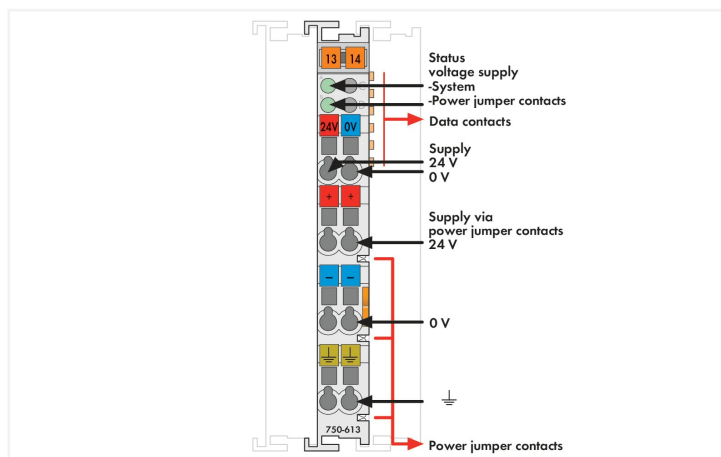
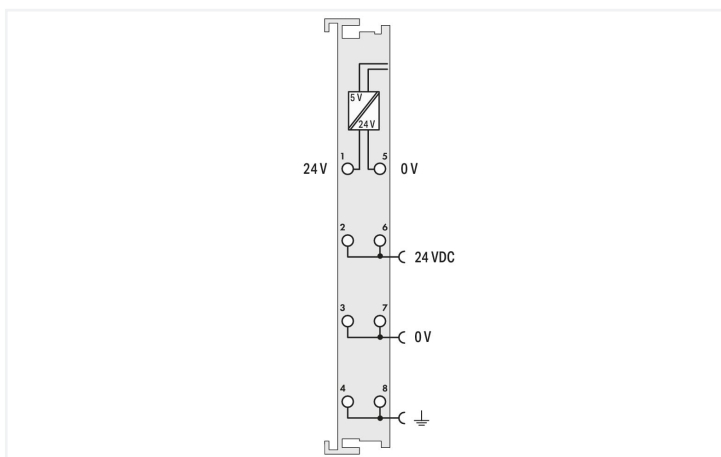
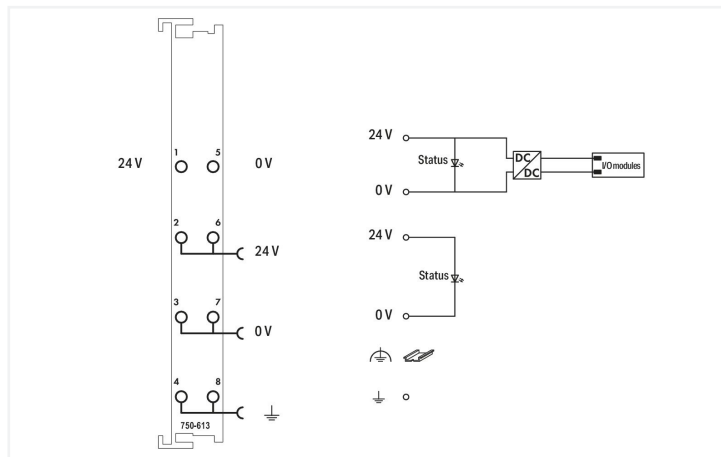




Color: ■ light gray



This internal system supply module increases the capacity of the system supply by 2 A for fieldbus nodes with high current requirements (sum of the internal current consumption of the I/O modules).

If required, additional system supply modules with bus power supply can be used.

The module also supplies field-side power to the adjacent modules via the power jumper contacts.

| Technical data | |
|---|--|
| Signal type | Voltage |
| Signal type (voltage) | 24 VDC |
| Supply voltage (system) | 24 VDC (-25 ... +30 %); via pluggable connector (CAGE CLAMP® connection) |
| Total current (system supply) | 2000 mA |
| Supply voltage (field) | 24 VDC (-25 ... +30 %); Via power jumper contacts (power supply via CAGE CLAMP® connection; transmission via spring contact) |
| Input current (typ.) at nominal load (24 V) | 500 mA |
| Power supply efficiency (typ.) at nominal load (24 V) | 90 % |
| Isolation | 500 V system/field |
| Indicators | LED (A, B) green: operating voltage status: system, power jumper contacts |
| Number of outgoing power jumper contacts | 3 |
| Current carrying capacity (power jumper contacts) | 10 A |

Connection data

| | |
|--------------------------------------|--|
| Connection technology: field supply | 6 x CAGE CLAMP® |
| Connection technology: system supply | 2 x CAGE CLAMP® |
| Connection type 1 | System/field supply |
| Solid conductor | 0.08 ... 2.5 mm ² / 28 ... 14 AWG |
| Fine-stranded conductor | 0.08 ... 2.5 mm ² / 28 ... 14 AWG |
| Strip length | 8 ... 9 mm / 0.31 ... 0.35 inches |

Physical data

| | |
|-----------------------------------|------------------------|
| Width | 12 mm / 0.472 inches |
| Height | 100 mm / 3.937 inches |
| Depth | 69.8 mm / 2.748 inches |
| Depth from upper-edge of DIN-rail | 62.6 mm / 2.465 inches |

Mechanical data

| | |
|---------------|-------------|
| Mounting type | DIN-35 rail |
|---------------|-------------|

Material data

| | |
|--------------------|------------------------------|
| Color | light gray |
| Housing material | Polycarbonate; polyamide 6.6 |
| Fire load | 1.536 MJ |
| Weight | 55 g |
| Conformity marking | CE |

Environmental requirements

| | |
|--|---------------------------------------|
| Ambient temperature (operation) | 0 ... +55 °C |
| Ambient temperature (storage) | -40 ... +85 °C |
| Protection type | IP20 |
| Pollution degree | 2 per IEC 61131-2 |
| Operating altitude | 0 ... 2000 m / 0 ... 6562 ft |
| Mounting position | horizontal (standing/lying); vertical |
| Relative humidity (without condensation) | 95 % |
| Vibration resistance | 4g per IEC 60068-2-6 |
| Shock resistance | 15g per IEC 60068-2-27 |
| EMC immunity to interference | per EN 61000-6-2, marine applications |
| EMC emission of interference | per EN 61000-6-4, marine applications |
| Exposure to pollutants | per IEC 60068-2-42 and IEC 60068-2-43 |
| Permissible H ₂ S contaminant concentration at a relative humidity 75 % | 10 ppm |
| Permissible SO ₂ contaminant concentration at a relative humidity 75 % | 25 ppm |

Commercial data

| | |
|-----------------------|-----------------|
| Product Group | 15 (I/O System) |
| eCl@ss 10.0 | 27-24-26-10 |
| eCl@ss 9.0 | 27-24-26-10 |
| ETIM 8.0 | EC001600 |
| ETIM 7.0 | EC001600 |
| PU (SPU) | 1 pcs |
| Packaging type | Box |
| Country of origin | DE |
| GTIN | 4045454393823 |
| Customs tariff number | 85389091890 |

Environmental Product Compliance

| | |
|---|--|
| CAS-No. | 11120-22-2 12060-00-3 1303-86-2 1317-36-8 7439-92-1 79-94-7 |
| REACH Candidate List Substance | 2,2',6,6'-tetrabromo-4,4'-isopropylidenediphenol Diboron trioxide Lead Lead monoxide Lead silicate Lead titanium oxide (PbTiO3) |
| RoHS Compliance Status | Compliant,With Exemption |
| RoHS Exemption | 6(c) 7(a) 7(c)-I 7(c)-II |
| SCIP notification number (Austria) | 4b470f9f-363b-47f8-bcb5-d064fad8d40d |
| SCIP notification number (Belgium) | d551d1d7-2779-4755-93c5-f5272ebd9689 |
| SCIP notification number (Bulgaria) | c9b90f48-c283-4324-a809-ea1ecafa6ad6 |
| SCIP notification number (Czech Republic) | e5545aeb-852b-44da-9986-f236e0e87b01 |
| SCIP notification number (Denmark) | dfd32358-4d98-4075-bdc1-3e9d9741770f |
| SCIP notification number (Finland) | 40a53a1a-9ff0-49b9-be34-99fd421b1f56 |
| SCIP notification number (France) | 8bc67325-86e8-444c-a176-604b438398a4 |
| SCIP notification number (Germany) | da4fb7a6-5a13-412c-be57-3bcc74fe98a7 |
| SCIP notification number (Hungary) | 752dce07-e549-4ea5-8944-c2c6f8f3cac3 |
| SCIP notification number (Italy) | 94951cab-363c-448e-b442-b7f70df5c9b8 |
| SCIP notification number (Netherlands) | dfcd5a2e-7f70-4479-bed4-c4d8d20f44fa |
| SCIP notification number (Poland) | 1835a69a-a0f9-43df-b696-6a1b45fe5690 |
| SCIP notification number (Romania) | ed10644a-822a-4837-904d-2f714f9239d2 |
| SCIP notification number (Sweden) | 90842d3b-d570-4d2b-82e7-187d29460397 |

Approvals / Certificates

General approvals

Declarations of conformity and manufacturer's declarations



| Approval | Standard | Certificate Name |
|---|------------------------|---------------------------------|
| EAC Brjansker Zertifizierungsstelle | TP TC 020/2011 | EAC RU C-DE.AM02. B.00087/19 |
| KC National Radio Research Agency | Article 58-2, Clause 3 | MSIP-REM-W43-SPP750 |
| UL Underwriters Laboratories Inc. (ORDINARY LOCATIONS) | UL 508 | E175199 Sec.1 |

| Approval | Standard | Certificate Name |
|--|----------|------------------|
| EU-Declaration of Conformity WAGO GmbH & Co. KG | - | - |
| UK-Declaration of Conformity WAGO GmbH & Co. KG | - | - |

Approvals for marine applications

Approvals for marine applications



| Approval | Standard | Certificate Name |
|------------------------------------|----------|------------------|
| ABS American Bureau of Shipping | - | 22-2219060 |

| | | |
|---|----------------------|-------------------|
| BSH Bundesamt fuer Seeschifffahrt und Hydrographie | - | 1104 |
| BV Bureau Veritas S.A. | - | 13453/E0 BV |
| DNV DNV GL SE | DNV-CG-0339,Aug.2021 | TAA0000194 |
| KR Korean Register of Shipping | - | KR HMB05880-AC001 |

| Approvals for marine applications | | |
|-----------------------------------|---|-------------------|
| LR Lloyds Register EMEA | - | LR22180952TA |
| PRS Polski Rejestr Statków | - | TE/2236/880590/19 |
| RINA RINA Germany GmbH | - | ELE343521XG001 |

| Approvals for hazardous areas | | |
|--|------------------------------|--|
| | | |
| Approval | Standard | Certificate Name |
| ATEX TUEV Nord Cert GmbH | EN 60079-0 | TUEV14ATEX148929X (II 3 G Ex ec IIC T4 Gc) |
| CCCEX CQST/CNEx | CNCA-C23-01 | 2020312310000213 (Ex ec IIC T4 Gc) |
| EAC Brjansker Zertifizierungsstelle | TP TC 012/2011 | EAC RU C-DE.AM02.B.00163/19 (2Ex nA IIC T4 Gc X) |
| IECEX TUEV Nord Cert GmbH | IEC 60079-0 | IECEX TUN 14.0035 X (Ex ec IIC T4 Gc) |
| INMETRO TÜV Rheinland do Brasil Ltda. | IEC 60079-0 | BR-Ex_TÜV 12.1297 X |
| KTL Korea Testing Laboratory | KOSHA Article 34, IEC60079-0 | 20-KA4BO-0096X |
| UKEx WAGO GmbH & Co. KG | EN 60079-0 | UKCA_WA GO22UKEX003X_ec |
| UL Underwriters Laboratories Inc. (HAZARDOUS LOCATIONS) | UL 121201 | E198726 Sec.1 |

Downloads

Environmental Product Compliance

| Compliance Search | |
|--|-------------------|
| Environmental Product Compliance 750-613 | ↓ |

Documentation

| Manual | | | |
|---------------------------------------|-----------------------|-------------------|-------------------|
| Product Manual Bus power supply | V 1.1.0 | pdf 2036.94 KB | ↓ |
| System Manual WAGO I/O System 750/753 | V 3.3.3 29.08.2023 | pdf 8512.61 KB | ↓ |
| System Manual Series 750/753 | | | ↓ |

| System Description | | |
|---|------------------|-------------------|
| 750/753 Series I/O-System – General Product Information | pdf 953.35 KB | ↓ |
| Overview on WAGO-I/O-SYSTEM 750 approvals | pdf 770.48 KB | ↓ |

| Bid Text | | | |
|-------------------------|------------|-----------------|-------------------|
| 750-613 | 19.02.2019 | xml 3.75 KB | ↓ |
| 750-613 | 06.10.2017 | doc 25.00 KB | ↓ |
| ausschreiben.de 750-613 | | | ↓ |

| Instruction Leaflet | | | |
|---------------------------------|------------|------------------|-------------------|
| CCC Ex (Additional information) | 26.04.2023 | pdf 159.76 KB | ↓ |

CAD/CAE-Data

| CAD data | CAE data |
|----------------------|---------------------------|
| 2D/3D Models 750-613 | EPLAN Data Portal 750-613 |
| | WSCAD Universe 750-613 |
| | ZUKEN Portal 750-613 |

Device Files

| Device Driver | | | |
|--|-----------------------|-------------------|--|
| WAGO USB Service Kabel Treiber / Serie 750 und 857 | 6.5.3.0 10.09.2014 | zip 4721.96 KB | |

1 Compatible Products

1.1 Optional Accessories

1.1.1 DIN-rail

1.1.1.1 Mounting accessories



Item No.: 210-196

Aluminum carrier rail; 35 x 8.2 mm; 1.6 mm thick; 2 m long; unslotted; similar to EN 60715; silver-colored



Item No.: 210-198

Copper carrier rail; 35 x 15 mm; 2.3 mm thick; 2 m long; unslotted; according to EN 60715; copper-colored



Item No.: 210-508

Steel carrier rail; 35 x 15 mm; 1.5 mm thick; 2 m long; slotted; galvanized; similar to EN 60715; silver-colored



Item No.: 210-197

Steel carrier rail; 35 x 15 mm; 1.5 mm thick; 2 m long; slotted; similar to EN 60715; silver-colored



Item No.: 210-506

Steel carrier rail; 35 x 15 mm; 1.5 mm thick; 2 m long; unslotted; galvanized; similar to EN 60715; silver-colored



Item No.: 210-114

Steel carrier rail; 35 x 15 mm; 1.5 mm thick; 2 m long; unslotted; similar to EN 60715; silver-colored



Item No.: 210-118

Steel carrier rail; 35 x 15 mm; 2.3 mm thick; 2 m long; unslotted; according to EN 60715; silver-colored



Item No.: 210-115

Steel carrier rail; 35 x 7.5 mm; 1 mm thick; 2 m long; slotted; according to EN 60715; "Hole width 18 mm; silver-colored



Item No.: 210-112

Steel carrier rail; 35 x 7.5 mm; 1 mm thick; 2 m long; slotted; according to EN 60715; "Hole width 25 mm; silver-colored



Item No.: 210-504

Steel carrier rail; 35 x 7.5 mm; 1 mm thick; 2 m long; slotted; galvanized; according to EN 60715; silver-colored



Item No.: 210-113

Steel carrier rail; 35 x 7.5 mm; 1 mm thick; 2 m long; unslotted; according to EN 60715; silver-colored



Item No.: 210-505

Steel carrier rail; 35 x 7.5 mm; 1 mm thick; 2 m long; unslotted; galvanized; according to EN 60715; silver-colored

1.1.2 Marking

1.1.2.1 Group marker carrier



Item No.: 750-106

Group marker carrier

1.1.2.2 Marker



Item No.: 750-100
Marker card; as a DIN A4 sheet; plain

Item No.: 2009-145/000-006
Mini-WSB Inline; for Smart Printer; 1700 pieces on roll; stretchable 5 - 5.2 mm; plain; snap-on type; blue

Item No.: 2009-145/000-007
Mini-WSB Inline; for Smart Printer; 1700 pieces on roll; stretchable 5 - 5.2 mm; plain; snap-on type; gray

Item No.: 2009-145/000-023
Mini-WSB Inline; for Smart Printer; 1700 pieces on roll; stretchable 5 - 5.2 mm; plain; snap-on type; green



Item No.: 2009-145/000-012
Mini-WSB Inline; for Smart Printer; 1700 pieces on roll; stretchable 5 - 5.2 mm; plain; snap-on type; orange

Item No.: 2009-145/000-005
Mini-WSB Inline; for Smart Printer; 1700 pieces on roll; stretchable 5 - 5.2 mm; plain; snap-on type; red

Item No.: 2009-145/000-024
Mini-WSB Inline; for Smart Printer; 1700 pieces on roll; stretchable 5 - 5.2 mm; plain; snap-on type; violet

Item No.: 2009-145
Mini-WSB Inline; for Smart Printer; 1700 pieces on roll; stretchable 5 - 5.2 mm; plain; snap-on type; white



Item No.: 2009-145/000-002
Mini-WSB Inline; for Smart Printer; 1700 pieces on roll; stretchable 5 - 5.2 mm; plain; snap-on type; yellow

Item No.: 248-501/000-006
Mini-WSB marking card; as card; not stretchable; plain; snap-on type; blue

Item No.: 248-501/000-007
Mini-WSB marking card; as card; not stretchable; plain; snap-on type; gray

Item No.: 248-501/000-023
Mini-WSB marking card; as card; not stretchable; plain; snap-on type; green



Item No.: 248-501/000-017
Mini-WSB marking card; as card; not stretchable; plain; snap-on type; light green

Item No.: 248-501/000-012
Mini-WSB marking card; as card; not stretchable; plain; snap-on type; orange

Item No.: 248-501/000-005
Mini-WSB marking card; as card; not stretchable; plain; snap-on type; red

Item No.: 248-501/000-024
Mini-WSB marking card; as card; not stretchable; plain; snap-on type; violet



Item No.: 248-501
Mini-WSB marking card; as card; not stretchable; plain; snap-on type; white

Item No.: 248-501/000-002
Mini-WSB marking card; as card; not stretchable; plain; snap-on type; yellow

1.1.2.3 Marker carrier



Item No.: 750-103
Group marker carrier

1.1.3 Shield termination

1.1.3.1 Shield clamping saddles



Item No.: 790-108
Shield clamping saddle; 11 mm wide; diameter of compatible conductor; 3 ... 8 mm



Item No.: 790-208
Shield clamping saddle; 12.4 mm wide; 3 ... 8 mm



Item No.: 790-116
Shield clamping saddle; 19 mm wide; diameter of compatible conductor; 7 ... 16 mm



Item No.: 790-216
Shield clamping saddle; 21.8 mm wide; 6 ... 16 mm



Item No.: 790-124
Shield clamping saddle; 27 mm wide; diameter of compatible conductor; 6 ... 24 mm



Item No.: 790-220
Shield clamping saddle; 30 mm wide; 6 ... 20 mm



Item No.: 790-140
Shield clamping saddle; diameter of compatible conductor

1.1.4 System enclosure

1.1.4.1 System enclosure



Item No.: 850-825

IP65 enclosure; Aluminium (RAL 7032); WxHxD (160x100x160 mm); 9 x M12, 4 x M20



Item No.: 850-826

IP65 enclosure; Aluminium (RAL 7032); WxHxD (240x100x160 mm); 4 x M20, 4 x M16, 14 x M12 cable grip



Item No.: 850-827

IP65 enclosure; Aluminium (RAL 7032); WxHxD (320x100x160 mm); 4 x M20, 8 x M16, 17 x M12 cable grip



Item No.: 850-828

IP65 enclosure; Aluminium (RAL 7032); WxHxD (480x100x160 mm); 4 x M20, 10 x M16, 35 x M12 cable grip



Item No.: 850-826/002-000

IP65 enclosure; Aluminium (RAL 7035); WxHxD (240x100x160 mm); 4 x M20, 4 x M16, 14 x M12 cable grip



Item No.: 850-827/002-000

IP65 enclosure; Aluminium (RAL 7035); WxHxD (320x100x160 mm); 4 x M20, 8 x M16, 17 x M12 cable grip



Item No.: 850-828/002-000

IP65 enclosure; Aluminium (RAL 7035); WxHxD (480x100x160 mm); 4 x M20, 10 x M16, 35 x M12 cable grip



Item No.: 850-834

IP65 enclosure; Polyester (RAL 7032); WxHxD (164x100x164 mm); 9 x M12, 4 x M20



Item No.: 850-835

IP65 enclosure; Polyester (RAL 7032); WxHxD (244x100x164 mm); 4 x M20, 4 x M16, 14 x M12 cable grip



Item No.: 850-836

IP65 enclosure; Polyester (RAL 7032); WxHxD (324x100x164 mm); 4 x M20, 8 x M16, 17 x M12 cable grip



Item No.: 850-814/002-000

IP65 enclosure; Sheet steel (RAL 7035); WxHxD (200x120x200 mm); without flange plate



Item No.: 850-815/002-000

IP65 enclosure; Sheet steel (RAL 7035); WxHxD (300x120x200 mm); without flange plate



Item No.: 850-816/002-000

IP65 enclosure; Sheet steel (RAL 7035); WxHxD (400x120x200 mm); without flange plate



Item No.: 850-817/002-000

IP65 enclosure; Sheet steel (RAL 7035); WxHxD (600x120x200 mm); without flange plate