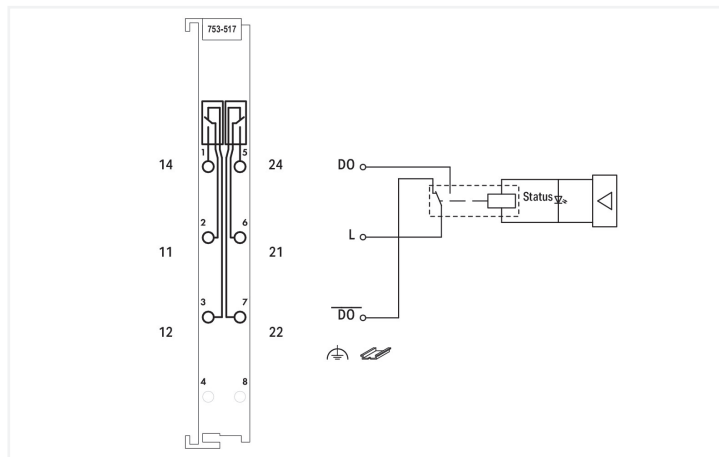
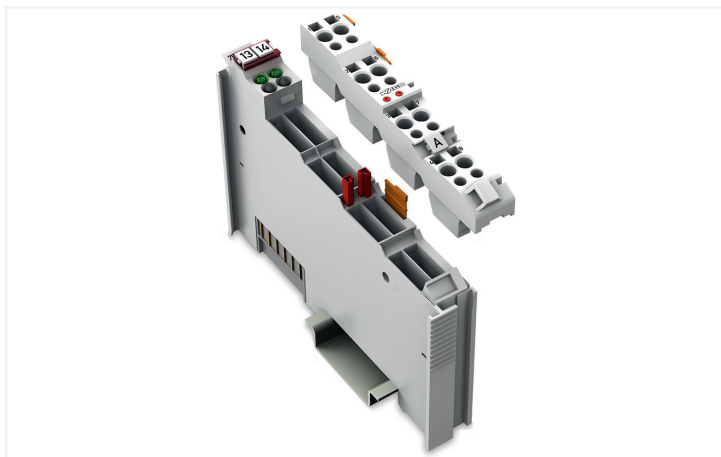


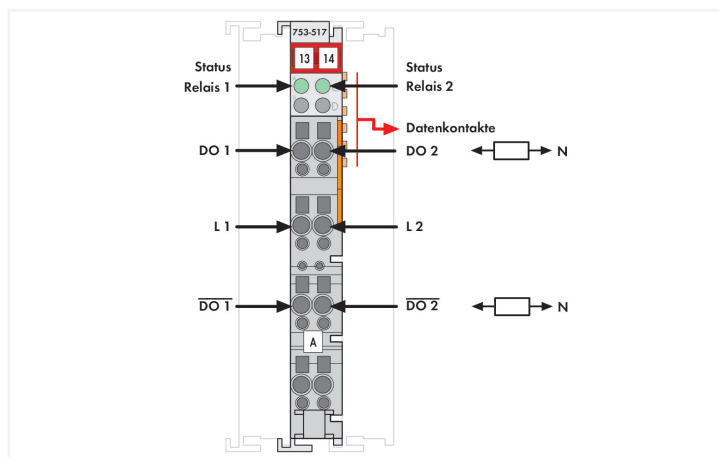
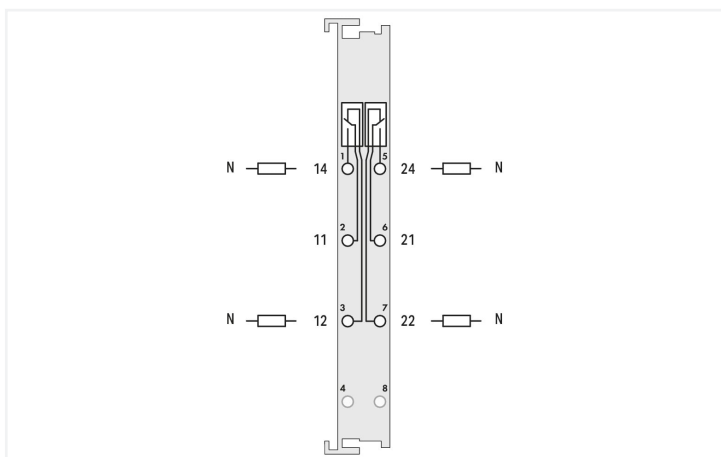
Data Sheet | Item Number: 753-517

2-channel relay output; AC 250 V; 1 A; Potential-free; 2 changeover contacts

<https://www.wago.com/753-517>



Color: ■ light gray



This digital output module transmits control signals from the automation device to the connected actuators. The internal system voltage triggers the relay. The NO contacts are electrically isolated. The state of the relay is indicated by a LED.

Notes

Note Pluggable connectors and coding fingers (753 Series) are not included.

Technical data

| | |
|-----------------------------------|--|
| Number of digital outputs | 2 |
| Total number of channels (module) | 2 |
| Signal type | Digital |
| Actuator connection | 2 x (1-wire) |
| Output circuit design | 2 changeover contacts Relay |
| Output characteristic | potential-free |
| Switching frequency (max.) | 0.1 Hz; Nominal load |
| Switching voltage (max.) | 250 VAC, 300 VDC |
| Switching current (max.) | 1 A |
| Switching current (note) | 1 A at 250 VAC and 40 VDC; 0.15 A at 300 VDC |
| Switching voltage (min.) | 12 V |
| Switching current (min.) | 100 mA |
| Pull-in time (max.) | 8 ms |
| Drop-out time (max.) | 4 ms |

Technical data

| | |
|---|---|
| Electrical switching operations (min.) (at max. resistive load) | 1 x 10 ⁶ switching operations |
| Mechanical switching operations (min.) (at max. resistive load) | 5 x 10 ⁶ switching operations |
| Output data width (internal) max. | 2 bits |
| Supply voltage (system) | 5 VDC; via data contacts |
| Current consumption (5 V system supply) | 90 mA |
| Isolation | 1500 V (system/field) |
| Indicators | LED (A, C) green: Status relay 1, relay 2 |

Connection data

| | |
|---------------------------------------|--|
| Connection technology: inputs/outputs | 8 x CAGE CLAMP® |
| Connection type 1 | Inputs/outputs |
| Solid conductor | 0.08 ... 2.5 mm ² / 28 ... 14 AWG |
| Fine-stranded conductor | 0.08 ... 2.5 mm ² / 28 ... 14 AWG |
| Strip length | 9 ... 10 mm / 0.35 ... 0.39 inches |

Physical data

| | |
|-----------------------------------|------------------------|
| Width | 12 mm / 0.472 inches |
| Height | 100 mm / 3.937 inches |
| Depth | 69.8 mm / 2.748 inches |
| Depth from upper-edge of DIN-rail | 62.6 mm / 2.465 inches |

Mechanical data

| | |
|---------------------|-------------|
| Mounting type | DIN-35 rail |
| Pluggable connector | pluggable |

Material data

| | |
|--------------------|------------------------------|
| Color | light gray |
| Contact material | Ag alloy |
| Housing material | Polycarbonate; polyamide 6.6 |
| Fire load | 1.383 MJ |
| Weight | 60 g |
| Conformity marking | CE |

Environmental requirements

| | |
|--|---------------------------------------|
| Ambient temperature (operation) | 0 ... +55 °C |
| Ambient temperature (storage) | -40 ... +85 °C |
| Protection type | IP20 |
| Pollution degree | 2 per IEC 61131-2 |
| Operating altitude | 0 ... 2000 m / 0 ... 6562 ft |
| Mounting position | horizontal (standing/lying); vertical |
| Relative humidity (without condensation) | 95 % |
| Vibration resistance | 4g per IEC 60068-2-6 |
| Shock resistance | 15g per IEC 60068-2-27 |
| EMC immunity to interference | per EN 61000-6-2, marine applications |
| EMC emission of interference | per EN 61000-6-4, marine applications |
| Exposure to pollutants | per IEC 60068-2-42 and IEC 60068-2-43 |
| Permissible H ₂ S contaminant concentration at a relative humidity 75 % | 10 ppm |
| Permissible SO ₂ contaminant concentration at a relative humidity 75 % | 25 ppm |

Commercial data

| | |
|-----------------------|-----------------|
| Product Group | 15 (I/O System) |
| eCl@ss 10.0 | 27-24-26-04 |
| eCl@ss 9.0 | 27-24-26-04 |
| ETIM 8.0 | EC001599 |
| ETIM 7.0 | EC001599 |
| PU (SPU) | 1 pcs |
| Packaging type | Box |
| Country of origin | DE |
| GTIN | 4045454394561 |
| Customs tariff number | 85371098990 |

Environmental Product Compliance

| | |
|---|---|
| CAS-No. | 1303-86-2 1317-36-8 7439-92-1 |
| REACH Candidate List Substance | Diboron trioxide Lead Lead monoxide |
| RoHS Compliance Status | Compliant,With Exemption |
| RoHS Exemption | 6(c) 7(a) 7(c)-I 7(c)-II |
| SCIP notification number (Austria) | 9f21c02a-7898-4a84-a42e-7f5a23abd0e6 |
| SCIP notification number (Belgium) | b046f76f-a065-4ffa-9290-c7b87528ddde |
| SCIP notification number (Bulgaria) | e2e8ed90-287a-4f86-8eda-665e88296a98 |
| SCIP notification number (Czech Republic) | 0a6c7ccf-2f05-48b4-806c-39b1879f9d68 |
| SCIP notification number (Denmark) | 3f56e7e1-1e7a-4ade-a771-1c8df9f47adf |
| SCIP notification number (Finland) | 3c598c87-a25c-49a6-9283-78b983e74585 |
| SCIP notification number (France) | 8041d19c-2ea5-41bd-8ee7-d75919a6ae24 |
| SCIP notification number (Germany) | 16dedffd-cc86-489e-a884-89f258f0eded |
| SCIP notification number (Hungary) | c4f9d646-da3c-40e6-b722-ecdd98f56442 |
| SCIP notification number (Italy) | 0e705e4e-e225-45ad-82e4-689e53391725 |
| SCIP notification number (Netherlands) | 1b13a201-7823-4796-a0a3-5feb6799aae2 |
| SCIP notification number (Poland) | dbf9204b-9240-4e06-9c47-6b364fd47cbd |
| SCIP notification number (Romania) | 6c8f4bcc-c9ca-4208-bdd0-0b92b96849a8 |
| SCIP notification number (Sweden) | 9b1fad69-00f0-40c8-8b58-c76bd08b8099 |

Approvals / Certificates

General approvals



| Approval | Standard | Certificate Name |
|--|------------------------|---------------------------------|
| EAC Brjansker Zertifizierungsstelle | TP TC 020/2011 | EAC RU C-DE.AM02. B.00087/19 |
| KC National Radio Research Agency | Article 58-2, Clause 3 | MSIP-REM-W43-DOM750 |

Declarations of conformity and manufacturer's declarations

| Approval | Standard | Certificate Name |
|--|----------|------------------|
| EU-Declaration of Conformity WAGO GmbH & Co. KG | - | - |
| UK-Declaration of Conformity WAGO GmbH & Co. KG | - | - |

Approvals for marine applications



| Approval | Standard | Certificate Name |
|---|------------------------|-------------------|
| ABS American Bureau of Shipping | - | 22-2219060 |
| BSH Bundesamt fuer Seeschifffahrt und Hydrographie | - | 1104 |
| BV Bureau Veritas S.A. | - | 13453/E0 BV |
| DNV DNV GL SE | DNV-CG-0339, Aug. 2021 | TAA0000194 |
| KR Korean Register of Shipping | - | KR HMB05880-AC001 |
| LR Lloyds Register EMEA | - | LR22180952TA |
| PRS Polski Rejestr Statków | - | TE/2236/880590/19 |
| RINA RINA Germany GmbH | - | ELE343521XG001 |

Approvals for hazardous areas



| Approval | Standard | Certificate Name |
|--|----------------|--|
| ATEX TUEV Nord Cert GmbH | EN 60079-0 | TUEV14ATEX148929X (II 3 G Ex ec IIC T4 Gc) |
| CCC CNEC | CNCA-C23-01 | 2020312310000213 (Ex ec nC IIC T4 Gc) |
| EAC Brjansker Zertifizierungsstelle | TP TC 012/2011 | EAC RU C-DE.AM02.B.00163/19 (2Ex nA IIC T4 Gc X) |
| IECEX TUEV Nord Cert GmbH | IEC 60079-0 | IECEX TUN 14.0035 X (Ex ec IIC T4 Gc) |
| INMETRO TUV Rheinland do Brasil Ltda. | IEC 60079-0 | BR-Ex_TUV 12.1297 X |
| UKEx WAGO GmbH & Co. KG | EN 60079-0 | UKCA_WA-GO22UKEX003X_ec nC |
| UL Underwriters Laboratories Inc. (HAZARDOUS LOCATIONS) | UL 121201 | E198726 Sec.1 |

Downloads

Environmental Product Compliance

| Compliance Search |
|--|
| Environmental Product Compliance 753-517 ↓ |

Documentation

| Manual | | | |
|---------------------------------------|-----------------------|-------------------|-------------------|
| Product Manual 2-channel, 230VAC, 1A | V 1.1.3 | pdf 2321.01 KB | ↓ |
| System Manual WAGO I/O System 750/753 | V 3.3.3 29.08.2023 | pdf 8512.61 KB | ↓ |
| System Manual Series 750/753 | | | ↓ |

| System Description | | | |
|---|--|------------------|-------------------|
| 750/753 Series I/O-System – General Product Information | | pdf 953.35 KB | ↓ |
| Overview on WAGO-I/O-SYSTEM 750 approvals | | pdf 770.48 KB | ↓ |

| Bid Text | | | |
|----------|------------|-----------------|-------------------|
| 753-517 | 19.02.2019 | xml 4.77 KB | ↓ |
| 753-517 | 12.07.2017 | doc 29.00 KB | ↓ |

| Instruction Leaflet | | | |
|---------------------------------|------------|------------------|-------------------|
| CCC Ex (Additional information) | 26.04.2023 | pdf 159.76 KB | ↓ |

CAD/CAE-Data

| CAD data | CAE data |
|----------------------|---------------------------|
| 2D/3D Models 753-517 | EPLAN Data Portal 753-517 |
| | WSCAD Universe 753-517 |
| | ZUKEN Portal 753-517 |

1 Compatible Products

1.1 Required Accessories

1.1.1 Pluggable connector

1.1.1.1 Male connector/plug



[Item No.: 753-110](#)

Plug

1.2 Optional Accessories

1.2.1 DIN-rail

1.2.1.1 Mounting accessories



[Item No.: 210-196](#)

Aluminum carrier rail; 35 x 8.2 mm; 1.6 mm thick; 2 m long; unslotted; similar to EN 60715; silver-colored



[Item No.: 210-198](#)

Copper carrier rail; 35 x 15 mm; 2.3 mm thick; 2 m long; unslotted; according to EN 60715; copper-colored



[Item No.: 210-508](#)

Steel carrier rail; 35 x 15 mm; 1.5 mm thick; 2 m long; slotted; galvanized; similar to EN 60715; silver-colored



[Item No.: 210-197](#)

Steel carrier rail; 35 x 15 mm; 1.5 mm thick; 2 m long; slotted; similar to EN 60715; silver-colored



[Item No.: 210-506](#)

Steel carrier rail; 35 x 15 mm; 1.5 mm thick; 2 m long; unslotted; galvanized; similar to EN 60715; silver-colored



[Item No.: 210-114](#)

Steel carrier rail; 35 x 15 mm; 1.5 mm thick; 2 m long; unslotted; similar to EN 60715; silver-colored



[Item No.: 210-118](#)

Steel carrier rail; 35 x 15 mm; 2.3 mm thick; 2 m long; unslotted; according to EN 60715; silver-colored



[Item No.: 210-115](#)

Steel carrier rail; 35 x 7.5 mm; 1 mm thick; 2 m long; slotted; according to EN 60715; "Hole width 18 mm; silver-colored



[Item No.: 210-112](#)

Steel carrier rail; 35 x 7.5 mm; 1 mm thick; 2 m long; slotted; according to EN 60715; "Hole width 25 mm; silver-colored



[Item No.: 210-504](#)

Steel carrier rail; 35 x 7.5 mm; 1 mm thick; 2 m long; slotted; galvanized; according to EN 60715; silver-colored



[Item No.: 210-113](#)

Steel carrier rail; 35 x 7.5 mm; 1 mm thick; 2 m long; unslotted; according to EN 60715; silver-colored



[Item No.: 210-505](#)

Steel carrier rail; 35 x 7.5 mm; 1 mm thick; 2 m long; unslotted; galvanized; according to EN 60715; silver-colored

1.2.2 Marking

1.2.2.1 Group marker carrier



[Item No.: 750-106](#)

Group marker carrier

1.2.2.2 Marker



Item No.: 750-100
Marker card; as a DIN A4 sheet; plain

Item No.: 2009-145/000-006
Mini-WSB Inline; for Smart Printer; 1700 pieces on roll; stretchable 5 - 5.2 mm; plain; snap-on type; blue

Item No.: 2009-145/000-007
Mini-WSB Inline; for Smart Printer; 1700 pieces on roll; stretchable 5 - 5.2 mm; plain; snap-on type; gray

Item No.: 2009-145/000-023
Mini-WSB Inline; for Smart Printer; 1700 pieces on roll; stretchable 5 - 5.2 mm; plain; snap-on type; green

Item No.: 2009-145/000-012
Mini-WSB Inline; for Smart Printer; 1700 pieces on roll; stretchable 5 - 5.2 mm; plain; snap-on type; orange

Item No.: 2009-145/000-005
Mini-WSB Inline; for Smart Printer; 1700 pieces on roll; stretchable 5 - 5.2 mm; plain; snap-on type; red

Item No.: 2009-145/000-024
Mini-WSB Inline; for Smart Printer; 1700 pieces on roll; stretchable 5 - 5.2 mm; plain; snap-on type; violet

Item No.: 2009-145
Mini-WSB Inline; for Smart Printer; 1700 pieces on roll; stretchable 5 - 5.2 mm; plain; snap-on type; white

Item No.: 2009-145/000-002
Mini-WSB Inline; for Smart Printer; 1700 pieces on roll; stretchable 5 - 5.2 mm; plain; snap-on type; yellow

Item No.: 248-501/000-006
Mini-WSB marking card; as card; not stretchable; plain; snap-on type; blue

Item No.: 248-501/000-007
Mini-WSB marking card; as card; not stretchable; plain; snap-on type; gray

Item No.: 248-501/000-023
Mini-WSB marking card; as card; not stretchable; plain; snap-on type; green



Item No.: 248-501/000-017
Mini-WSB marking card; as card; not stretchable; plain; snap-on type; light green

Item No.: 248-501/000-012
Mini-WSB marking card; as card; not stretchable; plain; snap-on type; orange

Item No.: 248-501/000-005
Mini-WSB marking card; as card; not stretchable; plain; snap-on type; red

Item No.: 248-501/000-024
Mini-WSB marking card; as card; not stretchable; plain; snap-on type; violet



Item No.: 248-501
Mini-WSB marking card; as card; not stretchable; plain; snap-on type; white

Item No.: 248-501/000-002
Mini-WSB marking card; as card; not stretchable; plain; snap-on type; yellow

1.2.2.3 Marker carrier



Item No.: 750-103
Group marker carrier

1.2.3 Pluggable connector

1.2.3.1 Coding



Item No.: 753-150
753 Series coding elements

1.2.4 Shield termination

1.2.4.1 Shield clamping saddles



Item No.: 790-108
Shield clamping saddle; 11 mm wide; diameter of compatible conductor; 3 ... 8 mm



Item No.: 790-208
Shield clamping saddle; 12.4 mm wide; 3 ... 8 mm



Item No.: 790-116
Shield clamping saddle; 19 mm wide; diameter of compatible conductor; 7 ... 16 mm



Item No.: 790-216
Shield clamping saddle; 21.8 mm wide; 6 ... 16 mm



Item No.: 790-124
Shield clamping saddle; 27 mm wide; diameter of compatible conductor; 6 ... 24 mm



Item No.: 790-220
Shield clamping saddle; 30 mm wide; 6 ... 20 mm



Item No.: 790-140
Shield clamping saddle; diameter of compatible conductor

1.2.5 System enclosure

1.2.5.1 System enclosure



Item No.: 850-825

IP65 enclosure; Aluminium (RAL 7032); WxHxD (160x100x160 mm); 9 x M12, 4 x M20



Item No.: 850-826

IP65 enclosure; Aluminium (RAL 7032); WxHxD (240x100x160 mm); 4 x M20, 4 x M16, 14 x M12 cable grip



Item No.: 850-827

IP65 enclosure; Aluminium (RAL 7032); WxHxD (320x100x160 mm); 4 x M20, 8 x M16, 17 x M12 cable grip



Item No.: 850-828

IP65 enclosure; Aluminium (RAL 7032); WxHxD (480x100x160 mm); 4 x M20, 10 x M16, 35 x M12 cable grip



Item No.: 850-826/002-000

IP65 enclosure; Aluminium (RAL 7035); WxHxD (240x100x160 mm); 4 x M20, 4 x M16, 14 x M12 cable grip



Item No.: 850-827/002-000

IP65 enclosure; Aluminium (RAL 7035); WxHxD (320x100x160 mm); 4 x M20, 8 x M16, 17 x M12 cable grip



Item No.: 850-828/002-000

IP65 enclosure; Aluminium (RAL 7035); WxHxD (480x100x160 mm); 4 x M20, 10 x M16, 35 x M12 cable grip



Item No.: 850-834

IP65 enclosure; Polyester (RAL 7032); WxHxD (164x100x164 mm); 9 x M12, 4 x M20



Item No.: 850-835

IP65 enclosure; Polyester (RAL 7032); WxHxD (244x100x164 mm); 4 x M20, 4 x M16, 14 x M12 cable grip



Item No.: 850-836

IP65 enclosure; Polyester (RAL 7032); WxHxD (324x100x164 mm); 4 x M20, 8 x M16, 17 x M12 cable grip



Item No.: 850-814/002-000

IP65 enclosure; Sheet steel (RAL 7035); WxHxD (200x120x200 mm); without flange plate



Item No.: 850-815/002-000

IP65 enclosure; Sheet steel (RAL 7035); WxHxD (300x120x200 mm); without flange plate



Item No.: 850-816/002-000

IP65 enclosure; Sheet steel (RAL 7035); WxHxD (400x120x200 mm); without flange plate



Item No.: 850-817/002-000

IP65 enclosure; Sheet steel (RAL 7035); WxHxD (600x120x200 mm); without flange plate