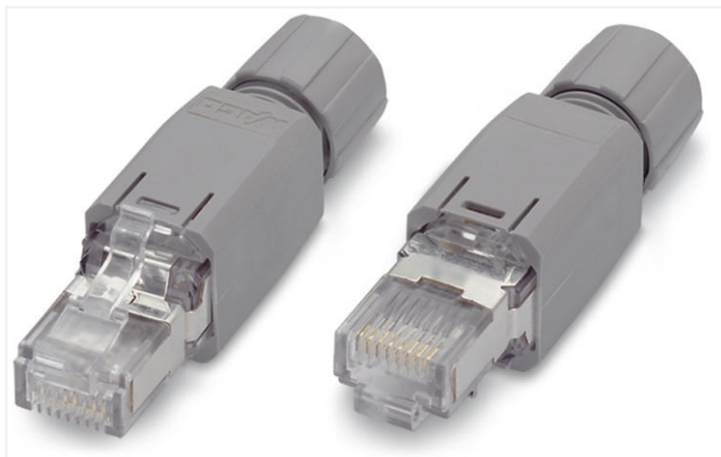


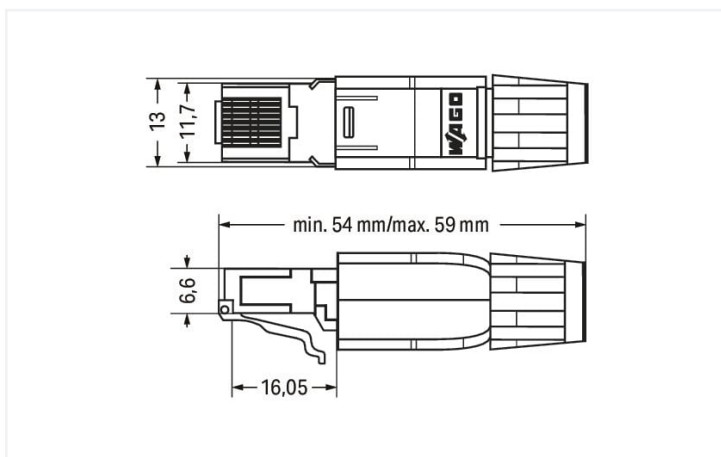
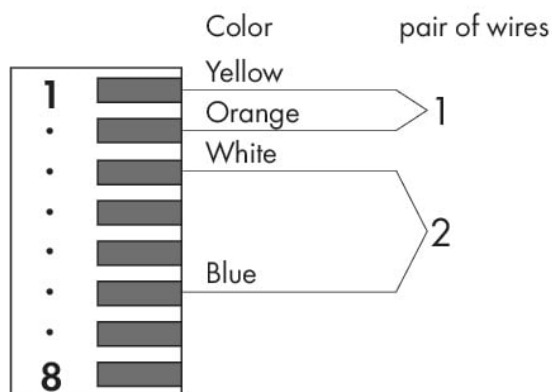
Data Sheet | Item Number: 750-976

PROFINET RJ-45 connector, IP20; ETHERNET 10/100 Mbit/s; for field assembly

<https://www.wago.com/750-976>



Pin assignment PROFINET



Dimensions in mm

Versatile RJ-45 connector for industrial, office and building wiring applications.

This compact RJ-45 PROFINET Connector uses IDC technology for easy field assembly.

Conductor termination is performed without any tools. The connector fulfills all required standards and connects both solid and stranded conductors. The connector complies with Category 5e.

Technical data

Connection type	RJ-45 plug
Pole number	8
Cable connection direction to mating direction	0°
Communication/fieldbus	PROFINET
Code	PROFINET
Baud rate	-
Insulation resistance	(100 V) > 1 GΩ
Contact resistance	(Wire – IDC) < 1 mΩ; (Strand – IDC) < 5 mΩ

Connection data

Connection type 1	IDC contact
Solid conductor	0.13 ... 0.24 mm ² / 26/1 ... 23/1 AWG
Stranded conductor 2	0.14 ... 0.36 mm ² / 26/7 ... 22/7 AWG

Physical data

Width	14 mm
Height	14 mm
Depth	59 mm

Mechanical data

Shield	Brass (CuZn); hot-dip tinned 3 µm; Shield contact: large surface >180°
Connection requirement (permissible cable type)	Cat. 5e
Connectable sheathed cable diameter	4.5 ... 8 mm
Housing material	Plastic
Contact material	Bronze (CuSn6)
Contact plating	> 1.2 µm gold over 1.2 µm nickel
Mating cycles (max.)	1000
Weight	13.4 g

Environmental requirements

Ambient temperature (operation)	-20 ... +70 °C
Ambient temperature (storage)	-40 ... +85 °C
Protection type	IP20
Relative humidity (without condensation)	95 %
Vibration resistance	4g per IEC 60068-2-6
Fire load	0 MJ
Standards/specifications	Basisnorm: IEC 60603-7 RJ-45 Category 5 CD ISO/IEC 11801: 2002 EN 50173: 2002

Commercial data

Product Group	15 (I/O System)
eCl@ss 10.0	27-24-26-92
eCl@ss 9.0	27-24-26-92
ETIM 8.0	EC002584
ETIM 7.0	EC002584
PU (SPU)	1 pcs
Packaging type	Box
Country of origin	CH
GTIN	4045454988173
Customs tariff number	85366990990

Environmental Product Compliance	
RoHS Compliance Status	Compliant, No Exemption

Approvals / Certificates

General approvals			Approvals for marine applications		
Approval	Standard	Certificate Name	Approval	Standard	Certificate Name
UL Underwriters Laboratories Inc.	UL 1977	E345416	ABS American Bureau of Shipping	-	22-2219060
			DNV DNV GL SE	DNV-CG-0339, Aug. 2021	TAA0000194
			LR Lloyds Register EMEA	-	LR22180952TA
			PRS Polski Rejestr Statków	-	TE/2236/880590/19
			RINA RINA Germany GmbH	-	ELE343521XG001

Downloads

Environmental Product Compliance	
Compliance Search	
Environmental Product Compliance 750-976	↓

Documentation

Manual				System Description			
System Manual WAGO I/O System 750/753	V 3.3.3 29.08.2023	pdf 8512.61 KB	↓	Overview on WAGO-I/O-SYSTEM 750 approvals	pdf 770.48 KB	↓	
Bid Text							
750-976	06.10.2017	doc 27.50 KB	↓				
750-976	19.02.2019	xml 5.29 KB	↓				

CAD/CAE-Data

CAE data

EPLAN Data Portal
750-976



WSCAD Universe
750-976

