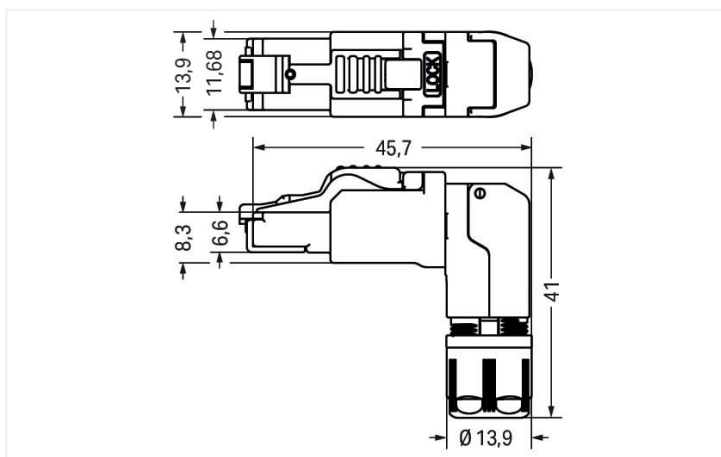
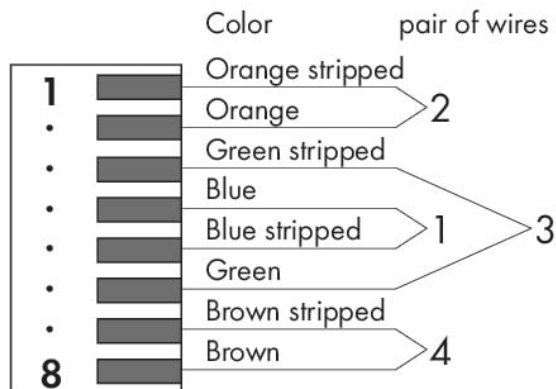




Pin assignment TIA-568B



Dimensions in mm

Technical data

Connection type	RJ-45 plug
Pole number	8
Cable connection direction to mating direction	90°
Cable connection direction (note)	Selectable position
Communication/fieldbus	ETHERNET
Code	TIA-568B
Baud rate	-

Connection data

Connection type 1	IDC contact
Solid conductor	0.21 ... 0.32 mm ² / 24/1 ... 22/1 AWG
Stranded conductor 2	0.11 ... 0.36 mm ² / 27/7 ... 22/7 AWG

Physical data

Width	13.9 mm
Height	41 mm
Depth	45.7 mm

Mechanical data

Connection requirement (permissible cable type)	Cat. 6A
Connectable sheathed cable diameter	5.5 ... 10 mm
Housing material	Zinc die casting
Weight	26 g

Environmental requirements

Ambient temperature (operation)	-40 ... +85 °C
Ambient temperature (storage)	-40 ... +85 °C
Protection type	IP20
Relative humidity (without condensation)	95 %
Fire load	0 MJ
Standards/specifications	IEC60603-7-51, ISO/IEC 11801, IEEE 802.3an EIA/TIA 568-C.2 DIN EN 50173-1 UL 1863 UL 2043

Commercial data

eCl@ss 10.0	27-24-26-92
eCl@ss 9.0	27-24-26-92
ETIM 8.0	EC001121
ETIM 7.0	EC001121
PU (SPU)	1 pcs
Packaging type	Bag
Country of origin	TW
GTIN	4055143586290
Customs tariff number	85366990990

Environmental Product Compliance

RoHS Compliance Status	Compliant, No Exemption
------------------------	-------------------------

Approvals / Certificates

General approvals



Approval	Standard	Certificate Name
UL Underwriters Laboratories Inc.	UL 1977	E345416



Downloads

Environmental Product Compliance

Compliance Search

Environmental Product
Compliance
750-979/000-012



Documentation

Manual

System Manual WAGO I/O System 750/753	V 3.3.3 29.08.2023	pdf 8512.61 KB
--	-----------------------	-------------------



Bid Text

750-979/000-012	19.02.2019	xml 3.79 KB	
750-979/000-012	06.10.2017	doc 25.00 KB	
ausschreiben.de 750-979/000-012			