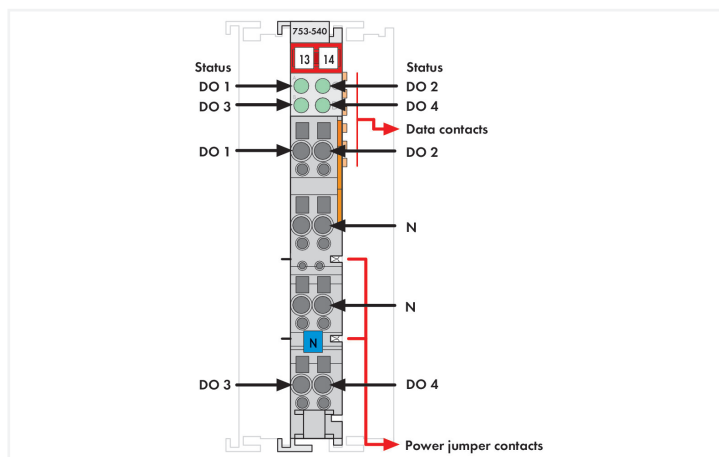
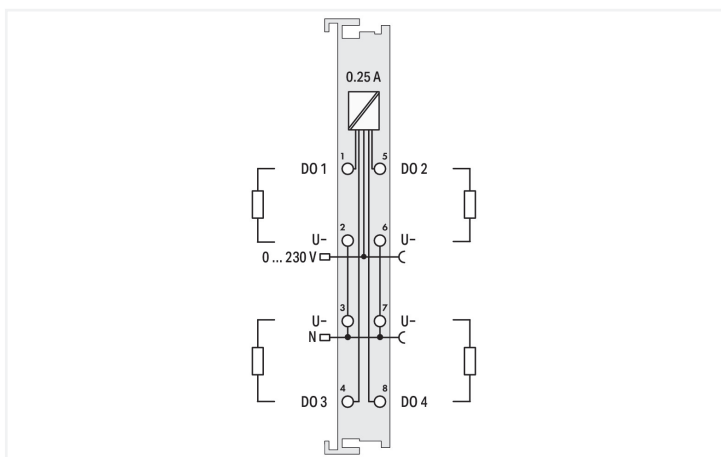
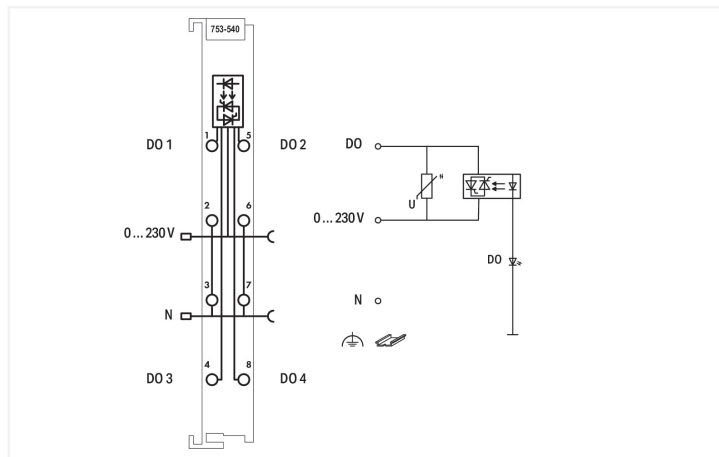


Color: ■ light gray



This digital output module transmits control signals from the automation device to the connected actuators. The module has four output channels and eight actuators may be connected to it. The signal state of the outputs is shown by an LED. Field and system levels are electrically isolated. **Notice:** An additional supply module must be added for 120 (230) VAC supply!

| Notes | |
|-------|--|
| Note | Pluggable connectors and coding fingers (753 Series) are not included. |

| Technical data | |
|-------------------------------------|---|
| Number of digital outputs | 4 |
| Total number of channels (module) | 4 |
| Signal type | Digital |
| Signal type (voltage) | 5 ... 250 VAC |
| Actuator connection | 4 x (2-wire) |
| Output characteristic | high-side switching |
| Output current per channel | 0.25 A |
| Output current | short-circuit-protected |
| Protection against incorrect wiring | Overvoltage protection (275 V) via varistor |
| Load type | Resistive, inductive |
| Short-circuit current | max. 10 A (16 ms) |
| ON voltage difference L-DO (max.) | 1.2 V |
| Pull-in time (max.) | 10 ms |
| Drop-out time (max.) | 10 ms |

Technical data

| | |
|---|--|
| Output data width (internal) max. | 4 bits |
| Supply voltage (system) | 5 VDC; via data contacts |
| Current consumption (5 V system supply) | 18 mA |
| Supply voltage (field) | 230 VAC; via power jumper contacts (power supply via blade contact; transmission via spring contact) |
| Isolation | 1500 V (system/field) |
| Indicators | LED (A-D) green: Status DO 1 ... DO 4 |
| Number of incoming power jumper contacts | 2 |
| Number of outgoing power jumper contacts | 2 |
| Current carrying capacity (power jumper contacts) | 10 A |

Connection data

| | |
|---------------------------------------|--|
| Connection technology: inputs/outputs | 8 x CAGE CLAMP® |
| Connection type 1 | Inputs/outputs |
| Solid conductor | 0.08 ... 2.5 mm ² / 28 ... 14 AWG |
| Fine-stranded conductor | 0.08 ... 2.5 mm ² / 28 ... 14 AWG |
| Strip length | 9 ... 10 mm / 0.35 ... 0.39 inches |

Physical data

| | |
|-----------------------------------|------------------------|
| Width | 12 mm / 0.472 inches |
| Height | 100 mm / 3.937 inches |
| Depth | 69.8 mm / 2.748 inches |
| Depth from upper-edge of DIN-rail | 62.6 mm / 2.465 inches |

Mechanical data

| | |
|---------------------|-------------|
| Mounting type | DIN-35 rail |
| Pluggable connector | pluggable |

Material data

| | |
|--------------------|------------------------------|
| Color | light gray |
| Housing material | Polycarbonate; polyamide 6.6 |
| Fire load | 0.881 MJ |
| Weight | 41.4 g |
| Conformity marking | CE |

Environmental requirements

| | |
|--|---------------------------------------|
| Ambient temperature (operation) | 0 ... +55 °C |
| Ambient temperature (storage) | -40 ... +85 °C |
| Protection type | IP20 |
| Pollution degree | 2 per IEC 61131-2 |
| Operating altitude | 0 ... 2000 m / 0 ... 6562 ft |
| Mounting position | horizontal (standing/lying); vertical |
| Relative humidity (without condensation) | 95 % |
| Vibration resistance | per IEC 60068-2-6 |
| Shock resistance | 15g per IEC 60068-2-27 |
| EMC immunity to interference | per EN 61000-6-2 |
| EMC emission of interference | per EN 61000-6-4 |
| Exposure to pollutants | per IEC 60068-2-42 and IEC 60068-2-43 |
| Permissible H ₂ S contaminant concentration at a relative humidity 75 % | 10 ppm |
| Permissible SO ₂ contaminant concentration at a relative humidity 75 % | 25 ppm |

Commercial data

| | |
|-----------------------|-----------------|
| Product Group | 15 (I/O System) |
| eCl@ss 10.0 | 27-24-26-04 |
| eCl@ss 9.0 | 27-24-26-04 |
| ETIM 8.0 | EC001599 |
| ETIM 7.0 | EC001599 |
| PU (SPU) | 1 pcs |
| Packaging type | Box |
| Country of origin | DE |
| GTIN | 4045454670153 |
| Customs tariff number | 85371098990 |

Environmental Product Compliance

| | |
|---|--------------------------------------|
| CAS-No. | 7439-92-1 |
| REACH Candidate List Substance | Lead |
| RoHS Compliance Status | Compliant,With Exemption |
| RoHS Exemption | 7(c)-I |
| SCIP notification number (Austria) | 9c4d956d-dd95-4511-9de9-d02d31b8beb1 |
| SCIP notification number (Belgium) | 83078a96-630a-4175-a394-fb7822b003be |
| SCIP notification number (Bulgaria) | 2eef6ca0-c285-4869-ba3f-eab03e117b40 |
| SCIP notification number (Czech Republic) | ec4fcb6-5847-48da-b0ba-057c6addf434 |
| SCIP notification number (Denmark) | 29d82d92-fe3c-4b4f-b124-8cffd6421d71 |
| SCIP notification number (Finland) | 502d868b-67c8-4f8e-9872-cb521e663447 |
| SCIP notification number (France) | f3a03125-4294-4559-aac8-c9678c87dbf9 |
| SCIP notification number (Germany) | 0836dc52-7130-44c0-a104-464335365f54 |
| SCIP notification number (Hungary) | e325d3e2-f170-4a2f-8d21-ad2d8d5e2e5b |
| SCIP notification number (Italy) | 60d2c8ef-08f8-4e88-8a6e-95df45b10a74 |
| SCIP notification number (Netherlands) | 6c18dc69-9cf1-4fd1-91da-06f93a66a119 |
| SCIP notification number (Poland) | f6c2f8f1-5c6a-4db7-b0db-80a8105857af |
| SCIP notification number (Romania) | ef605e0d-d71d-4aed-9701-38cce88f5354 |
| SCIP notification number (Sweden) | be7a4de5-c5e9-4980-a8f8-fca6bc429964 |

Approvals / Certificates

General approvals



| Approval | Standard | Certificate Name |
|---|------------------------|---------------------------------|
| EAC Brjansker Zertifizierungs- stelle | TP TC 020/2011 | EAC RU C-DE.AM02. B.00087/19 |
| KC National Radio Research Agency | Article 58-2, Clause 3 | MSIP-REM-W43-DOM750 |
| UL Underwriters Laboratories Inc. (ORDINARY LOCATI- ONS) | UL 508 | E175199 Sec.1 |

Approvals for hazardous areas



| Approval | Standard | Certificate Name |
|--|----------------|---|
| ATEX TUEV Nord Cert GmbH | EN 60079-0 | TUEV14ATEX148929X (II 3 G Ex ec IIC T4 Gc) |
| CCCEX CQST/CNEX | CNCA-C23-01 | 2020312310000213 (Ex ec IIC T4 Gc) |
| EAC Brjansker Zertifizierungs- stelle | TP TC 012/2011 | EAC RU C-DE.AM02. B.00163/19 (2Ex nA IIC T4 Gc X) |
| IECEX TUEV Nord Cert GmbH | IEC 60079-0 | IECEX TUN 14.0035 X (Ex ec IIC T4 Gc) |
| INMETRO TUV Rheinland do Brasil Ltda. | IEC 60079-0 | BR-Ex_TUV 12.1297 X |
| UKEx WAGO GmbH & Co. KG | EN 60079-0 | UKCA_WA GO22UKEX003X_ec |
| UL Underwriters Laboratories Inc. (HAZARDOUS LOCA- TIONS) | UL 121201 | E198726 Sec.1 |

Downloads

Environmental Product Compliance

| | |
|--|-------------------|
| Compliance Search | |
| Environmental Product Compliance 753-540 | ↓ |

Documentation

| | | | |
|--|-----------------------|-------------------|-------------------|
| Manual | | | |
| Product Manual 4-channel, 120/230VAC 0.25A | V 1.1.0 | pdf 3561.18 KB | ↓ |
| System Manual WAGO I/O System 750/753 | V 3.3.3 29.08.2023 | pdf 8512.61 KB | ↓ |
| System Manual Series 750/753 | | | ↓ |

| | | |
|---|------------------|-------------------|
| System Description | | |
| 750/753 Series I/O-System – General Product Information | pdf 953.35 KB | ↓ |
| Overview on WAGO-I/O-SYSTEM 750 approvals | pdf 770.48 KB | ↓ |

| | | | |
|-----------------|------------|-----------------|-------------------|
| Bid Text | | | |
| 753-540 | 19.02.2019 | xml 4.90 KB | ↓ |
| 753-540 | 12.07.2017 | doc 28.00 KB | ↓ |

| | | | |
|---------------------------------|------------|------------------|-------------------|
| Instruction Leaflet | | | |
| CCC Ex (Additional information) | 26.04.2023 | pdf 159.76 KB | ↓ |

CAD/CAE-Data

| | |
|----------------------|-------------------|
| CAD data | |
| 2D/3D Models 753-540 | ↓ |

| | |
|---------------------------|-------------------|
| CAE data | |
| EPLAN Data Portal 753-540 | ↓ |
| WSCAD Universe 753-540 | ↓ |
| ZUKEN Portal 753-540 | ↓ |

1 Compatible Products

1.1 Required Accessories

1.1.1 Pluggable connector

1.1.1.1 Male connector/plug



Item No.: 753-110
Plug

1.2 Optional Accessories

1.2.1 DIN-rail

1.2.1.1 Mounting accessories



Item No.: 210-196

Aluminum carrier rail; 35 x 8.2 mm; 1.6 mm thick; 2 m long; unslotted; similar to EN 60715; silver-colored



Item No.: 210-198

Copper carrier rail; 35 x 15 mm; 2.3 mm thick; 2 m long; unslotted; according to EN 60715; copper-colored



Item No.: 210-508

Steel carrier rail; 35 x 15 mm; 1.5 mm thick; 2 m long; slotted; galvanized; similar to EN 60715; silver-colored



Item No.: 210-197

Steel carrier rail; 35 x 15 mm; 1.5 mm thick; 2 m long; slotted; similar to EN 60715; silver-colored



Item No.: 210-506

Steel carrier rail; 35 x 15 mm; 1.5 mm thick; 2 m long; unslotted; galvanized; similar to EN 60715; silver-colored



Item No.: 210-114

Steel carrier rail; 35 x 15 mm; 1.5 mm thick; 2 m long; unslotted; similar to EN 60715; silver-colored



Item No.: 210-118

Steel carrier rail; 35 x 15 mm; 2.3 mm thick; 2 m long; unslotted; according to EN 60715; silver-colored



Item No.: 210-115

Steel carrier rail; 35 x 7.5 mm; 1 mm thick; 2 m long; slotted; according to EN 60715; "Hole width 18 mm; silver-colored



Item No.: 210-112

Steel carrier rail; 35 x 7.5 mm; 1 mm thick; 2 m long; slotted; according to EN 60715; "Hole width 25 mm; silver-colored



Item No.: 210-504

Steel carrier rail; 35 x 7.5 mm; 1 mm thick; 2 m long; slotted; galvanized; according to EN 60715; silver-colored



Item No.: 210-113

Steel carrier rail; 35 x 7.5 mm; 1 mm thick; 2 m long; unslotted; according to EN 60715; silver-colored



Item No.: 210-505

Steel carrier rail; 35 x 7.5 mm; 1 mm thick; 2 m long; unslotted; galvanized; according to EN 60715; silver-colored

1.2.2 Marking

1.2.2.1 Group marker carrier



Item No.: 750-106

Group marker carrier

1.2.2.2 Marker



Item No.: 750-100

Marker card; as a DIN A4 sheet; plain



Item No.: 2009-145/000-006

Mini-WSB In-line; for Smart Printer; 1700 pieces on roll; stretchable 5 - 5.2 mm; plain; snap-on type; blue



Item No.: 2009-145/000-007

Mini-WSB In-line; for Smart Printer; 1700 pieces on roll; stretchable 5 - 5.2 mm; plain; snap-on type; gray



Item No.: 2009-145/000-023

Mini-WSB In-line; for Smart Printer; 1700 pieces on roll; stretchable 5 - 5.2 mm; plain; snap-on type; green



Item No.: 2009-145/000-012

Mini-WSB In-line; for Smart Printer; 1700 pieces on roll; stretchable 5 - 5.2 mm; plain; snap-on type; orange



Item No.: 2009-145/000-005

Mini-WSB In-line; for Smart Printer; 1700 pieces on roll; stretchable 5 - 5.2 mm; plain; snap-on type; red



Item No.: 2009-145/000-024

Mini-WSB In-line; for Smart Printer; 1700 pieces on roll; stretchable 5 - 5.2 mm; plain; snap-on type; violet



Item No.: 2009-145

Mini-WSB In-line; for Smart Printer; 1700 pieces on roll; stretchable 5 - 5.2 mm; plain; snap-on type; white



Item No.: 2009-145/000-002

Mini-WSB In-line; for Smart Printer; 1700 pieces on roll; stretchable 5 - 5.2 mm; plain; snap-on type; yellow



Item No.: 248-501/000-006

Mini-WSB marking card; as card; not stretchable; plain; snap-on type; blue



Item No.: 248-501/000-007

Mini-WSB marking card; as card; not stretchable; plain; snap-on type; gray



Item No.: 248-501/000-023

Mini-WSB marking card; as card; not stretchable; plain; snap-on type; green



Item No.: 248-501/000-017

Mini-WSB marking card; as card; not stretchable; plain; snap-on type; light green



Item No.: 248-501/000-012

Mini-WSB marking card; as card; not stretchable; plain; snap-on type; orange



Item No.: 248-501/000-005

Mini-WSB marking card; as card; not stretchable; plain; snap-on type; red



Item No.: 248-501/000-024

Mini-WSB marking card; as card; not stretchable; plain; snap-on type; violet



Item No.: 248-501

Mini-WSB marking card; as card; not stretchable; plain; snap-on type; white



Item No.: 248-501/000-002

Mini-WSB marking card; as card; not stretchable; plain; snap-on type; yellow

1.2.2.3 Marker carrier



Item No.: 750-103
Group marker carrier

1.2.3 Pluggable connector

1.2.3.1 Coding



Item No.: 753-150
753 Series coding elements

1.2.4 Shield termination

1.2.4.1 Shield clamping saddles



Item No.: 790-108
Shield clamping saddle; 11 mm wide; diameter of compatible conductor; 3 ... 8 mm



Item No.: 790-208
Shield clamping saddle; 12.4 mm wide; 3 ... 8 mm



Item No.: 790-116
Shield clamping saddle; 19 mm wide; diameter of compatible conductor; 7 ... 16 mm



Item No.: 790-216
Shield clamping saddle; 21.8 mm wide; 6 ... 16 mm



Item No.: 790-124
Shield clamping saddle; 27 mm wide; diameter of compatible conductor; 6 ... 24 mm



Item No.: 790-220
Shield clamping saddle; 30 mm wide; 6 ... 20 mm



Item No.: 790-140
Shield clamping saddle; diameter of compatible conductor

1.2.5 Supply module

1.2.5.1 Supply module



Item No.: 750-612
Power Supply; 0 ... 230 V AC/DC



Item No.: 753-612
Power Supply; 0 ... 230 V AC/DC

1.2.6 System enclosure

1.2.6.1 System enclosure



Item No.: 850-825
IP65 enclosure; Aluminium (RAL 7032); WxHxD (160x100x160 mm); 9 x M12, 4 x M20



Item No.: 850-826
IP65 enclosure; Aluminium (RAL 7032); WxHxD (240x100x160 mm); 4 x M20, 4 x M16, 14 x M12 cable grip



Item No.: 850-827
IP65 enclosure; Aluminium (RAL 7032); WxHxD (320x100x160 mm); 4 x M20, 8 x M16, 17 x M12 cable grip



Item No.: 850-828
IP65 enclosure; Aluminium (RAL 7032); WxHxD (480x100x160 mm); 4 x M20, 10 x M16, 35 x M12 cable grip



Item No.: 850-826/002-000
IP65 enclosure; Aluminium (RAL 7035); WxHxD (240x100x160 mm); 4 x M20, 4 x M16, 14 x M12 cable grip



Item No.: 850-827/002-000
IP65 enclosure; Aluminium (RAL 7035); WxHxD (320x100x160 mm); 4 x M20, 8 x M16, 17 x M12 cable grip



Item No.: 850-828/002-000
IP65 enclosure; Aluminium (RAL 7035); WxHxD (480x100x160 mm); 4 x M20, 10 x M16, 35 x M12 cable grip



Item No.: 850-834
IP65 enclosure; Polyester (RAL 7032); WxHxD (164x100x164 mm); 9 x M12, 4 x M20



Item No.: 850-835
IP65 enclosure; Polyester (RAL 7032); WxHxD (244x100x164 mm); 4 x M20, 4 x M16, 14 x M12 cable grip



Item No.: 850-836
IP65 enclosure; Polyester (RAL 7032); WxHxD (324x100x164 mm); 4 x M20, 8 x M16, 17 x M12 cable grip



Item No.: 850-814/002-000
IP65 enclosure; Sheet steel (RAL 7035); WxHxD (200x120x200 mm); without flange plate



Item No.: 850-815/002-000
IP65 enclosure; Sheet steel (RAL 7035); WxHxD (300x120x200 mm); without flange plate

1.2.6.1 System enclosure



Item No.: [850-816/002-000](#)

IP65 enclosure; Sheet steel (RAL 7035);
WxHxD (400x120x200 mm); without flange plate

Item No.: [850-817/002-000](#)

IP65 enclosure; Sheet steel (RAL 7035);
WxHxD (600x120x200 mm); without flange plate