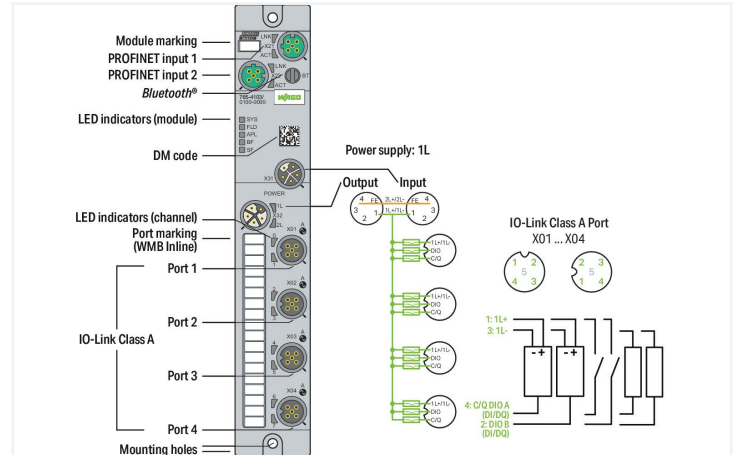


# Data Sheet | Item Number: 765-4103/100-000

4-Port IO-Link Master Class A; Profinet; DC 24 V / 2.0 A; 4xM12 connection; SlimLine

<https://www.wago.com/765-4103/100-000>



## Einsatzbereich:

Dezentrale Verarbeitung von Digitalen- und IO-Link-Signalen

Das Gerät dient zur Erfassung und Ansteuerung von IO-Link-fähigen digitalen Feldgeräten, z.B. von Sensoren, Aktoren und Hubs, die von einer übergeordneten Steuerung empfangen bzw. angesteuert werden. Das Gerät ist als Class A Master ausgelegt, und bietet 4 IO-Link Ports bzw. 8 digitale Ein-/Ausgänge.

## IO-Link:

Das Gerät verfügt über mehrere IO-Link-Kommunikationsschnittstellen für die Zusammenarbeit mit IO-Link Devices.

Die IO-Link-Schnittstelle ermöglicht den direkten Zugriff auf die Prozess- und Diagnosedaten und bietet die Möglichkeit, die Parameter der angeschlossenen Geräte während des Betriebs einzustellen.

Die IODD kann auch über den IODDfinder <https://ioddfinder.io-link.com> heruntergeladen werden.

## Technical data

Fieldbus	
Communication	PROFINET PROFINET IO device; 2-port switch, LLDP, MRP, SNMP
Connection technology: communication/fieldbus	2 x D-coded M12; 4-pole
Interface standard	10BASE-T/100BASE-TX; potential-free
Autonegotiation; autocrossover	Yes
PROFINET IO features	PROFINET IO device; 2-port switch, LLDP, MRP, SNMP

Device functions	
Parameter	Input filter Output current Temperature
Diagnostics	Undervoltage; overcurrent; overload; overtemperature
Device functions	Bluetooth® OPC UA server
Visualization	Android/iOS app Web server

IO-Link master	
IO-Link master classification	Class A; V1.1 specification
Port mode	IO-Link: autoconfig, manual, tool-based DI DO
Cycle time	400 µs (min.)
Operating mode	IO-Link master, DI or DO (adjustable for pin 4 per port); DI or DO (adjustable for pin 2 per port)

IO-Link ports	
Number of digital inputs	8
Number of digital outputs	8
Connection technology: inputs/outputs	4 x A-coded M12; 5-pole
Signal type (voltage)	24 VDC
Input characteristic	high-side switching Type 3, per IEC 61131-2
Input filter	0.2 ... 20 ms
Output current (per channel)	2 A (typ.) for DO
Supply current per port	1L: 1 A for IO-Link; 4 A (max.) for DIO

### Supply (module)

Connection technology: supply	2 x L-coded M12; 5-pole
Supply voltage	24 VDC (18 ... 31.2 V); 1L
Current consumption (max.)	16000 mA
Current consumption (note)	per supply line; overload- and short-circuit-protected
Reverse voltage protection	Yes

### Physical data

Width	35 mm / 1.378 inches
Height	30 mm / 1.181 inches
Depth	210 mm / 8.268 inches

### Mechanical data

Weight	380 g
Conformity marking	CE

### Environmental requirements

Ambient temperature (operation)	-25 ... +70 °C
Ambient temperature (storage)	-40 ... +80 °C
Protection type	IP67
Protection class	III per EN 61140, IEC 61140, VDE 0140-1
Operating altitude	0 ... 2000 m / 0 ... 6562 ft
Pollution degree	3 (EN 60664-1)
Overvoltage category	II (EN 60664-1)
Relative humidity (without condensation)	95 %
Vibration resistance	5g per IEC 60068-2-6
Shock resistance	Short-term: 50g/11 ms/half-sine per IEC 60068-2-27; Long-term: 30g/6 ms/half-sine per IEC 60068-2-29
EMC immunity to interference	per EN 61000-6-2
EMC emission of interference	per EN 61000-6-4

### Commercial data

ETIM 8.0	EC001601
ETIM 7.0	EC001601
PU (SPU)	1 pcs
Packaging type	Box
Country of origin	DE
GTIN	4055143950053
Customs tariff number	85371098990

### Environmental Product Compliance

CAS-No.	7439-92-1
REACH Candidate List Substance	Lead
RoHS Compliance Status	Compliant,With Exemption
RoHS Exemption	6(c) 7(a) 7(c)-I
SCIP notification number (Austria)	86e87699-35bf-421b-aae9-82dfa4013485
SCIP notification number (Belgium)	db867a9a-f8d9-464d-ad64-a7a45495db04
SCIP notification number (Bulgaria)	4d9dd066-3b81-4cc7-9c00-c32ded3a83fb
SCIP notification number (Czech Republic)	04a03d94-5d26-4be8-b421-7bc9c7adb8a2
SCIP notification number (Denmark)	a87ca643-d3cf-485f-aa72-1a52aec17a37
SCIP notification number (Finland)	6ef3e993-1e42-4b23-9725-773c5f56216e

**Environmental Product Compliance**

SCIP notification number (France)	cbf8b064-7389-4fb8-b8df-5cd045800397
SCIP notification number (Germany)	44226e4c-e4f7-4417-bc7f-57a58032c88e
SCIP notification number (Hungary)	0995f8de-e098-4508-b4f4-3d6b2c501a01
SCIP notification number (Italy)	f2a4bd3d-9539-49d1-afd0-cf6217f26009
SCIP notification number (Netherlands)	e8e40001-8450-40f0-be32-3d30a9fe503c
SCIP notification number (Poland)	2a59b41b-9b72-4fdc-ac41-5b7747f89246
SCIP notification number (Romania)	19b92347-ab32-4a6a-b4e1-95593e72449c
SCIP notification number (Sweden)	6151591a-75ce-4294-8411-cf77668fc4a2

**Approvals / Certificates**

**General approvals**



Approval	Standard	Certificate Name
KC National Radio Research Agency	Article 58-2, Clause 3	KC R-R-W43-FB765

**Downloads**

**Environmental Product Compliance**

Compliance Search
Environmental Product Compliance 765-4103/100-000 <a href="#">↓</a>

**Documentation**

Manual
Product Manual 4-Port IO-Link Master Class A; Profinet V 2.2.0 28.07.2022 pdf 8529.13 KB <a href="#">↓</a>

System Description
WAGO I/O System Field; General Product Information pdf 1009.23 KB <a href="#">↓</a>

Instruction Leaflet
I/O System Field package insert 15.12.2021 pdf 1083.98 KB <a href="#">↓</a>


**CAD/CAE-Data**


CAD data
2D/3D Models 765-4103/100-000 <a href="#">↓</a>

CAE data
EPLAN Data Portal 765-4103/100-000 <a href="#">↓</a>
ZUKEN Portal 765-4103/100-000 <a href="#">↓</a>

## Libraries

### Device Description File

750-916; GSD files of version 2.x for PROFINET/ series 750/753, 765, 767 and 852	3.0 15.01.2023	zip 2582.40 KB	
--	-------------------	-------------------	---

Gerätebeschreibungsdateien 765-41xx, 765-11xx, PROFINET	V1_1_0_22	zip 27.85 KB	
---	-----------	-----------------	---

## 1 Compatible Products

### 1.1 Required Accessories

#### 1.1.1 Cover

##### 1.1.1.1 Cover



[Item No.: 756-8103](#)

M12 protective cap; for unused plugs

[Item No.: 756-8102](#)

M12 protective cap; for unused sockets

#### 1.1.2 Marking

##### 1.1.2.1 Marker



[Item No.: 2009-115](#)

WMB-Inline; for Smart Printer; 1500 pieces on roll; stretchable 5 - 5.2 mm; plain; snap-on type; white

##### 1.1.2.2 Marking strip



[Item No.: 2009-110](#)

Marking strips; for Smart Printer; on reel; not stretchable; plain; snap-on type; white

#### 1.1.3 Tool

##### 1.1.3.1 Assembly tool



[Item No.: 206-701](#)

Torque wrench M8 and M12; Assembly kit

1.2 Optional Accessories

1.2.1 Cables and connectors

1.2.1.1 Adapter



[Item No.: 756-9503/040-000](#)  
Accessories; 4-pole

[Item No.: 756-9504/040-000](#)  
Accessories; 4-pole

1.2.1.2 Configurable connector



[Item No.: 756-9205/040-000](#)  
Fitted pluggable connector; 4-pole; M12 plug, right angle; Spring

[Item No.: 756-9202/040-000](#)  
Fitted pluggable connector; 4-pole; M12 plug, straight, A-coded; Spring

[Item No.: 756-9701/050-000](#)  
Fitted pluggable connector; 5-pole, shielded; M12 plug, straight; IDC technology

[Item No.: 756-9711/050-000](#)  
Fitted pluggable connector; 5-pole, shielded; M12 socket, straight; IDC technology

1.2.1.3 Configurable shielded connector



[Item No.: 756-9501/040-000](#)  
Accessories; M12 plug, right angle; 4-pole

[Item No.: 756-9501/060-000](#)  
Fitted pluggable connector; 4-pole, shielded; M12 plug, straight, D-coded; Spring

1.2.1.4 Distribution connector



[Item No.: 756-9301/040-000](#)  
Accessories; 4-pole

[Item No.: 756-9301/050-000](#)  
Accessories; 5-pole

[Item No.: 756-5517/040-010](#)  
Sensor/Actuator cable; 2xM12 socket; angled; M12A plug; straight; 4-pole; Length: 1 m

[Item No.: 756-5517/040-020](#)  
Sensor/Actuator cable; 2xM12 socket; angled; M12A plug; straight; 4-pole; Length: 2 m



[Item No.: 756-5516/040-010](#)  
Sensor/Actuator cable; 2xM12 socket; straight; M12A plug; straight; 4-pole; Length: 1 m

[Item No.: 756-5516/040-020](#)  
Sensor/Actuator cable; 2xM12 socket; straight; M12A plug; straight; 4-pole; Length: 2 m

[Item No.: 756-5514/040-010](#)  
Sensor/Actuator cable; 2xM8 socket; angled; M12A plug; straight; 4-pole; Length: 1 m

[Item No.: 756-5514/040-020](#)  
Sensor/Actuator cable; 2xM8 socket; angled; M12A plug; straight; 4-pole; Length: 2 m



[Item No.: 756-5513/040-010](#)  
Sensor/Actuator cable; 2xM8 socket; straight; M12A plug; straight; 4-pole; Length: 1 m

[Item No.: 756-5513/040-020](#)  
Sensor/Actuator cable; 2xM8 socket; straight; M12A plug; straight; 4-pole; Length: 2 m

1.2.1.5 ETHERNET/PROFINET cable



[Item No.: 756-1202/060-100](#)  
ETHERNET cable; M12D plug; angled; 4-pole; Length: 10 m

[Item No.: 756-1202/060-020](#)  
ETHERNET cable; M12D plug; angled; 4-pole; Length: 2 m

[Item No.: 756-1202/060-200](#)  
ETHERNET cable; M12D plug; angled; 4-pole; Length: 20 m

[Item No.: 756-1202/060-050](#)  
ETHERNET cable; M12D plug; angled; 4-pole; Length: 5 m



[Item No.: 756-1204/060-010](#)  
ETHERNET cable; M12D plug; angled; M12D plug; angled; 4-pole; Length: 1 m

[Item No.: 756-1204/060-100](#)  
ETHERNET cable; M12D plug; angled; M12D plug; angled; 4-pole; Length: 10 m

[Item No.: 756-1204/060-020](#)  
ETHERNET cable; M12D plug; angled; M12D plug; angled; 4-pole; Length: 2 m

[Item No.: 756-1204/060-200](#)  
ETHERNET cable; M12D plug; angled; M12D plug; angled; 4-pole; Length: 20 m



[Item No.: 756-1204/060-030](#)  
ETHERNET cable; M12D plug; angled; M12D plug; angled; 4-pole; Length: 3 m

[Item No.: 756-1204/060-050](#)  
ETHERNET cable; M12D plug; angled; M12D plug; angled; 4-pole; Length: 5 m

[Item No.: 756-1201/060-100](#)  
ETHERNET cable; M12D plug; straight; 4-pole; Length: 10 m

[Item No.: 756-1201/060-020](#)  
ETHERNET cable; M12D plug; straight; 4-pole; Length: 2 m

1.2.1.5 ETHERNET/PROFINET cable



**Item No.: 756-1201/060-200**  
ETHERNET cable; M12D plug; straight; 4-pole; Length: 20 m

**Item No.: 756-1201/060-050**  
ETHERNET cable; M12D plug; straight; 4-pole; Length: 5 m

**Item No.: 756-1203/060-100**  
ETHERNET cable; M12D plug; straight; M12D plug; straight; 4-pole; Length: 10 m

**Item No.: 756-1203/060-020**  
ETHERNET cable; M12D plug; straight; M12D plug; straight; 4-pole; Length: 2 m



**Item No.: 756-1203/060-200**  
ETHERNET cable; M12D plug; straight; M12D plug; straight; 4-pole; Length: 20 m

**Item No.: 756-1203/060-050**  
ETHERNET cable; M12D plug; straight; M12D plug; straight; 4-pole; Length: 5 m

1.2.1.6 Power cable



**Item No.: 756-3504/050-100**  
Power cable; M12L plug; angled; 5-pole; Length: 10 m

**Item No.: 756-3504/050-150**  
Power cable; M12L plug; angled; 5-pole; Length: 15 m

**Item No.: 756-3504/050-020**  
Power cable; M12L plug; angled; 5-pole; Length: 2 m

**Item No.: 756-3504/050-050**  
Power cable; M12L plug; angled; 5-pole; Length: 5 m



**Item No.: 756-3504/050-075**  
Power cable; M12L plug; angled; 5-pole; Length: 7.5 m

**Item No.: 756-3503/050-100**  
Power cable; M12L plug; straight; 5-pole; Length: 10 m

**Item No.: 756-3503/050-150**  
Power cable; M12L plug; straight; 5-pole; Length: 15 m

**Item No.: 756-3503/050-020**  
Power cable; M12L plug; straight; 5-pole; Length: 2 m



**Item No.: 756-3503/050-050**  
Power cable; M12L plug; straight; 5-pole; Length: 5 m

**Item No.: 756-3503/050-075**  
Power cable; M12L plug; straight; 5-pole; Length: 7.5 m

**Item No.: 756-3502/050-100**  
Power cable; M12L socket; angled; 5-pole; Length: 10 m

**Item No.: 756-3502/050-150**  
Power cable; M12L socket; angled; 5-pole; Length: 15 m



**Item No.: 756-3502/050-020**  
Power cable; M12L socket; angled; 5-pole; Length: 2 m

**Item No.: 756-3502/050-050**  
Power cable; M12L socket; angled; 5-pole; Length: 5 m

**Item No.: 756-3502/050-075**  
Power cable; M12L socket; angled; 5-pole; Length: 7.5 m

**Item No.: 756-3506/050-003**  
Power cable; M12L socket; angled; M12L plug; angled; 5-pole; Length: 0.3 m



**Item No.: 756-3506/050-005**  
Power cable; M12L socket; angled; M12L plug; angled; 5-pole; Length: 0.5 m

**Item No.: 756-3506/050-010**  
Power cable; M12L socket; angled; M12L plug; angled; 5-pole; Length: 1 m

**Item No.: 756-3506/050-100**  
Power cable; M12L socket; angled; M12L plug; angled; 5-pole; Length: 10 m

**Item No.: 756-3506/050-150**  
Power cable; M12L socket; angled; M12L plug; angled; 5-pole; Length: 15 m



**Item No.: 756-3506/050-020**  
Power cable; M12L socket; angled; M12L plug; angled; 5-pole; Length: 2 m

**Item No.: 756-3506/050-050**  
Power cable; M12L socket; angled; M12L plug; angled; 5-pole; Length: 5 m

**Item No.: 756-3506/050-075**  
Power cable; M12L socket; angled; M12L plug; angled; 5-pole; Length: 7.5 m

**Item No.: 756-3501/050-100**  
Power cable; M12L socket; straight; 5-pole; Length: 10 m



**Item No.: 756-3501/050-150**  
Power cable; M12L socket; straight; 5-pole; Length: 15 m

**Item No.: 756-3501/050-020**  
Power cable; M12L socket; straight; 5-pole; Length: 2 m

**Item No.: 756-3501/050-050**  
Power cable; M12L socket; straight; 5-pole; Length: 5 m

**Item No.: 756-3501/050-075**  
Power cable; M12L socket; straight; 5-pole; Length: 7.5 m



**Item No.: 756-3505/050-003**  
Power cable; M12L socket; straight; M12L plug; straight; 5-pole; Length: 0.3 m

**Item No.: 756-3505/050-005**  
Power cable; M12L socket; straight; M12L plug; straight; 5-pole; Length: 0.5 m

**Item No.: 756-3505/050-010**  
Power cable; M12L socket; straight; M12L plug; straight; 5-pole; Length: 1 m

**Item No.: 756-3505/050-100**  
Power cable; M12L socket; straight; M12L plug; straight; 5-pole; Length: 10 m



**Item No.: 756-3505/050-150**  
Power cable; M12L socket; straight; M12L plug; straight; 5-pole; Length: 15 m

**Item No.: 756-3505/050-020**  
Power cable; M12L socket; straight; M12L plug; straight; 5-pole; Length: 2 m

**Item No.: 756-3505/050-050**  
Power cable; M12L socket; straight; M12L plug; straight; 5-pole; Length: 5 m

**Item No.: 756-3505/050-075**  
Power cable; M12L socket; straight; M12L plug; straight; 5-pole; Length: 7.5 m

1.2.1.7 Sensor/actuator cable



**Item No.: 756-5312/040-015**  
Sensor/Actuator cable; M12A plug; angled; 4-pole; Length: 1.5 m

**Item No.: 756-5312/040-100**  
Sensor/Actuator cable; M12A plug; angled; 4-pole; Length: 10 m

**Item No.: 756-5312/040-050**  
Sensor/Actuator cable; M12A plug; angled; 4-pole; Length: 5 m

**Item No.: 756-5311/040-015**  
Sensor/Actuator cable; M12A plug; straight; 4-pole; Length: 1.5 m



**Item No.: 756-5311/040-100**  
Sensor/Actuator cable; M12A plug; straight; 4-pole; Length: 10 m

**Item No.: 756-5311/040-050**  
Sensor/Actuator cable; M12A plug; straight; 4-pole; Length: 5 m

**Item No.: 756-5404/040-010**  
Sensor/Actuator cable; M12A socket; angled; M12A plug; angled; 4-pole; Length: 1 m

**Item No.: 756-5404/040-020**  
Sensor/Actuator cable; M12A socket; angled; M12A plug; angled; 4-pole; Length: 2 m



**Item No.: 756-5403/040-010**  
Sensor/Actuator cable; M12A socket; angled; M12A plug; straight; 4-pole; Length: 1 m

**Item No.: 756-5403/040-020**  
Sensor/Actuator cable; M12A socket; angled; M12A plug; straight; 4-pole; Length: 2 m

**Item No.: 756-5402/040-010**  
Sensor/Actuator cable; M12A socket; straight; M12A plug; angled; 4-pole; Length: 1 m

**Item No.: 756-5402/040-020**  
Sensor/Actuator cable; M12A socket; straight; M12A plug; angled; 4-pole; Length: 2 m



**Item No.: 756-5401/040-010**  
Sensor/Actuator cable; M12A socket; straight; M12A plug; straight; 4-pole; Length: 1 m

**Item No.: 756-5401/040-020**  
Sensor/Actuator cable; M12A socket; straight; M12A plug; straight; 4-pole; Length: 2 m

**Item No.: 756-5510/040-010**  
Sensor/Actuator cable; M8 socket; angled; M12A plug; angled; 4-pole; Length: 1 m

**Item No.: 756-5510/040-020**  
Sensor/Actuator cable; M8 socket; angled; M12A plug; angled; 4-pole; Length: 2 m



**Item No.: 756-5509/040-010**  
Sensor/Actuator cable; M8 socket; angled; M12A plug; straight; 4-pole; Length: 1 m

**Item No.: 756-5509/040-020**  
Sensor/Actuator cable; M8 socket; angled; M12A plug; straight; 4-pole; Length: 2 m

**Item No.: 756-5508/040-010**  
Sensor/Actuator cable; M8 socket; straight; M12A plug; angled; 4-pole; Length: 1 m

**Item No.: 756-5508/040-020**  
Sensor/Actuator cable; M8 socket; straight; M12A plug; angled; 4-pole; Length: 2 m



**Item No.: 756-5507/040-010**  
Sensor/Actuator cable; M8 socket; straight; M12A plug; straight; 4-pole; Length: 1 m

**Item No.: 756-5507/040-020**  
Sensor/Actuator cable; M8 socket; straight; M12A plug; straight; 4-pole; Length: 2 m