

# Data Sheet | Item Number: 852-1280

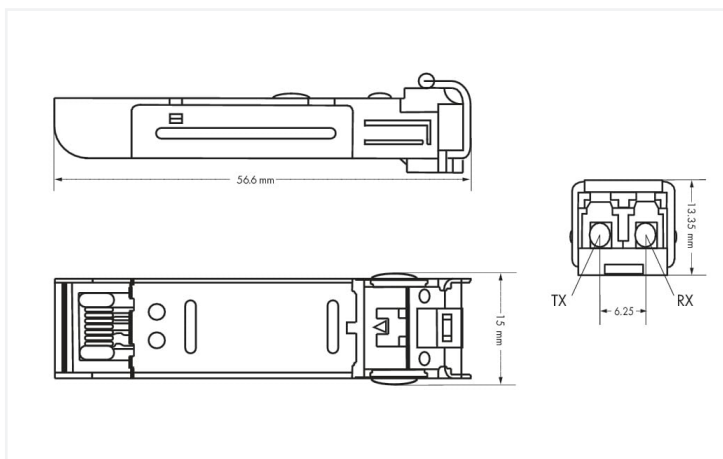
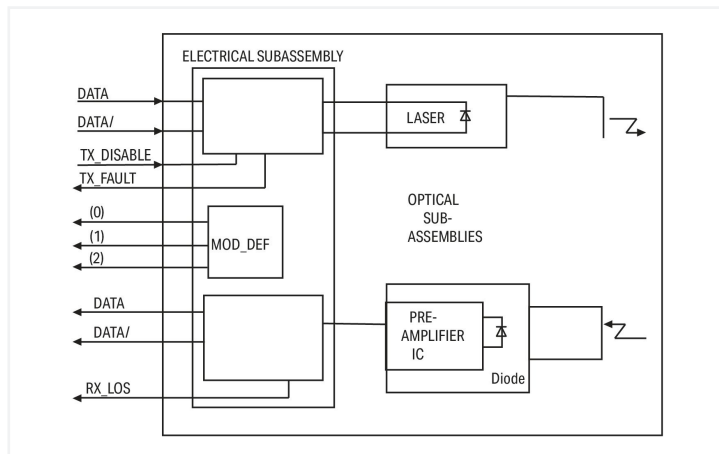
SFP Module 1000BASE; ZX Single-Mode 1550 nm LC; 80 km; Extended temperature range; Digital Diagnostics Monitoring; silver-colored

<https://www.wago.com/852-1280>



Color: ■ silver-colored

Similar to illustration



Dimensions in mm

## Features:

- Duplex LC optical connector
- Small Form-Factor Pluggable (SFP) industry-standard design
- Compliant with IEEE802.3z Gigabit ETHERNET Standard
- Differential LVPECL inputs and outputs
- Power supply: 3.3 V
- TTL signal detect indicator
- Hot-pluggable capability

## Technical data

Optical fiber type: Single-mode

## Connection data

Connection technology: communication/fieldbus: 1 x SFP; LC fiber-optic connector  
Connection requirement (permissible cable length): 80000 m  
Connection requirement (permissible cable type): Single-mode fiber 9/125 μm; Wavelength: 1550 nm

### Physical data

Width	13.4 mm / 0.528 inches
Height	13.3 mm / 0.524 inches
Depth	56.6 mm / 2.228 inches

### Mechanical data

Weight	17 g
Color	silver-colored

### Environmental requirements

Ambient temperature (operation)	-40 ... +85 °C
Ambient temperature (storage)	-40 ... +85 °C
Fire load	0 MJ

### Commercial data

eCl@ss 10.0	19-17-01-30
eCl@ss 9.0	19-17-01-06
ETIM 8.0	EC000309
ETIM 7.0	EC000309
PU (SPU)	1 pcs
Packaging type	Box
Country of origin	TW
GTIN	4055143394154
Customs tariff number	85176200000

### Environmental Product Compliance

RoHS Compliance Status	Compliant, No Exemption
------------------------	-------------------------

### Approvals / Certificates

#### General approvals



Approval	Standard	Certificate Name
EAC Brjansker Zertifizierungsstelle	TP TC 020/2011	EAC RU C-DE.AM02. B.00087/19
KC National Radio Research Agency	Article 58-2, Clause 3	MSIP-REM-W43-SFP852

#### Declarations of conformity and manufacturer's declarations

Approval	Standard	Certificate Name
EU-Declaration of Conformity WAGO GmbH & Co. KG	-	-

## Downloads

### Environmental Product Compliance




#### Compliance Search

Environmental Product  
Compliance 852-1280



## Documentation

### Bid Text

852-1280	09.10.2017	doc 26.50 KB	
852-1280	19.02.2019	xml 3.86 KB	
ausschreiben.de 852-1280			

## CAD/CAE-Data

### CAE data

EPLAN Data Portal 852-1280	
WSCAD Universe 852-1280	