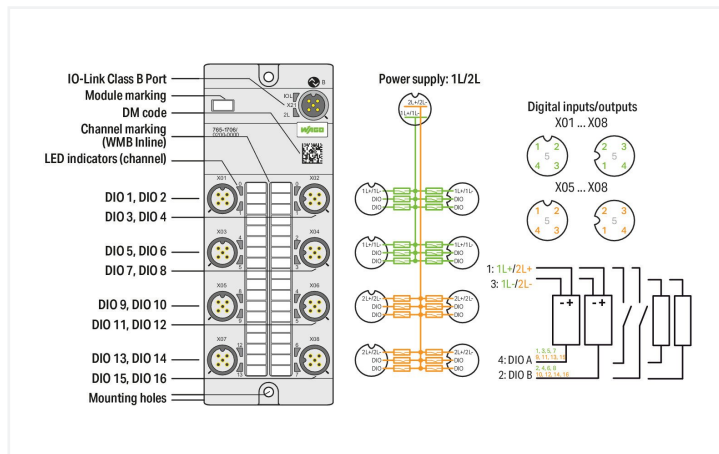


Data Sheet | Item Number: 765-1706/200-000

16-channel digital input/output; IO Link Class B Hub; DC 24 V / 2.0 A; 8xM12 connection; HubLine

<https://www.wago.com/765-1706/200-000>



Einsatzbereich:

Dezentrale Vorverarbeitung und Konvertierung/Ausgabe von Digitalsignalen

Das Gerät dient zur Erfassung und zur Ansteuerung von digitalen Feldgeräten, z.B. von Sensoren und Aktoren, die von einem übergeordneten IO-Link Master empfangen bzw. gesendet werden. Das Gerät ist als Class B Hub ausgelegt, und hat 16 digitale Ein-/Ausgänge.

IO-Link:

Das Gerät verfügt über eine IO-Link-Kommunikationsschnittstelle, die für die Zusammenarbeit einen IO-Link Master voraussetzt.

Die IO-Link-Schnittstelle ermöglicht den direkten Zugriff auf die Prozess- und Diagnosedaten und bietet die Möglichkeit, die Parameter des Gerätes während des Betriebs einzustellen.

Die IO-Link-Diagnose (IODD) kann auch über den IO-Link-Diagnosefinder <https://ioddfinder.io-link.com> heruntergeladen werden.

Technical data

IO-Link		Device functions	
Communication	IO-Link slave (class B)	Parameter	Input filter Output current Temperature
Connection technology: communication/ fieldbus	1 x A-coded M12; 5-pole	Diagnostics	Undervoltage; overcurrent; overload; overtemperature
Digital inputs/outputs		Power supply	
Number of digital inputs	16	Connection technology: supply	1 x A-coded M12; 5-pole; via IO-Link port (1L/2L)
Number of digital outputs	16	Supply voltage	24 VDC (18 ... 31.2 V); 1L/2L
Connection technology: inputs/outputs	8 x A-coded M12; 5-pole	Current consumption (max.)	4000 mA
Signal type (voltage)	24 VDC	Current consumption (note)	1L: 0.2 A; 2L: 0.1 A; + load current
Input characteristic	high-side switching Type 3, per IEC 61131-2	Reverse voltage protection	Yes
Input filter	0.2 ... 20 ms		
Output current (per channel)	2 A		

Physical data

Width	60 mm / 2.362 inches
Height	30 mm / 1.181 inches
Depth	158.5 mm / 6.24 inches

Mechanical data

Weight	170 g
Conformity marking	CE

Environmental requirements

Ambient temperature (operation)	-25 ... +70 °C
Ambient temperature (storage)	-40 ... +80 °C
Protection type	IP67
Protection class	III per EN 61140, IEC 61140, VDE 0140-1
Operating altitude	0 ... 2000 m / 0 ... 6562 ft
Pollution degree	3 (EN 60664-1)
Overvoltage category	II (EN 60664-1)
Vibration resistance	5g per IEC 60068-2-6
Shock resistance	Short-term: 50g/11 ms/half-sine per IEC 60068-2-27; Long-term: 30g/6 ms/half-sine per IEC 60068-2-29
EMC immunity to interference	per EN 61000-6-2
EMC emission of interference	per EN 61000-6-4

Commercial data

ETIM 8.0	EC001599
ETIM 7.0	EC001599
PU (SPU)	1 pcs
Packaging type	Box
Country of origin	DE
GTIN	4055143949873
Customs tariff number	85371098990

Environmental Product Compliance

CAS-No.	7439-92-1
REACH Candidate List Substance	Lead
RoHS Compliance Status	Compliant,With Exemption
RoHS Exemption	6(c) 7(a) 7(c)-I
SCIP notification number (Austria)	2dde3cf6-cfd0-46d7-9a57-e8841864fa82
SCIP notification number (Belgium)	344c7f8b-f39c-427c-a3ee-4f69e39404a8
SCIP notification number (Bulgaria)	4e3dd708-ac81-4510-ade5-c12b7e092023
SCIP notification number (Czech Republic)	b1459229-d71c-4e96-b514-23ac50aa4edd
SCIP notification number (Denmark)	1f6413ec-b2b1-4f26-bd7f-efce47f6d600
SCIP notification number (Finland)	c9cd5549-ce37-4172-b925-0096dbbc8c4d
SCIP notification number (France)	24b70ad0-42ee-4bd3-9fe6-27643d72681f
SCIP notification number (Germany)	413b0d64-1a89-46e2-bc13-7c6dc50a8b27
SCIP notification number (Hungary)	c75d7529-1f8d-4acc-8d4c-217332858a58
SCIP notification number (Italy)	309e105a-69f5-43c2-9172-de5621066951
SCIP notification number (Netherlands)	36545f06-fd07-4607-96fc-52cfb286e6a8
SCIP notification number (Poland)	e099c544-662d-4ec6-849e-f782cc5c3aac
SCIP notification number (Romania)	6910ad77-bf51-4936-af96-a2c707b388d2
SCIP notification number (Sweden)	b0d8db13-249a-4e25-9589-02e832888b27

Approvals / Certificates

General approvals



Approval	Standard	Certificate Name
KC National Radio Research Agency	Article 58-2, Clause 3	KC R-R-W43-IOLH765

Declarations of conformity and manufacturer's declarations

Approval	Standard	Certificate Name
EU-Declaration of Conformity WAGO GmbH & Co. KG	-	-

Downloads

Environmental Product Compliance

Compliance Search

Environmental Product Compliance 765-1706/200-000	↓
--	---

Documentation

Manual

Product Manual 16-Channel Digital Input/Output; IO Link Class B Hub	V 2.0.0 19.07.2022	pdf 3834.67 KB	↓
---	-----------------------	-------------------	---

System Description

WAGO I/O System Field; General Product Information	pdf 1009.23 KB	↓
--	-------------------	---

Instruction Leaflet

I/O System Field package insert	15.12.2021	pdf 1083.98 KB	↓
---------------------------------	------------	-------------------	---

CAD/CAE-Data

CAD data

2D/3D Models 765-1706/200-000	↓
----------------------------------	---

CAE data

EPLAN Data Portal 765-1706/200-000	↓
ZUKEN Portal 765-1706/200-000	↓

Runtime Software

Firmware

0765-17xx, IO-Field	V 02 02.02.2023	zip 333.92 KB	↓
---------------------	--------------------	------------------	---

Libraries

Device Description File			
IODD	V1.0.0.10	zip	↓
765-1706/200-000	12.04.2021	59.71 KB	

1 Compatible Products

1.1 Required Accessories

1.1.1 Cover

1.1.1.1 Cover



[Item No.: 756-8103](#)
M12 protective cap; for unused plugs

[Item No.: 756-8102](#)
M12 protective cap; for unused sockets

1.1.2 Marking

1.1.2.1 Marker



[Item No.: 2009-115](#)
WMB-Inline; for Smart Printer; 1500 pieces on roll; stretchable 5 - 5.2 mm; plain; snap-on type; white

1.1.2.2 Marking strip



[Item No.: 2009-110](#)
Marking strips; for Smart Printer; on reel; not stretchable; plain; snap-on type; white

1.1.3 Tool

1.1.3.1 Assembly tool



[Item No.: 206-701](#)
Torque wrench M8 and M12; Assembly kit

1.2 Optional Accessories

1.2.1 Cables and connectors

1.2.1.1 Configurable connector



Item No.: 756-9205/050-000

Fitted pluggable connector; 5-pole; M12 plug, right angle; Spring



Item No.: 756-9202/050-000

Fitted pluggable connector; 5-pole; M12 plug, straight, A-coded; Spring



Item No.: 756-9215/050-000

Fitted pluggable connector; 5-pole; M12 socket, right angle; Spring



Item No.: 756-9212/050-000

Fitted pluggable connector; 5-pole; M12 socket, straight; Spring

1.2.1.2 Distribution connector



Item No.: 756-9301/040-000

Accessories; 4-pole



Item No.: 756-9301/050-000

Accessories; 5-pole



Item No.: 756-5514/040-010

Sensor/Actuator cable; 2xM8 socket; angled; M12A plug; straight; 4-pole; Length: 1 m



Item No.: 756-5514/040-020

Sensor/Actuator cable; 2xM8 socket; angled; M12A plug; straight; 4-pole; Length: 2 m



Item No.: 756-5513/040-010

Sensor/Actuator cable; 2xM8 socket; straight; M12A plug; straight; 4-pole; Length: 1 m



Item No.: 756-5513/040-020

Sensor/Actuator cable; 2xM8 socket; straight; M12A plug; straight; 4-pole; Length: 2 m

1.2.1.3 Sensor/actuator cable



Item No.: 756-5312/040-015

Sensor/Actuator cable; M12A plug; angled; 4-pole; Length: 1.5 m



Item No.: 756-5312/040-100

Sensor/Actuator cable; M12A plug; angled; 4-pole; Length: 10 m



Item No.: 756-5312/040-050

Sensor/Actuator cable; M12A plug; angled; 4-pole; Length: 5 m



Item No.: 756-5311/040-015

Sensor/Actuator cable; M12A plug; straight; 4-pole; Length: 1.5 m



Item No.: 756-5311/040-100

Sensor/Actuator cable; M12A plug; straight; 4-pole; Length: 10 m



Item No.: 756-5311/040-050

Sensor/Actuator cable; M12A plug; straight; 4-pole; Length: 5 m



Item No.: 756-5302/050-015

Sensor/Actuator cable; M12A socket; angled; 5-pole; Length: 1.5 m



Item No.: 756-5302/050-100

Sensor/Actuator cable; M12A socket; angled; 5-pole; Length: 10 m



Item No.: 756-5302/050-050

Sensor/Actuator cable; M12A socket; angled; 5-pole; Length: 5 m



Item No.: 756-5404/040-010

Sensor/Actuator cable; M12A socket; angled; M12A plug; angled; 4-pole; Length: 1 m



Item No.: 756-5404/040-020

Sensor/Actuator cable; M12A socket; angled; M12A plug; angled; 4-pole; Length: 2 m



Item No.: 756-5404/050-010

Sensor/Actuator cable; M12A socket; angled; M12A plug; angled; 5-pole; Length: 1 m



Item No.: 756-5404/050-020

Sensor/Actuator cable; M12A socket; angled; M12A plug; angled; 5-pole; Length: 2 m



Item No.: 756-5403/040-010

Sensor/Actuator cable; M12A socket; angled; M12A plug; straight; 4-pole; Length: 1 m



Item No.: 756-5403/040-020

Sensor/Actuator cable; M12A socket; angled; M12A plug; straight; 4-pole; Length: 2 m



Item No.: 756-5403/050-010

Sensor/Actuator cable; M12A socket; angled; M12A plug; straight; 5-pole; Length: 1 m



Item No.: 756-5403/050-020

Sensor/Actuator cable; M12A socket; angled; M12A plug; straight; 5-pole; Length: 2 m



Item No.: 756-5301/050-015

Sensor/Actuator cable; M12A socket; straight; 5-pole; Length: 1.5 m



Item No.: 756-5301/050-100

Sensor/Actuator cable; M12A socket; straight; 5-pole; Length: 10 m



Item No.: 756-5301/050-050

Sensor/Actuator cable; M12A socket; straight; 5-pole; Length: 5 m



Item No.: 756-5402/040-010

Sensor/Actuator cable; M12A socket; straight; M12A plug; angled; 4-pole; Length: 1 m



Item No.: 756-5402/040-020

Sensor/Actuator cable; M12A socket; straight; M12A plug; angled; 4-pole; Length: 2 m



Item No.: 756-5402/050-010

Sensor/Actuator cable; M12A socket; straight; M12A plug; angled; 5-pole; Length: 1 m



Item No.: 756-5402/050-020

Sensor/Actuator cable; M12A socket; straight; M12A plug; angled; 5-pole; Length: 2 m



Item No.: 756-5401/040-010

Sensor/Actuator cable; M12A socket; straight; M12A plug; straight; 4-pole; Length: 1 m



Item No.: 756-5401/040-020

Sensor/Actuator cable; M12A socket; straight; M12A plug; straight; 4-pole; Length: 2 m



Item No.: 756-5401/050-010

Sensor/Actuator cable; M12A socket; straight; M12A plug; straight; 5-pole; Length: 1 m



Item No.: 756-5401/050-020

Sensor/Actuator cable; M12A socket; straight; M12A plug; straight; 5-pole; Length: 2 m

1.2.1.3 Sensor/actuator cable



Item No.: 756-5510/040-010

Sensor/Actuator cable; M8 socket; angled; M12A plug; angled; 4-pole; Length: 1 m



Item No.: 756-5510/040-020

Sensor/Actuator cable; M8 socket; angled; M12A plug; angled; 4-pole; Length: 2 m



Item No.: 756-5509/040-010

Sensor/Actuator cable; M8 socket; angled; M12A plug; straight; 4-pole; Length: 1 m



Item No.: 756-5509/040-020

Sensor/Actuator cable; M8 socket; angled; M12A plug; straight; 4-pole; Length: 2 m



Item No.: 756-5508/040-010

Sensor/Actuator cable; M8 socket; straight; M12A plug; angled; 4-pole; Length: 1 m



Item No.: 756-5508/040-020

Sensor/Actuator cable; M8 socket; straight; M12A plug; angled; 4-pole; Length: 2 m



Item No.: 756-5507/040-010

Sensor/Actuator cable; M8 socket; straight; M12A plug; straight; 4-pole; Length: 1 m



Item No.: 756-5507/040-020

Sensor/Actuator cable; M8 socket; straight; M12A plug; straight; 4-pole; Length: 2 m