

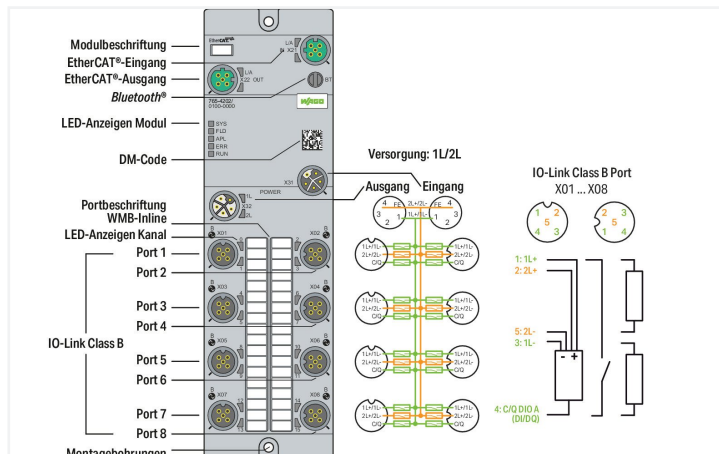
Data Sheet | Item Number: 765-4202/100-000

8-Port IO-Link Master Class B; EtherCAT; DC 24 V / 2.0 A; 8xM12 connection; Wide-Line

<https://www.wago.com/765-4202/100-000>



Similar to illustration



Einsatzbereich:

Dezentrale Verarbeitung von Digitalen- und IO-Link-Signalen

Das Gerät dient zur Erfassung und Ansteuerung von IO-Link-fähigen digitalen Feldgeräten, z.B. von Sensoren, Aktoren und Hubs, die von einer übergeordneten Steuerung empfangen bzw. angesteuert werden. Das Gerät ist als Class B Master ausgelegt, und bietet 8 IO-Link Ports bzw. 8 digitale Ein-/Ausgänge.

IO-Link:

Das Gerät verfügt über mehrere IO-Link-Kommunikationsschnittstellen für die Zusammenarbeit mit IO-Link Devices.

Die IO-Link-Schnittstelle ermöglicht den direkten Zugriff auf die Prozess- und Diagnosedaten und bietet die Möglichkeit, die Parameter der angeschlossenen Geräte während des Betriebs einzustellen.

Die IODD kann auch über den IODDfinder <https://ioddfinder.io-link.com> heruntergeladen werden.

Technical data

Fieldbus

Communication	EtherCAT® AoE, EoE, FoE
Connection technology: communication/fieldbus	2 x D-coded M12; 4-pole
Interface standard	10BASE-T/100BASE-TX; potential-free
Autonegotiation; autocrossover	Yes

Device functions

Parameter	Input filter Output current Temperature
Diagnostics	Undervoltage; overcurrent; overload; overtemperature
Device functions	Bluetooth® OPC UA server
Visualization	Android/iOS app Web server

IO-Link master

IO-Link master classification	Class B; V1.1 specification
Port mode	IO-Link: autoconfig, manual, tool-based DI DO
Cycle time	400 µs (min.)
Operating mode	IO-Link master, DI or DO (adjustable for pin 4 per port); Supply voltage 2L (fixed for pin 2 per port)

IO-Link ports

Number of digital inputs	8
Number of digital outputs	8
Connection technology: inputs/outputs	8 x A-coded M12; 5-pole
Signal type (voltage)	24 VDC
Input characteristic	high-side switching Type 3, per IEC 61131-2
Input filter	0.2 ... 20 ms
Output current (per channel)	2 A (typ.) for DO
Supply current per port	1L (Pin 1): 1 A for IO-Link; 4 A (max.) for DIO; 2L (Pin 2): 4 A (max.)

Supply (module)

Connection technology: supply	2 x L-coded M12; 5-pole
Supply voltage	24 VDC (18 ... 31.2 V); 1L/2L
Current consumption (max.)	16000 mA
Current consumption (note)	per supply line; overload- and short-circuit-protected
Reverse voltage protection	Yes

Physical data

Width	60 mm / 2.362 inches
Height	30 mm / 1.181 inches
Depth	210 mm / 8.268 inches

Mechanical data

Weight	706 g
Conformity marking	CE

Environmental requirements

Ambient temperature (operation)	-25 ... +70 °C
Ambient temperature (storage)	-40 ... +80 °C
Protection type	IP67
Protection class	III per EN 61140, IEC 61140, VDE 0140-1
Operating altitude	0 ... 2000 m / 0 ... 6562 ft
Pollution degree	3 (EN 60664-1)
Overvoltage category	II (EN 60664-1)
Relative humidity (without condensation)	95 %
Vibration resistance	5g per IEC 60068-2-6
Shock resistance	Short-term: 50g/11 ms/half-sine per IEC 60068-2-27; Long-term: 30g/6 ms/half-sine per IEC 60068-2-29
EMC immunity to interference	per EN 61000-6-2
EMC emission of interference	per EN 61000-6-4

Commercial data

ETIM 8.0	EC001601
ETIM 7.0	EC001601
PU (SPU)	1 pcs
Country of origin	DE
GTIN	4066966063141
Customs tariff number	85371098990

Environmental Product Compliance

RoHS Compliance Status	Compliant, No Exemption
------------------------	-------------------------

Approvals / Certificates

General approvals



Approval	Standard	Certificate Name
KC National Radio Research Agency	Article 58-2, Clause 3	KC R-R-W43-FB765

Downloads

Environmental Product Compliance

Compliance Search

Environmental Product
Compliance
765-4202/100-000



Documentation

Manual

Product Manual 8-Port-
IO Link Master Class B;
EtherCAT; 24 VDC / 2.0
A;
V 2.0.0
19.07.2022
pdf
8856.16 KB



System Description

WAGO I/O System Field;
General Product Infor-
mation
pdf
1009.23 KB



Instruction Leaflet

I/O System Field packa-
ge insert
15.12.2021
pdf
1083.98 KB



Application Notes

Application Note e!COCKPIT

e!COCKPIT Application
Note EtherCAT IO-Field
(a2022003)
1.0.0
23.03.2021
pptx
2143.63 KB



CAD/CAE-Data

CAD data

2D/3D Models
765-4202/100-000



CAE data

EPLAN Data Portal
765-4202/100-000




Runtime Software

Firmware

0765-x2xx, EtherCat IO-Field	V 04 02.02.2023	zip 1582.68 KB	
---------------------------------	--------------------	-------------------	---

Libraries

Device Description File

Gerätebeschreibungs- dateien 765-42xx, 765-12xx, EtherCAT	V1_1_0_22	zip 75.78 KB	
---	-----------	-----------------	---

1 Compatible Products

1.1 Required Accessories

1.1.1 Cover

1.1.1.1 Cover



[Item No.: 756-8103](#)

M12 protective cap; for unused plugs



[Item No.: 756-8102](#)

M12 protective cap; for unused sockets

1.1.2 Marking

1.1.2.1 Marker



[Item No.: 2009-115](#)

WMB-Inline; for Smart Printer; 1500 pieces on roll; stretchable 5 - 5.2 mm; plain; snap-on type; white

1.1.2.2 Marking strip



[Item No.: 2009-110](#)

Marking strips; for Smart Printer; on reel; not stretchable; plain; snap-on type; white

1.1.3 Tool

1.1.3.1 Assembly tool



[Item No.: 206-701](#)

Torque wrench M8 and M12; Assembly kit

1.2 Optional Accessories

1.2.1 Cables and connectors

1.2.1.1 Configurable connector



Item No.: 756-9701/050-000
Fitted pluggable connector; 5-pole, shielded; M12 plug, straight; IDC technology



Item No.: 756-9711/050-000
Fitted pluggable connector; 5-pole, shielded; M12 socket, straight; IDC technology



Item No.: 756-9205/050-000
Fitted pluggable connector; 5-pole; M12 plug, right angle; Spring



Item No.: 756-9202/050-000
Fitted pluggable connector; 5-pole; M12 plug, straight, A-coded; Spring

1.2.1.2 Configurable shielded connector



Item No.: 756-9501/040-000
Accessories; M12 plug, right angle; 4-pole



Item No.: 756-9501/060-000
Fitted pluggable connector; 4-pole, shielded; M12 plug, straight, D-coded; Spring

1.2.1.3 Distribution connector



Item No.: 756-9301/050-000
Accessories; 5-pole

1.2.1.4 ETHERNET/PROFINET cable



Item No.: 756-1202/060-100
ETHERNET cable; M12D plug; angled; 4-pole; Length: 10 m



Item No.: 756-1202/060-020
ETHERNET cable; M12D plug; angled; 4-pole; Length: 2 m



Item No.: 756-1202/060-200
ETHERNET cable; M12D plug; angled; 4-pole; Length: 20 m



Item No.: 756-1202/060-050
ETHERNET cable; M12D plug; angled; 4-pole; Length: 5 m



Item No.: 756-1204/060-010
ETHERNET cable; M12D plug; angled; M12D plug; angled; 4-pole; Length: 1 m



Item No.: 756-1204/060-100
ETHERNET cable; M12D plug; angled; M12D plug; angled; 4-pole; Length: 10 m



Item No.: 756-1204/060-020
ETHERNET cable; M12D plug; angled; M12D plug; angled; 4-pole; Length: 2 m



Item No.: 756-1204/060-200
ETHERNET cable; M12D plug; angled; M12D plug; angled; 4-pole; Length: 20 m



Item No.: 756-1204/060-030
ETHERNET cable; M12D plug; angled; M12D plug; angled; 4-pole; Length: 3 m



Item No.: 756-1204/060-050
ETHERNET cable; M12D plug; angled; M12D plug; angled; 4-pole; Length: 5 m



Item No.: 756-1201/060-100
ETHERNET cable; M12D plug; straight; 4-pole; Length: 10 m



Item No.: 756-1201/060-020
ETHERNET cable; M12D plug; straight; 4-pole; Length: 2 m



Item No.: 756-1201/060-200
ETHERNET cable; M12D plug; straight; 4-pole; Length: 20 m



Item No.: 756-1201/060-050
ETHERNET cable; M12D plug; straight; 4-pole; Length: 5 m



Item No.: 756-1203/060-100
ETHERNET cable; M12D plug; straight; M12D plug; straight; 4-pole; Length: 10 m



Item No.: 756-1203/060-020
ETHERNET cable; M12D plug; straight; M12D plug; straight; 4-pole; Length: 2 m



Item No.: 756-1203/060-200
ETHERNET cable; M12D plug; straight; M12D plug; straight; 4-pole; Length: 20 m



Item No.: 756-1203/060-050
ETHERNET cable; M12D plug; straight; M12D plug; straight; 4-pole; Length: 5 m

1.2.1.5 Power cable



Item No.: 756-3504/050-100
Power cable; M12L plug; angled; 5-pole;
Length: 10 m



Item No.: 756-3504/050-150
Power cable; M12L plug; angled; 5-pole;
Length: 15 m



Item No.: 756-3504/050-020
Power cable; M12L plug; angled; 5-pole;
Length: 2 m



Item No.: 756-3504/050-050
Power cable; M12L plug; angled; 5-pole;
Length: 5 m



Item No.: 756-3504/050-075
Power cable; M12L plug; angled; 5-pole;
Length: 7.5 m



Item No.: 756-3503/050-100
Power cable; M12L plug; straight; 5-pole;
Length: 10 m



Item No.: 756-3503/050-150
Power cable; M12L plug; straight; 5-pole;
Length: 15 m



Item No.: 756-3503/050-020
Power cable; M12L plug; straight; 5-pole;
Length: 2 m



Item No.: 756-3503/050-050
Power cable; M12L plug; straight; 5-pole;
Length: 5 m



Item No.: 756-3503/050-075
Power cable; M12L plug; straight; 5-pole;
Length: 7.5 m



Item No.: 756-3502/050-100
Power cable; M12L socket; angled; 5-pole;
Length: 10 m



Item No.: 756-3502/050-150
Power cable; M12L socket; angled; 5-pole;
Length: 15 m



Item No.: 756-3502/050-020
Power cable; M12L socket; angled; 5-pole;
Length: 2 m



Item No.: 756-3502/050-050
Power cable; M12L socket; angled; 5-pole;
Length: 5 m



Item No.: 756-3502/050-075
Power cable; M12L socket; angled; 5-pole;
Length: 7.5 m



Item No.: 756-3506/050-003
Power cable; M12L socket; angled; M12L
plug; angled; 5-pole; Length: 0.3 m



Item No.: 756-3506/050-005
Power cable; M12L socket; angled; M12L
plug; angled; 5-pole; Length: 0.5 m



Item No.: 756-3506/050-010
Power cable; M12L socket; angled; M12L
plug; angled; 5-pole; Length: 1 m



Item No.: 756-3506/050-100
Power cable; M12L socket; angled; M12L
plug; angled; 5-pole; Length: 10 m



Item No.: 756-3506/050-150
Power cable; M12L socket; angled; M12L
plug; angled; 5-pole; Length: 15 m



Item No.: 756-3506/050-020
Power cable; M12L socket; angled; M12L
plug; angled; 5-pole; Length: 2 m



Item No.: 756-3506/050-050
Power cable; M12L socket; angled; M12L
plug; angled; 5-pole; Length: 5 m



Item No.: 756-3506/050-075
Power cable; M12L socket; angled; M12L
plug; angled; 5-pole; Length: 7.5 m



Item No.: 756-3501/050-100
Power cable; M12L socket; straight; 5-pole;
Length: 10 m



Item No.: 756-3501/050-150
Power cable; M12L socket; straight; 5-pole;
Length: 15 m



Item No.: 756-3501/050-020
Power cable; M12L socket; straight; 5-pole;
Length: 2 m



Item No.: 756-3501/050-050
Power cable; M12L socket; straight; 5-pole;
Length: 5 m



Item No.: 756-3501/050-075
Power cable; M12L socket; straight; 5-pole;
Length: 7.5 m



Item No.: 756-3505/050-003
Power cable; M12L socket; straight; M12L
plug; straight; 5-pole; Length: 0.3 m



Item No.: 756-3505/050-005
Power cable; M12L socket; straight; M12L
plug; straight; 5-pole; Length: 0.5 m



Item No.: 756-3505/050-010
Power cable; M12L socket; straight; M12L
plug; straight; 5-pole; Length: 1 m



Item No.: 756-3505/050-100
Power cable; M12L socket; straight; M12L
plug; straight; 5-pole; Length: 10 m



Item No.: 756-3505/050-150
Power cable; M12L socket; straight; M12L
plug; straight; 5-pole; Length: 15 m



Item No.: 756-3505/050-020
Power cable; M12L socket; straight; M12L
plug; straight; 5-pole; Length: 2 m



Item No.: 756-3505/050-050
Power cable; M12L socket; straight; M12L
plug; straight; 5-pole; Length: 5 m



Item No.: 756-3505/050-075
Power cable; M12L socket; straight; M12L
plug; straight; 5-pole; Length: 7.5 m

1.2.1.6 Sensor/actuator cable



Item No.: 756-5312/050-015
Sensor/Actuator cable; M12A plug;
angled; 5-pole; Length: 1.5 m



Item No.: 756-5312/050-100
Sensor/Actuator cable; M12A plug;
angled; 5-pole; Length: 10 m



Item No.: 756-5312/050-050
Sensor/Actuator cable; M12A plug;
angled; 5-pole; Length: 5 m



Item No.: 756-5311/050-015
Sensor/Actuator cable; M12A plug;
straight; 5-pole; Length: 1.5 m



Item No.: 756-5311/050-100
Sensor/Actuator cable; M12A plug;
straight; 5-pole; Length: 10 m



Item No.: 756-5311/050-050
Sensor/Actuator cable; M12A plug;
straight; 5-pole; Length: 5 m



Item No.: 756-5404/050-010
Sensor/Actuator cable; M12A socket;
angled; M12A plug; angled; 5-pole;
Length: 1 m



Item No.: 756-5404/050-020
Sensor/Actuator cable; M12A socket;
angled; M12A plug; angled; 5-pole;
Length: 2 m



Item No.: 756-5403/050-010
Sensor/Actuator cable; M12A socket;
angled; M12A plug; straight; 5-pole;
Length: 1 m



Item No.: 756-5403/050-020
Sensor/Actuator cable; M12A socket;
angled; M12A plug; straight; 5-pole;
Length: 2 m



Item No.: 756-5402/050-010
Sensor/Actuator cable; M12A socket;
straight; M12A plug; angled; 5-pole;
Length: 1 m



Item No.: 756-5402/050-020
Sensor/Actuator cable; M12A socket;
straight; M12A plug; angled; 5-pole;
Length: 2 m

1.2.1.6 Sensor/actuator cable



Item No.: 756-5401/050-010

Sensor/Actuator cable; M12A socket;
straight; M12A plug; straight; 5-pole;
Length: 1 m

Item No.: 756-5401/050-020

Sensor/Actuator cable; M12A socket;
straight; M12A plug; straight; 5-pole;
Length: 2 m