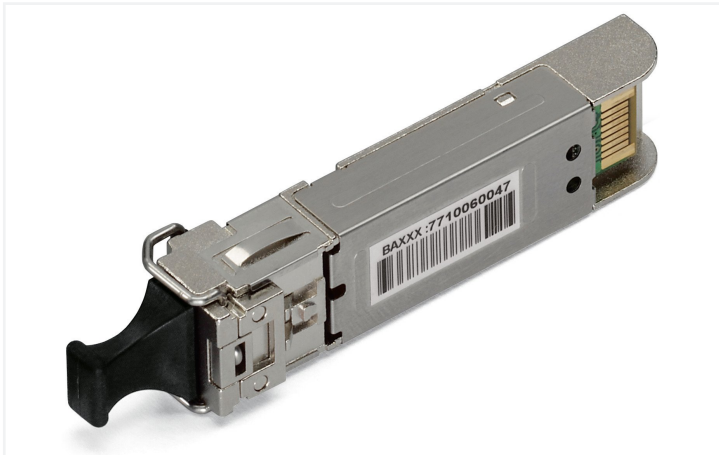


Data Sheet | Item Number: 852-1210

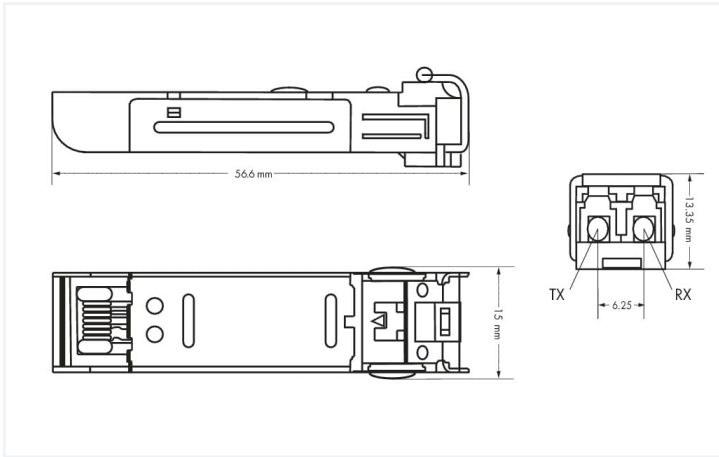
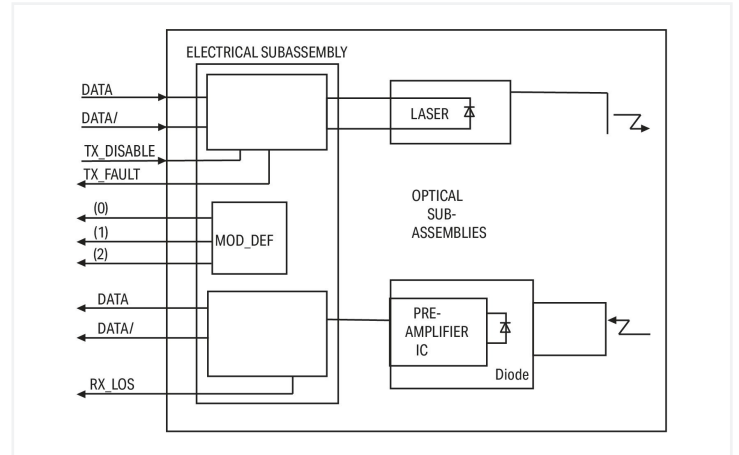
SFP Module 1000BASE; LX Single-Mode 1310 nm LC; 10 km; Extended temperature range; Digital Diagnostics Monitoring; silver-colored

<https://www.wago.com/852-1210>



Color: ■ silver-colored

Similar to illustration



Dimensions in mm

Features:

- Duplex LC optical connector
- Small Form-Factor Pluggable (SFP) industry-standard design
- Compliant with IEEE802.3z Gigabit ETHERNET Standard
- Differential LVPECL inputs and outputs
- Power supply: 3.3 V
- TTL signal detect indicator
- Hot-pluggable capability

Technical data	
Optical fiber type	Single-mode

Connection data	
Connection technology: communication/fieldbus	1 x SFP; LC fiber-optic connector
Connection requirement (permissible cable length)	10000 m
Connection requirement (permissible cable type)	Single-mode fiber 9/125 μm; Wavelength: 1310 nm

Physical data

Width	13.4 mm / 0.528 inches
Height	13.3 mm / 0.524 inches
Depth	56.6 mm / 2.228 inches

Mechanical data

Weight	17 g
Color	silver-colored

Environmental requirements

Ambient temperature (operation)	-40 ... +85 °C
Ambient temperature (storage)	-40 ... +85 °C
Fire load	0 MJ

Commercial data

eCl@ss 10.0	19-17-01-30
eCl@ss 9.0	19-17-01-06
ETIM 8.0	EC000309
ETIM 7.0	EC000309
PU (SPU)	1 pcs
Packaging type	Box
Country of origin	TW
GTIN	4055143394185
Customs tariff number	85176200000

Environmental Product Compliance

RoHS Compliance Status	Compliant, No Exemption
------------------------	-------------------------

Approvals / Certificates

General approvals



Approval	Standard	Certificate Name
EAC Brjansker Zertifizierungs- stelle	TP TC 020/2011	EAC RU C-DE.AM02. B.00087/19
KC National Radio Research Agency	Article 58-2, Clause 3	MSIP-REM-W43-SFP852

Declarations of conformity and manufacturer's declarations

Approval	Standard	Certificate Name
----------	----------	------------------

EU-Declaration of Confor- mity WAGO GmbH & Co. KG	-	-
---	---	---

Downloads

Environmental Product Compliance




Compliance Search

Environmental Product
Compliance 852-1210




Documentation

Bid Text

852-1210	19.02.2019	xml 3.86 KB	
852-1210	09.10.2017	doc 26.50 KB	
ausschreiben.de 852-1210			

CAD/CAE-Data

CAE data

EPLAN Data Portal 852-1210	
WSCAD Universe 852-1210	