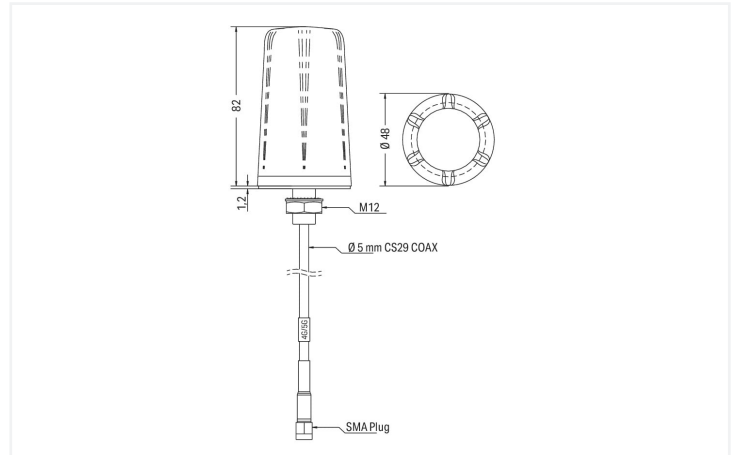


## Data Sheet | Item Number: 758-974

Radio antenna; with 2m cable and SMA plug; GSM/ UMTS/ LTE/ Bluetooth®/ WLAN;  
698-960, 1710-6000 MHz; 2G/3G/4G/5G

<https://www.wago.com/758-974>



- The antenna must be mounted on a conductive base plate measuring at least 40 x 40 cm.
- The distance of interfering sources to the antenna and antenna line must be at least 30 cm. The free space between the antenna and the next wall must be at least 35 cm.
- The antenna cable must not, under any circumstances, be bent sharply, or the antenna line may be irreversibly damaged.

### Technical data

Radio technology	GSM UMTS LTE Bluetooth® WLAN 5G
Frequency band	617 ... 960 MHz; 1710 ... 6000 MHz
Gain	617 ... 960 MHz: 1dBi; 1710 ... 2700 MHz: 4dBi; 3400 ... 3800 MHz: 8dBi; 4900 ... 6000 MHz: 9dBi

### Mechanical data

Mounting type	Enclosure installation; adhesive strips
Cable type	CS29
Connector	SMA plug
Length of connection cable	2 m

### Material data

Fire load	0 MJ
Weight	185 g

### Environmental requirements

Ambient temperature (operation)	-40 ... +85 °C
Protection type	IP66

**Commercial data**

ETIM 8.0	EC001698
ETIM 7.0	EC001698
PU (SPU)	1 pcs
Packaging type	Bag
Country of origin	CN
GTIN	4066966093957
Customs tariff number	85291095900

**Environmental Product Compliance**

RoHS Compliance Status	Compliant, No Exemption
------------------------	-------------------------

**Downloads**

**Environmental Product Compliance**

**Compliance Search**

Environmental Product Compliance 758-974	
--	---