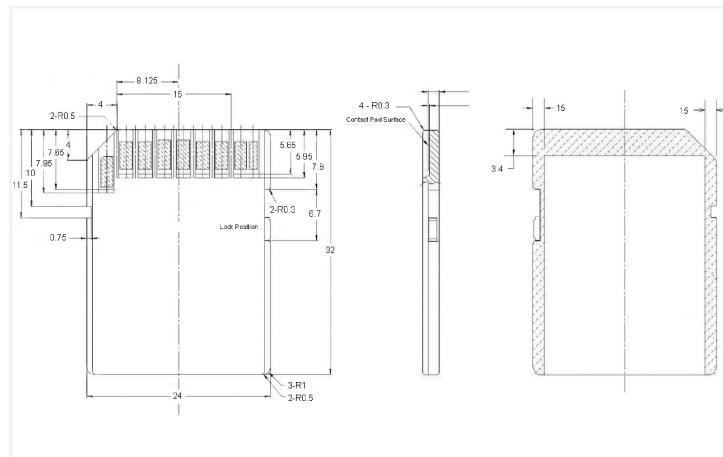


Data Sheet | Item Number: 758-879/000-2108
Memory Card SD; pSLC-NAND; 8 GB; Temperature range: -40 to 90°C

<https://www.wago.com/758-879/000-2108>



Dimensions in mm

Technical data

Memory	8 GB (pSLC)
Write/read cycles (max.)	45 MB/s / 50 MB/s
MTBF	> 2 million h
Service life	20,000 write cycles (per cell)

Physical data

Width	24 mm
Height	32 mm
Depth	2.1 mm

Material data

Fire load	0 MJ
Weight	1.7 g

Environmental requirements


Ambient temperature (operation)	-40 ... +90 °C
Ambient temperature (storage)	-40 ... +90 °C
Relative humidity (without condensation)	95 %
Vibration resistance	15g
Shock resistance	50g

Commercial data

ETIM 8.0	EC001068
ETIM 7.0	EC001068
PU (SPU)	1 pcs
Packaging type	Bag
Country of origin	DE
GTIN	4055143904834
Customs tariff number	85235110000

Environmental Product Compliance	
RoHS Compliance Status	Compliant, No Exemption

Approvals / Certificates

General approvals			Declarations of conformity and manufacturer's declarations		
					
Approval	Standard	Certificate Name	Approval	Standard	Certificate Name
EAC Brjansker Zertifizierungs- stelle	TP TC 020/2011	EAC RU C-DE.AM02. B.00087/19	EU-Declaration of Confor- mity WAGO GmbH & Co. KG	-	-

Downloads

Environmental Product Compliance	
Compliance Search	
Environmental Product Compliance 758-879/000-2108	↓

Documentation

Bid Text		
758-879/000-2108	xml 3.14 KB	↓
758-879/000-2108	docx 13.56 KB	↓
ausschreiben.de 758-879/000-2108		↓