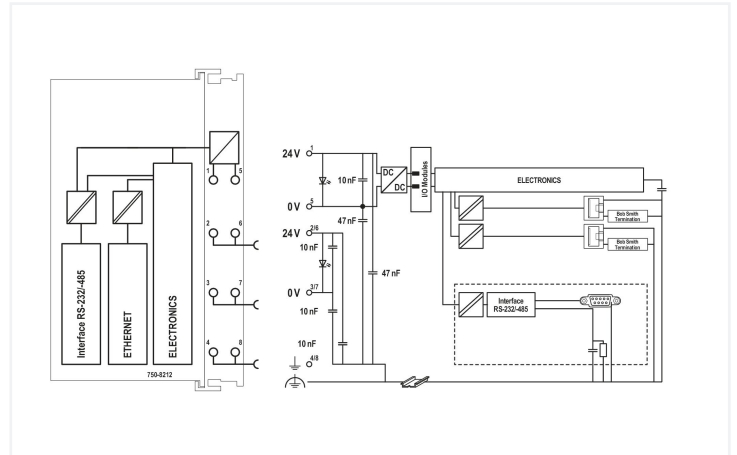


# Data Sheet | Item Number: 750-8212/025-002

Controller PFC200; 2nd Generation; 2 x ETHERNET, RS-232/-485; Telecontrol technology; Ext. Temperature; ECO

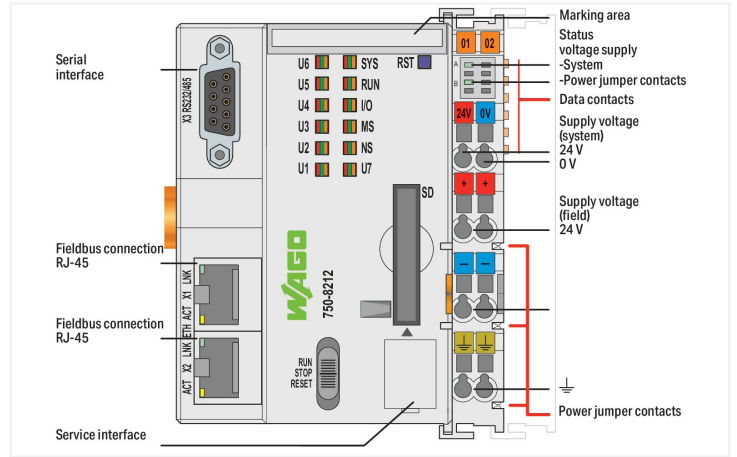
<https://www.wago.com/750-8212/025-002>



Similar to illustration

PFC200 Communication Options Overview

Option	Part No.	Module	Modbus	RS-232	RS-485	ETHERNET	SD	Web	Temp	Ext. Temp	ECO
Standard	750-8212	Standard	✓	✓	✓	✓	✓	✓	✓	✓	✓
Option 1	750-8212-001	Standard	✓	✓	✓	✓	✓	✓	✓	✓	✓
Option 2	750-8212-002	Standard	✓	✓	✓	✓	✓	✓	✓	✓	✓
Option 3	750-8212-003	Standard	✓	✓	✓	✓	✓	✓	✓	✓	✓
Option 4	750-8212-004	Standard	✓	✓	✓	✓	✓	✓	✓	✓	✓
Option 5	750-8212-005	Standard	✓	✓	✓	✓	✓	✓	✓	✓	✓
Option 6	750-8212-006	Standard	✓	✓	✓	✓	✓	✓	✓	✓	✓
Option 7	750-8212-007	Standard	✓	✓	✓	✓	✓	✓	✓	✓	✓
Option 8	750-8212-008	Standard	✓	✓	✓	✓	✓	✓	✓	✓	✓
Option 9	750-8212-009	Standard	✓	✓	✓	✓	✓	✓	✓	✓	✓
Option 10	750-8212-010	Standard	✓	✓	✓	✓	✓	✓	✓	✓	✓
Option 11	750-8212-011	Standard	✓	✓	✓	✓	✓	✓	✓	✓	✓
Option 12	750-8212-012	Standard	✓	✓	✓	✓	✓	✓	✓	✓	✓
Option 13	750-8212-013	Standard	✓	✓	✓	✓	✓	✓	✓	✓	✓
Option 14	750-8212-014	Standard	✓	✓	✓	✓	✓	✓	✓	✓	✓
Option 15	750-8212-015	Standard	✓	✓	✓	✓	✓	✓	✓	✓	✓
Option 16	750-8212-016	Standard	✓	✓	✓	✓	✓	✓	✓	✓	✓
Option 17	750-8212-017	Standard	✓	✓	✓	✓	✓	✓	✓	✓	✓
Option 18	750-8212-018	Standard	✓	✓	✓	✓	✓	✓	✓	✓	✓
Option 19	750-8212-019	Standard	✓	✓	✓	✓	✓	✓	✓	✓	✓
Option 20	750-8212-020	Standard	✓	✓	✓	✓	✓	✓	✓	✓	✓



The PFC200 Controller is a compact PLC for the modular WAGO I/O System. Besides network and fieldbus interfaces, the controller supports all digital, analog and specialty modules found within the 750/753 Series.

Two ETHERNET interfaces and an integrated switch enable line topology wiring. An integrated Webserver provides user configuration options, while displaying PFC200 status information. Besides the processing industry and building automation, typical applications for the PFC200 include standard machinery and equipment control (e.g., packaging, bottling and manufacturing systems, as well as textile, metal and wood processing machines).

- Programming per IEC 61131-3
- Programmable with CODESYS V3.5 from Firmware Release 23, WAGO-I/O-PRO V2.3 or e!COCKPIT up to Firmware Release 22
  - Direct connection of WAGO's I/O modules
  - 2 x ETHERNET (configurable), RS-232/-485
  - Linux operating system with RT-Preempt patch
  - Configuration via CODESYS or Web-Based Management user interface
  - Maintenance-free

Technical data	
Communication	Modbus TCP master/slave Modbus (UDP), WagoAppPlcModbus Library Modbus (RTU), WagoAppPlcModbus Library ETHERNET EtherNet/IP™ Adapter (slave) EtherNet/IP™ Scanner EtherCAT® Master OPC UA Server/Client OPC UA Pub/Sub (can be installed later) MQTT Telecontrol protocols RS-232 serial interface RS-485 interface BACnet/IP, <b>requires an additional license</b>

Technical data	
ETHERNET protocols	DHCP DNS NTP FTP FTPS SNMP HTTP HTTPS SSH
Telecontrol protocols	IEC 60870 IEC 61850 DNP3
Visualization	Web-Visu
Operating system	Real-time Linux (with RT-Preempt patch)
CPU	Cortex A8; 1 GHz
Programming languages per IEC 61131-3	Instruction List (IL) Ladder Diagram (LD) Function Block Diagram (FBD) Continuous Function Chart (CFC) Structured Text (ST) Sequential Function Chart (SFC)
Programming environment	CODESYS V3.5, Firmware Release 23 or higher <b>e!</b> COCKPIT (based on CODESYS V3) up to Firmware Release 22 WAGO-I/O-PRO V2.3 (based on CODESYS V2.3), up to Firmware Release 22
Configuration options	CODESYS V3 <b>e!</b> COCKPIT WAGO-I/O-CHECK Web-Based Management <b>e!</b> RUNTIME library CODESYS Library
Baud rate (communication/fieldbus 1)	10/100 Mbit/s
Baud rate	ETHERNET: 10/100 Mbit/s
Transmission medium (communication/fieldbus)	ETHERNET: Twisted pair S-UTP; 100 Ω; Cat. 5; 100 m maximum cable length
Main memory (RAM)	512 MB
Internal memory (flash)	4096 MB
Non-volatile hardware memory	128 KB
Program memory	CODESYS V2: 16 MB; CODESYS V3: 32 MB
Data memory	CODESYS V2: 64 MB; CODESYS V3: 128 MB
Non-volatile software memory	128 KB 128 KB
Type of memory card	SD and SDHC up to 32 GB (all guaranteed properties only valid with WAGO's memory card)
Memory card slot	Push-push mechanism; cover lid (sealable)
Number of modules per node (max.)	6
Input and output process image (internal) max.	1000 words/1000 words
Input and output process image (Modbus®) max.	CODESYS V2: 1000 words/1000 words; CODESYS V3: 32000 words/32000 words
Indicators	LED (SYS, RUN, I/O, U1 ... U7) red/green/orange: Status of system, program, local data bus, status programmable by user (can be used via CODESYS library); LED (A, B) green: Status of system power supply, field supply
Supply voltage (system)	24 VDC (-25 ... +30 %); via pluggable connector (CAGE CLAMP® connection)
Input current (typ.) at nominal load (24 V)	550 mA
Total current (system supply)	1700 mA
Supply voltage (field)	24 VDC (-25 ... +30 %); via power jumper contacts
Current carrying capacity (power jumper contacts)	10 A
Number of outgoing power jumper contacts	3
Isolation	500 V system/field

### Connection data

Connection technology: communication/fieldbus	Modbus (TCP, UDP): 2 x RJ-45; Modbus RTU: 1 x D-sub 9 socket; RS-232 serial interface: 1 x D-sub 9 socket; RS-485 interface: 1 x D-sub 9 socket; Telecontrol protocol IEC 60870-5-101/-103: 1 x D-sub 9 socket; Telecontrol protocol IEC 60870-5-104: 1 x RJ-45; Telecontrol protocol IEC 61850: 1 x RJ-45; Telecontrol protocol DNP3: 1 x RJ-45 or D-sub 9 socket
Connection technology: system supply	2 x CAGE CLAMP®
Connection technology: field supply	6 x CAGE CLAMP®
Connection type 1	System/field supply
Solid conductor	0.08 ... 2.5 mm <sup>2</sup> / 28 ... 14 AWG
Fine-stranded conductor	0.08 ... 2.5 mm <sup>2</sup> / 28 ... 14 AWG
Strip length	8 ... 9 mm / 0.31 ... 0.35 inches
Connection technology: device configuration	1 x Male connector; 4-pole

### Physical data

Width	78.6 mm / 3.094 inches
Height	100 mm / 3.937 inches
Depth	71.9 mm / 2.831 inches
Depth from upper-edge of DIN-rail	64.7 mm / 2.547 inches

### Mechanical data

Weight	214 g
Housing material	Polycarbonate; polyamide 6.6
Conformity marking	CE

### Environmental requirements

Ambient temperature (operation)	-20 ... +60 °C
Ambient temperature (storage)	-40 ... +85 °C
Protection type	IP20
Pollution degree	2 per IEC 61131-2
Operating altitude	without temperature derating: 0 ... 2000 m; with temperature derating: 2000 ... 5000 m (0.5 K/100 m); 5000 m (max.)
Relative humidity (without condensation)	95 %
Relative humidity (with condensation)	Short-term condensation per Class 3K6/IEC EN 60721-3-3 and E-DIN 40046-721-3, accounting for a temperature range of -20 to +60 °C (except for wind-driven precipitation, water and ice formation)
Mounting position	any
Mounting type	DIN-35 rail
Vibration resistance	4g per IEC 60068-2-6
Shock resistance	15g per IEC 60068-2-27
EMC immunity to interference	per EN 61000-6-2, marine applications
EMC emission of interference	per EN 61000-6-3, marine applications
Exposure to pollutants	per IEC 60068-2-42 and IEC 60068-2-43
Fire load	2.549 MJ
Permissible H <sub>2</sub> S contaminant concentration at a relative humidity 75 %	10 ppm
Permissible SO <sub>2</sub> contaminant concentration at a relative humidity 75 %	25 ppm

### Commercial data

eCl@ss 10.0	27-24-26-07
eCl@ss 9.0	27-24-26-07
ETIM 8.0	EC000236
ETIM 7.0	EC000236
PU (SPU)	1 pcs
Packaging type	Box
Country of origin	DE
GTIN	4055143765077
Customs tariff number	85371091990

### Environmental Product Compliance

CAS-No.	1303-86-2 1317-36-8 693-98-1 7439-92-1 79-94-7
REACH Candidate List Substance	2,2',6,6'-tetrabromo-4,4'-isopropylidenediphenol 2-methylimidazole Diboron trioxide Lead Lead monoxide Perfluorobutane sulfonic acid (PFBS) and its salts
RoHS Compliance Status	Compliant,With Exemption
RoHS Exemption	6(c) 7(a) 7(c)-I 7(c)-II
SCIP notification number (Austria)	b87db705-c6bb-4492-9160-e0b31e1ea94f
SCIP notification number (Belgium)	e320490c-a0db-4176-9031-93f81cec07bd
SCIP notification number (Bulgaria)	bd70db6b-cc26-4ffb-8ffe-94ff6d64fcf4
SCIP notification number (Czech Republic)	bc5f6e11-de48-42e5-be5e-09edd7599d02
SCIP notification number (Denmark)	56ae3d74-2adf-45f4-a7fb-d6f6506f714f
SCIP notification number (Finland)	1db2a651-cfa4-4b82-b6b2-669d07342c20
SCIP notification number (France)	9ae49600-e3c5-4466-845f-9fc70bf0290c
SCIP notification number (Germany)	3d2167dc-fbbc-4ee6-b17e-fba28db48e5a
SCIP notification number (Hungary)	f19cd086-7339-4b5e-8f74-e3d2ef0df9fb
SCIP notification number (Italy)	09c23d09-80e7-422b-b41c-54105f1ba597
SCIP notification number (Netherlands)	62f18751-fc0d-41bb-af3f-34b87fc53e1b
SCIP notification number (Poland)	ec73c1e2-de09-4a86-a825-d9b00392272c
SCIP notification number (Romania)	5b970301-7d90-450d-89d8-b3fc0f64d9a5
SCIP notification number (Sweden)	06bb16fa-477f-4ca2-bda7-7d6586e5c546

### Approvals / Certificates

#### General approvals



Approval	Standard	Certificate Name
EAC Brjansker Zertifizierungs- stelle	TP TC 020/2011	EAC RU C-DE.AM02. B.00087/19
KC National Radio Research Agency	Article 58-2, Clause 3	MSIP-REM-W43-PFC750
UL Underwriters Laboratories Inc. (ORDINARY LOCATI- ONS)	-	E175199

#### Declarations of conformity and manufacturer's declarations

Approval	Standard	Certificate Name
EU-Declaration of Confor- mity WAGO GmbH & Co. KG	-	-

Approvals for marine applications



Approval	Standard	Certificate Name
ABS American Bureau of Ship- ping	-	22-2227356-PDA
BSH Bundesamt fuer See- schifffahrt und Hydrogra- phie	-	1104
DNV DNV Germany GmbH	DNV-CG-0339,Aug.2021	TAA00001J4

Approvals for hazardous areas



Approval	Standard	Certificate Name
ATEX TUEV Nord Cert GmbH	EN 60079-0	TUEV14ATEX148929X (II 3 G Ex ec IIC T4 Gc)
CCCEX CQST/CNEx	CNCA-C23-01	2020312310000213 (Ex ec IIC T4 Gc)
EAC Brjansker Zertifizierungs- stelle	TP TC 012/2011	EAC RU C-DE.AM02. B.00163/19 (2Ex e IIC T4 Gc X)
IECEX TUEV Nord Cert GmbH	IEC 60079-0	IECEX TUN 14.0035 X (Ex ec IIC T4 Gc)
INMETRO TÜV Rheinland do Brasil Ltda.	IEC 60079-0	BR-Ex_TÜV 12.1297 X
UKEx WAGO GmbH & Co. KG	EN 60079-0	UKCA_WA GO22UKEX003X_ec
UL Underwriters Laboratories Inc. (HAZARDOUS LOCA- TIONS)	UL 121201	E198726 Sec.1

Downloads

Environmental Product Compliance

Compliance Search
Environmental Product Compliance 750-8212/025-002 <a href="#">↓</a>

Documentation

Manual			
Cyber Security for Con- troller PFC100 / PFC200	V 1.2.0	pdf 8128.80 KB	<a href="#">↓</a>
Product Manual PFC200 G2 2ETH RS	1.12.0 / FW 25 23.06.2023	pdf 4683.15 KB	<a href="#">↓</a>
Product Manual Confi- gure IEC 61850	V 1.4.0 20.07.2023	pdf 6642.16 KB	<a href="#">↓</a>
System Manual WAGO I/O System 750/753	V 3.3.3 29.08.2023	pdf 8512.61 KB	<a href="#">↓</a>
Product Manual Confi- gure IEC 60870	V 1.3.0 20.07.2023	pdf 8754.70 KB	<a href="#">↓</a>
System Manual Series 750/753			<a href="#">↓</a>
Product Manual OPC UA Mapping Editor	V 1.1.0 11.03.2022	pdf 3314.23 KB	<a href="#">↓</a>
OPC_UA Mapping Edi- tor			<a href="#">↓</a>
Product Manual WAGO MODBUS Master Confi- gurator	V 1.1.0	pdf 1761.59 KB	<a href="#">↓</a>
Product Manual Confi- gure DNP3	V 1.3.0 20.07.2023	pdf 7466.95 KB	<a href="#">↓</a>

Manual			
Migration Guide	V 1.3.0 03.07.2023	pdf 4938.74 KB	<a href="#">↓</a>
Migrationsleitfaden von e!COCKPIT-Projekten zu CODESYS V3.5			<a href="#">↓</a>



System Description			
Overview on WAGO-I/O-SYSTEM 750 approvals	pdf	770.48 KB	<a href="#">↓</a>
Controller PFC100/200, General Product Information	pdf	578.66 KB	<a href="#">↓</a>

Tutorial			
WAGO IEC 61850 solution (Transformer)	1.0	01.06.2012	wmv 19483.43 KB <a href="#">↓</a>
Establish connection to a controller using SSH	1.0	05.08.2017	mp4 28368.02 KB <a href="#">↓</a>
Set IP address with Ethernet Settings	3.0	18.12.2017	mp4 86272.82 KB <a href="#">↓</a>
Tutorial WAGO IEC 61850 / 61400 solution	1.0	01.06.2012	wmv 44339.58 KB <a href="#">↓</a>
WAGO IEC 61400-25 solution (Windmill)	1.0	01.06.2012	wmv 19878.48 KB <a href="#">↓</a>

Additional Information			
WAGO OPC UA Server	V 1.1.0 28.01.2021	pdf	1132.87 KB <a href="#">↓</a>

Bid Text			
750-8212/025-002	19.02.2019	xml	10.04 KB <a href="#">↓</a>
750-8212/025-002	21.11.2018	docx	22.02 KB <a href="#">↓</a>

Instruction Leaflet			
CCC Ex (Additional information)	26.04.2023	pdf	159.76 KB <a href="#">↓</a>

### Application Notes

Application Note CoDeSys 2.3			
Application note for installing a MySQL-Server on a PFC-Controller	1.0.4 16.05.2019	zip	4392.22 KB <a href="#">↓</a>
Application note Cloud Connectivity	2019-09-17 17.09.2019	zip	3973.74 KB <a href="#">↓</a>
HART Tool Routing via ETHERNET with 750-820x/750-88x and CODESYS 2.3 (a116120)	1.0.0 22.03.2019	pdf	3798.36 KB <a href="#">↓</a>
Using the web visualization with Java™ runtime environment (JRE, JVM) 7 update 51 (7u51) (a500690)	1.2.4 26.02.2019	zip	4896.43 KB <a href="#">↓</a>
Application Note PowerMeasurement_03 Library	19.01.2011 19.03.2012	zip	932.08 KB <a href="#">↓</a>
Application Note: DMX_02	26.04.2017 26.04.2017	zip	733.43 KB <a href="#">↓</a>
HVAC System Macros	10.03.2017 15.03.2019	zip	13252.92 KB <a href="#">↓</a>
Application Note: Mp-Bus_03 Library	2020-08-14 14.08.2020	zip	513.66 KB <a href="#">↓</a>
Connection of a Thermokon Thanos SR L MODBUS room control unit to the WAGO-I/O-SYSTEM	02.05.2013 13.05.2013	zip	305.89 KB <a href="#">↓</a>
Anbindung der HKW-Elektronik Wetterprognose-Station WS-K xx T ModBus	1.1 07.07.2017	zip	762.78 KB <a href="#">↓</a>

Application Note CoDeSys 2.3			
Application Note Scheduler_03.lib	20.05.2011 20.05.2011	zip	1717.92 KB <a href="#">↓</a>
Application Note Connecting with an iPod Touch	30.03.2011 28.10.2011	zip	428.79 KB <a href="#">↓</a>
GRUNDFOS GENibus interface, application note	20.03.2017 20.03.2017	zip	279.86 KB <a href="#">↓</a>
Connection of Thermokon Multi-function room control units WRF 08	10.04.2019 10.04.2019	zip	855.84 KB <a href="#">↓</a>
Connection of DMX devices to the WAGO-I/O-SYSTEM via the ArtNet-DMX STAGE-PROFI 1.1	11.01.2013 11.01.2013	zip	1450.63 KB <a href="#">↓</a>
Connection of Thermokon Multi-function room control units WRF 06	10.04.2019 08.04.2016	zip	826.10 KB <a href="#">↓</a>
Application Note for the 750-494 3-Phase Power Measurement Module	24.01.2014 11.11.2014	zip	1629.99 KB <a href="#">↓</a>
Application Note: EnOcean_06 Library	30.11.2016 30.11.2016	zip	822.25 KB <a href="#">↓</a>
Application Note for the 750-495 3-Phase Power Measurement Module	24.01.2014 24.01.2014	zip	1806.18 KB <a href="#">↓</a>
Application Note Library WagoDatalogger_02	2020-05-20 20.05.2020	zip	1256.74 KB <a href="#">↓</a>
Application Note Weather Station Elsner P03 Modbus	01.12.2011 28.10.2011	zip	269.09 KB <a href="#">↓</a>

Application Note CoDeSys 2.3			
Application note: DALI 753-647 Configuration Interface	1.0.2 29.04.2019	zip 3032.71 KB	<a href="#">↓</a>
HLK-Anlagenmakros für TRIC	2015-07-10 10.07.2015	zip 74963.43 KB	<a href="#">↓</a>
Application Note Library ModuleAccess_01	05.01.2016 29.01.2016	zip 1001.22 KB	<a href="#">↓</a>
Anwendungshinweis für die Steuerung eines Iqbus robotlink	12.11.2015 12.11.2015	zip 1281.38 KB	<a href="#">↓</a>

Application Note e!COCKPIT			
e!COCKPIT application note installation MySQL-Server	1.0.3 09.09.2019	pdf 1868.46 KB	<a href="#">↓</a>
e!COCKPIT application note WagoAppCloud	2022-11-04 04.11.2022	zip 2678.52 KB	<a href="#">↓</a>
HART Tool Routing via ETHERNET with 750-820x and e!RUNTIME (a116130)	1.0.0 22.03.2019	pdf 2867.01 KB	<a href="#">↓</a>
SNMP Communication (a500850)	1.1.0 20.02.2020	zip 3743.05 KB	<a href="#">↓</a>
e!COCKPIT Anwendungshinweis HVAC BACnet Macros (a2021010)	1.3.0 27.02.2023	zip 67588.63 KB	<a href="#">↓</a>
e!COCKPIT Application Note OPC UA Client (a2022001)	1.0.0 05.04.2022	zip 1336.65 KB	<a href="#">↓</a>
Application Note WAGO Visualization Datalogger (a2022005)	20230622 22.06.2023	zip 3852.71 KB	<a href="#">↓</a>

Application note, other			
		pdf 2174.17 KB	<a href="#">↓</a>

CAD/CAE-Data			
CAD data		CAE data	
2D/3D Models 750-8212/025-002	<a href="#">↓</a>	EPLAN Data Portal 750-8212/025-002	<a href="#">↓</a>
		ZUKEN Portal 750-8212/025-002	<a href="#">↓</a>

Engineering-Software			
Configuration and Commissioning Software			
WAGO-IO-PRO Demo-Version (759-912) / Serie 750, 758 und 762	V 2.3.9.68 17.02.2022	zip 122524.17 KB	<a href="#">↓</a>
(759-316) WAGO Ethernet Settings / Serie 750	06.18.01.01 02.09.2021	zip 26678.54 KB	<a href="#">↓</a>
WAGOupload	1.16.1.0 02.02.2022	zip 12111.45 KB	<a href="#">↓</a>

## Runtime Software

Firmware			
Image Update (SD Karte) PFC100/200 für Codesys V2.3 u. Elcockpit	V 22 SP1 12.12.2022	zip 205815.20 KB	
PFC200, Firmware Update für CoDeSys V3.5	V 23 24.02.2023	zip 167985.38 KB	
WUP Update (WAGOuploadTool) PFC100/200 Codesys V2,3 u. Elcockpit	V 22 SP1 12.12.2022	zip 203580.70 KB	

## Libraries

Library			
WagoConfigToolLIB	1.0.0 08.10.2013	pdf 340.92 KB	
WagoLibLed	1.0.0	pdf 504.39 KB	
Library WagoLib-Cloud_02.lib	2.2.4 21.01.2020	zip 56.21 KB	
WAGO_Datalogger_02.lib	2.7 20.05.2020	zip 662.90 KB	

## 1 Compatible Products

### 1.1 Optional Accessories

#### 1.1.1 Cables and connectors

##### 1.1.1.1 Connector plug



**Item No.: 750-979/000-011**  
Connector ETHERNET; RJ-45; Cat. 6A; angled; Code T568A; AWG 22; Strain relief



**Item No.: 750-979/000-021**  
Connector ETHERNET; RJ-45; Cat. 6A; angled; Code T568A; AWG 24; Strain relief



**Item No.: 750-979/000-012**  
Connector ETHERNET; RJ-45; Cat. 6A; angled; Code T568B; AWG 22; Strain relief



**Item No.: 750-979/000-022**  
Connector ETHERNET; RJ-45; Cat. 6A; angled; Code T568B; AWG 24; Strain relief



**Item No.: 750-977/000-011**  
Connector ETHERNET; RJ-45; Cat. 6A; straight; Code T568A; AWG 22



**Item No.: 750-978/000-011**  
Connector ETHERNET; RJ-45; Cat. 6A; straight; Code T568A; AWG 22; Strain relief



**Item No.: 750-977/000-021**  
Connector ETHERNET; RJ-45; Cat. 6A; straight; Code T568A; AWG 24



**Item No.: 750-978/000-021**  
Connector ETHERNET; RJ-45; Cat. 6A; straight; Code T568A; AWG 24; Strain relief



**Item No.: 750-977/000-012**  
Connector ETHERNET; RJ-45; Cat. 6A; straight; Code T568B; AWG 22



**Item No.: 750-978/000-012**  
Connector ETHERNET; RJ-45; Cat. 6A; straight; Code T568B; AWG 22; Strain relief



**Item No.: 750-977/000-022**  
Connector ETHERNET; RJ-45; Cat. 6A; straight; Code T568B; AWG 24



**Item No.: 750-978/000-022**  
Connector ETHERNET; RJ-45; Cat. 6A; straight; Code T568B; AWG 24; Strain relief



**Item No.: 750-975**  
ETHERNET RJ-45 connector, IP20; ETHERNET 10/100 Mbit/s; for field assembly



### 1.1.2 Communication

#### 1.1.2.1 Communication cable



**Item No.: 750-923**

Configuration cable; USB connector;  
Length: 2.5 m

**Item No.: 750-923/000-001**

Configuration cable; USB connector;  
Length: 5 m

### 1.1.3 DIN-rail

#### 1.1.3.1 Mounting accessories



**Item No.: 210-196**

Aluminum carrier rail; 35 x 8.2 mm; 1.6 mm thick; 2 m long; unslotted; similar to EN 60715; silver-colored

**Item No.: 210-198**

Copper carrier rail; 35 x 15 mm; 2.3 mm thick; 2 m long; unslotted; according to EN 60715; copper-colored

**Item No.: 210-508**

Steel carrier rail; 35 x 15 mm; 1.5 mm thick; 2 m long; slotted; galvanized; similar to EN 60715; silver-colored

**Item No.: 210-197**

Steel carrier rail; 35 x 15 mm; 1.5 mm thick; 2 m long; slotted; similar to EN 60715; silver-colored



**Item No.: 210-506**

Steel carrier rail; 35 x 15 mm; 1.5 mm thick; 2 m long; unslotted; galvanized; similar to EN 60715; silver-colored

**Item No.: 210-114**

Steel carrier rail; 35 x 15 mm; 1.5 mm thick; 2 m long; unslotted; similar to EN 60715; silver-colored

**Item No.: 210-118**

Steel carrier rail; 35 x 15 mm; 2.3 mm thick; 2 m long; unslotted; according to EN 60715; silver-colored

**Item No.: 210-115**

Steel carrier rail; 35 x 7.5 mm; 1 mm thick; 2 m long; slotted; according to EN 60715; "Hole width 18 mm; silver-colored



**Item No.: 210-112**

Steel carrier rail; 35 x 7.5 mm; 1 mm thick; 2 m long; slotted; according to EN 60715; "Hole width 25 mm; silver-colored

**Item No.: 210-504**

Steel carrier rail; 35 x 7.5 mm; 1 mm thick; 2 m long; slotted; galvanized; according to EN 60715; silver-colored

**Item No.: 210-113**

Steel carrier rail; 35 x 7.5 mm; 1 mm thick; 2 m long; unslotted; according to EN 60715; silver-colored

**Item No.: 210-505**

Steel carrier rail; 35 x 7.5 mm; 1 mm thick; 2 m long; unslotted; galvanized; according to EN 60715; silver-colored

### 1.1.4 Marking

#### 1.1.4.1 Group marker carrier



**Item No.: 750-107**

Group marker carrier

#### 1.1.4.2 Marker



**Item No.: 2009-145/000-006**

Mini-WSB Inline; for Smart Printer; 1700 pieces on roll; stretchable 5 - 5.2 mm; plain; snap-on type; blue

**Item No.: 2009-145/000-007**

Mini-WSB Inline; for Smart Printer; 1700 pieces on roll; stretchable 5 - 5.2 mm; plain; snap-on type; gray

**Item No.: 2009-145/000-023**

Mini-WSB Inline; for Smart Printer; 1700 pieces on roll; stretchable 5 - 5.2 mm; plain; snap-on type; green

**Item No.: 2009-145/000-012**

Mini-WSB Inline; for Smart Printer; 1700 pieces on roll; stretchable 5 - 5.2 mm; plain; snap-on type; orange



**Item No.: 2009-145/000-005**

Mini-WSB Inline; for Smart Printer; 1700 pieces on roll; stretchable 5 - 5.2 mm; plain; snap-on type; red

**Item No.: 2009-145/000-024**

Mini-WSB Inline; for Smart Printer; 1700 pieces on roll; stretchable 5 - 5.2 mm; plain; snap-on type; violet

**Item No.: 2009-145**

Mini-WSB Inline; for Smart Printer; 1700 pieces on roll; stretchable 5 - 5.2 mm; plain; snap-on type; white

**Item No.: 2009-145/000-002**

Mini-WSB Inline; for Smart Printer; 1700 pieces on roll; stretchable 5 - 5.2 mm; plain; snap-on type; yellow



**Item No.: 248-501/000-006**

Mini-WSB marking card; as card; not stretchable; plain; snap-on type; blue

**Item No.: 248-501/000-007**

Mini-WSB marking card; as card; not stretchable; plain; snap-on type; gray

**Item No.: 248-501/000-023**

Mini-WSB marking card; as card; not stretchable; plain; snap-on type; green

**Item No.: 248-501/000-017**

Mini-WSB marking card; as card; not stretchable; plain; snap-on type; light green

### 1.1.4.2 Marker



**Item No.: 248-501/000-012**

Mini-WSB marking card; as card; not stretchable; plain; snap-on type; orange



**Item No.: 248-501/000-005**

Mini-WSB marking card; as card; not stretchable; plain; snap-on type; red



**Item No.: 248-501/000-024**

Mini-WSB marking card; as card; not stretchable; plain; snap-on type; violet



**Item No.: 248-501**

Mini-WSB marking card; as card; not stretchable; plain; snap-on type; white



**Item No.: 248-501/000-002**

Mini-WSB marking card; as card; not stretchable; plain; snap-on type; yellow

### 1.1.4.3 Marker carrier



**Item No.: 750-103**

Group marker carrier

### 1.1.5 Memory card

#### 1.1.5.1 Memory card



**Item No.: 758-879/000-2108**

Memory Card SD; pSLC-NAND; 8 GB; Temperature range: -40 to 90°C



**Item No.: 758-879/000-001**

Memory Card SD; SLC-NAND; 2 GByte; Temperature from -40 to 90 °C

### 1.1.6 Shield termination

#### 1.1.6.1 Shield clamping saddles



**Item No.: 790-108**

Shield clamping saddle; 11 mm wide; diameter of compatible conductor; 3 ... 8 mm



**Item No.: 790-208**

Shield clamping saddle; 12.4 mm wide; 3 ... 8 mm



**Item No.: 790-116**

Shield clamping saddle; 19 mm wide; diameter of compatible conductor; 7 ... 16 mm



**Item No.: 790-216**

Shield clamping saddle; 21.8 mm wide; 6 ... 16 mm



**Item No.: 790-124**

Shield clamping saddle; 27 mm wide; diameter of compatible conductor; 6 ... 24 mm



**Item No.: 790-220**

Shield clamping saddle; 30 mm wide; 6 ... 20 mm



**Item No.: 790-140**

Shield clamping saddle; diameter of compatible conductor

### 1.1.7 Software

#### 1.1.7.1 Basic version



**Item No.: 759-333**

WAGO-I/O-PRO



**Item No.: 759-333/000-923**

WAGO-I/O-PRO; USB-Set

1.1.7.2 Runtime software



**Item No.: 2759-244/210-1000**  
 Runtime; Room Automation; Macro; Single License

1.1.7.3 Software application



**Item No.: 2759-206/261-1000**  
 Application Energy Data Management; Single License; Online activation



**Item No.: 2759-2110/261-1000**  
 Application flexROOM; Single License; Online activation



**Item No.: 2759-2015/260-1000**  
 Application Grid Gateway; Single License

**Item No.: 2759-2015/261-1000**  
 Application Grid Gateway; Single License; Online activation



**Item No.: 2759-204/261-1000**  
 Application Lighting Management; Single License; Online activation



**Item No.: 2759-241/261-1000**  
 Application Weather Station; Single License; Online activation



**Item No.: 2759-120/1121-1000**  
 e!COCKPIT MTP; Single License; Online activation



**Item No.: 2759-245/211-1000**  
 Library Controller Redundancy Master; Single License; Online activation



**Item No.: 2759-208/211-1000**  
 Library MTP; Single License; Online activation



**Item No.: 2759-203/211-1000**  
 Library Power Plant Control; VDE-AR-N 4110 / 4120; Single License; Online activation



**Item No.: 2759-207/271-1000**  
 Visualization Energy Data Management; Single License; Online activation



**Item No.: 2759-2103/271-1000**  
 Visualization Lighting Management; L; Single License; Online activation



**Item No.: 2759-2102/271-1000**  
 Visualization Lighting Management; M; Single License; Online activation



**Item No.: 2759-2101/271-1000**  
 Visualization Lighting Management; S; Single License; Online activation

1.1.8 System enclosure

1.1.8.1 System enclosure



**Item No.: 850-825**  
 IP65 enclosure; Aluminium (RAL 7032); WxHxD (160x100x160 mm); 9 x M12, 4 x M20



**Item No.: 850-826**  
 IP65 enclosure; Aluminium (RAL 7032); WxHxD (240x100x160 mm); 4 x M20, 4 x M16, 14 x M12 cable grip



**Item No.: 850-827**  
 IP65 enclosure; Aluminium (RAL 7032); WxHxD (320x100x160 mm); 4 x M20, 8 x M16, 17 x M12 cable grip



**Item No.: 850-828**  
 IP65 enclosure; Aluminium (RAL 7032); WxHxD (480x100x160 mm); 4 x M20, 10 x M16, 35 x M12 cable grip



**Item No.: 850-826/002-000**  
 IP65 enclosure; Aluminium (RAL 7035); WxHxD (240x100x160 mm); 4 x M20, 4 x M16, 14 x M12 cable grip



**Item No.: 850-827/002-000**  
 IP65 enclosure; Aluminium (RAL 7035); WxHxD (320x100x160 mm); 4 x M20, 8 x M16, 17 x M12 cable grip



**Item No.: 850-828/002-000**  
 IP65 enclosure; Aluminium (RAL 7035); WxHxD (480x100x160 mm); 4 x M20, 10 x M16, 35 x M12 cable grip



**Item No.: 850-834**  
 IP65 enclosure; Polyester (RAL 7032); WxHxD (164x100x164 mm); 9 x M12, 4 x M20



**Item No.: 850-835**  
 IP65 enclosure; Polyester (RAL 7032); WxHxD (244x100x164 mm); 4 x M20, 4 x M16, 14 x M12 cable grip



**Item No.: 850-836**  
 IP65 enclosure; Polyester (RAL 7032); WxHxD (324x100x164 mm); 4 x M20, 8 x M16, 17 x M12 cable grip



**Item No.: 850-814/002-000**  
 IP65 enclosure; Sheet steel (RAL 7035); WxHxD (200x120x200 mm); without flange plate



**Item No.: 850-815/002-000**  
 IP65 enclosure; Sheet steel (RAL 7035); WxHxD (300x120x200 mm); without flange plate



**Item No.: 850-816/002-000**  
 IP65 enclosure; Sheet steel (RAL 7035); WxHxD (400x120x200 mm); without flange plate



**Item No.: 850-817/002-000**  
 IP65 enclosure; Sheet steel (RAL 7035); WxHxD (600x120x200 mm); without flange plate

Subject to changes. Please also observe the further product documentation!

Current addresses can be found at: [www.wago.com](http://www.wago.com)