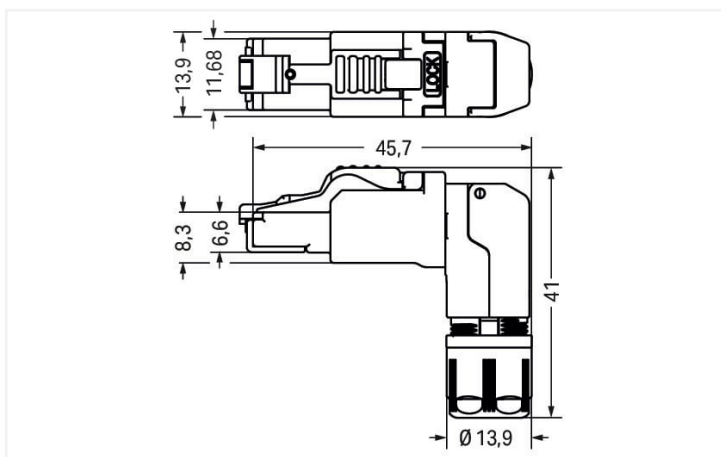
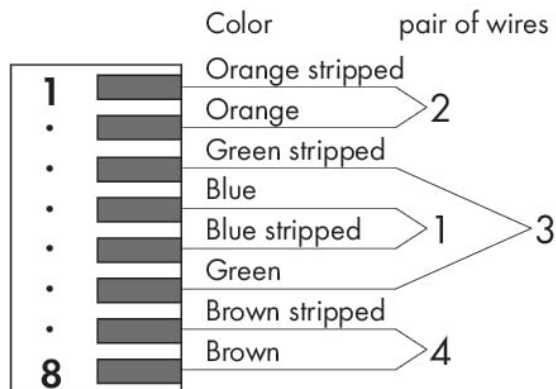




### Pin assignment TIA-568B



Dimensions in mm

#### Technical data

Connection type	RJ-45 plug
Pole number	8
Cable connection direction to mating direction	90°
Cable connection direction (note)	Selectable position
Communication/fieldbus	ETHERNET
Code	TIA-568B
Baud rate	-

#### Connection data

Connection type 1	IDC contact
Solid conductor	0.13 ... 0.21 mm <sup>2</sup> / 26/1 ... 24/1 AWG
Stranded conductor 2	0.11 ... 0.23 mm <sup>2</sup> / 27/7 ... 24/7 AWG

### Physical data

Width	13.9 mm
Height	41 mm
Depth	45.7 mm

### Mechanical data

Connection requirement (permissible cable type)	Cat. 6A
Connectable sheathed cable diameter	5.5 ... 10 mm
Housing material	Zinc die casting
Weight	26 g

### Environmental requirements

Ambient temperature (operation)	-40 ... +85 °C
Ambient temperature (storage)	-40 ... +85 °C
Protection type	IP20
Relative humidity (without condensation)	95 %
Fire load	0 MJ
Standards/specifications	IEC60603-7-51, ISO/IEC 11801, IEEE 802.3an EIA/TIA 568-C.2 DIN EN 50173-1 UL 1863 UL 2043

### Commercial data

eCl@ss 10.0	27-24-26-92
eCl@ss 9.0	27-24-26-92
ETIM 8.0	EC001121
ETIM 7.0	EC001121
PU (SPU)	1 pcs
Packaging type	Bag
Country of origin	TW
GTIN	4055143586320
Customs tariff number	85366990990

### Environmental Product Compliance

RoHS Compliance Status	Compliant, No Exemption
------------------------	-------------------------

### Approvals / Certificates

#### General approvals



Approval	Standard	Certificate Name
UL Underwriters Laboratories Inc.	UL 1977	E345416

Downloads

Environmental Product Compliance

Compliance Search

Environmental Product  
Compliance  
750-979/000-022



Documentation

Manual

System Manual WAGO V 3.3.3 pdf  
I/O System 750/753 29.08.2023 8512.61 KB



Bid Text

750-979/000-022	19.02.2019	xml 3.79 KB	
750-979/000-022	06.10.2017	doc 25.00 KB	