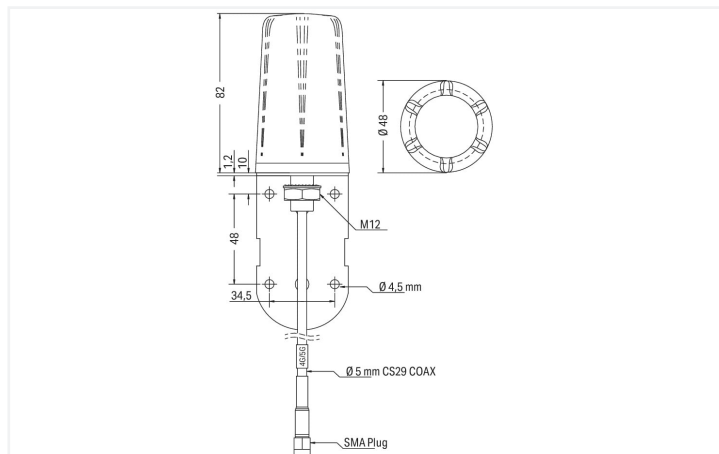


Data Sheet | Item Number: 758-974/000-001

Radio antenna; with 2m cable and SMA plug; GSM/ UMTS/ LTE/ Bluetooth®/ WLAN;
698-960, 1710-6000 MHz; 2G/3G/4G/5G

<https://www.wago.com/758-974/000-001>



- The distance of interfering sources to the antenna and antenna line must be at least 30 cm. The free space between the antenna and the next wall must be at least 35 cm.
- The antenna cable must not, under any circumstances, be bent sharply, or the antenna line may be irreversibly damaged.

Technical data

Radio technology	GSM UMTS LTE Bluetooth® WLAN 5G
Frequency band	617 ... 960 MHz; 1710 ... 6000 MHz
Gain	617 ... 960 MHz: 1dBi; 1710 ... 2700 MHz: 4dBi; 3400 ... 3800 MHz: 8dBi; 4900 ... 6000 MHz: 9dBi

Mechanical data

Mounting type	Wall-mount
Cable type	CS29
Connector	SMA plug
Length of connection cable	2 m

Material data

Fire load	0 MJ
Weight	252 g

Environmental requirements

Ambient temperature (operation)	-40 ... +85 °C
Protection type	IP66

Commercial data

ETIM 8.0	EC001698
ETIM 7.0	EC001698
PU (SPU)	1 pcs
Packaging type	Bag
Country of origin	CN
GTIN	4066966093964
Customs tariff number	85291095900

Environmental Product Compliance

RoHS Compliance Status	Compliant, No Exemption
------------------------	-------------------------

Downloads

Environmental Product Compliance

Compliance Search
Environmental Product Compliance 758-974/000-001 