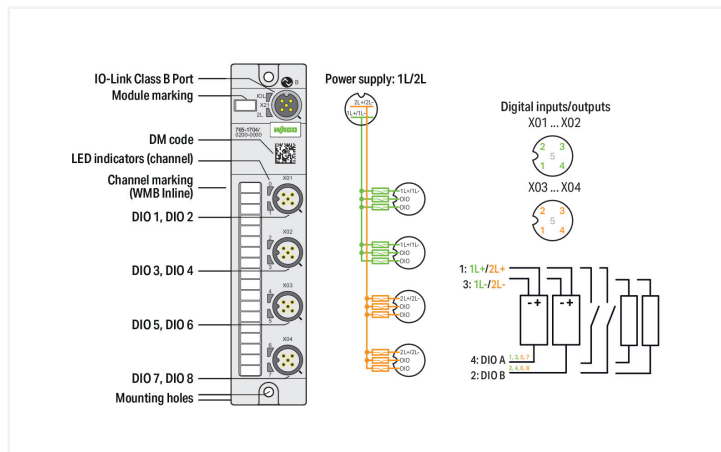


# Data Sheet | Item Number: 765-1704/200-000

8-channel digital input/output; IO Link Class B Hub; DC 24 V / 2.0 A; 4xM12 connection; HubLine

<https://www.wago.com/765-1704/200-000>



### Einsatzbereich:

Dezentrale Vorverarbeitung und Konvertierung/Ausgabe von Digitalsignalen

Das Gerät dient zur Erfassung und zur Ansteuerung von digitalen Feldgeräten, z.B. von Sensoren und Aktoren, die von einem übergeordneten IO-Link Master empfangen bzw. gesendet werden. Das Gerät ist als Class B Hub ausgelegt, und hat 8 digitale Ein-/Ausgänge.

### IO-Link:

Das Gerät verfügt über eine IO-Link-Kommunikationsschnittstelle, die für die Zusammenarbeit einen IO-Link Master voraussetzt.

Die IO-Link-Schnittstelle ermöglicht den direkten Zugriff auf die Prozess- und Diagnosedaten und bietet die Möglichkeit, die Parameter des Gerätes während des Betriebs einzustellen.

Die IO-Link-Diagnostic (IODD) kann auch über den IO-Link-Diagnostic Finder <https://ioddfinder.io-link.com> heruntergeladen werden.

## Technical data

### IO-Link

Communication	IO-Link slave (class B)
Connection technology: communication/fieldbus	1 x A-coded M12; 5-pole

### Device functions

Parameter	Input filter Output current Temperature
Diagnostics	Undervoltage; overcurrent; overload; overtemperature

### Digital inputs/outputs

Number of digital inputs	8
Number of digital outputs	8
Connection technology: inputs/outputs	4 x A-coded M12; 5-pole
Signal type (voltage)	24 VDC
Input characteristic	high-side switching Type 3, per IEC 61131-2
Input filter	0.2 ... 20 ms
Output current (per channel)	2 A

### Power supply

Connection technology: supply	1 x A-coded M12; 5-pole; via IO-Link port (1L/2L)
Supply voltage	24 VDC (18 ... 31.2 V); 1L/2L
Current consumption (max.)	4000 mA
Current consumption (note)	1L: 0.2 A; 2L: 0.1 A; + load current
Reverse voltage protection	Yes

### Physical data

Width	35 mm / 1.378 inches
Height	30 mm / 1.181 inches
Depth	158.5 mm / 6.24 inches

### Mechanical data

Weight	110 g
Conformity marking	CE

### Environmental requirements

Ambient temperature (operation)	-25 ... +70 °C
Ambient temperature (storage)	-40 ... +80 °C
Protection type	IP67
Protection class	III per EN 61140, IEC 61140, VDE 0140-1
Operating altitude	0 ... 2000 m / 0 ... 6562 ft
Pollution degree	3 (EN 60664-1)
Overvoltage category	II (EN 60664-1)
Vibration resistance	5g per IEC 60068-2-6
Shock resistance	Short-term: 50g/11 ms/half-sine per IEC 60068-2-27; Long-term: 30g/6 ms/half-sine per IEC 60068-2-29
EMC immunity to interference	per EN 61000-6-2
EMC emission of interference	per EN 61000-6-4

### Commercial data

ETIM 8.0	EC001599
ETIM 7.0	EC001599
PU (SPU)	1 pcs
Packaging type	Box
Country of origin	DE
GTIN	4055143949866
Customs tariff number	85371098990

### Environmental Product Compliance

CAS-No.	7439-92-1
REACH Candidate List Substance	Lead
RoHS Compliance Status	Compliant,With Exemption
RoHS Exemption	6(c) 7(a) 7(c)-I
SCIP notification number (Austria)	337822f0-f5bc-4cc3-b413-56e9f6b0b55a
SCIP notification number (Belgium)	fa5aa1d6-ed04-4166-b8b3-91157561565a
SCIP notification number (Bulgaria)	49f65230-4492-4354-9a5f-828d32398b3a
SCIP notification number (Czech Republic)	ad336132-2b2d-483b-a7e9-60632066d4f6
SCIP notification number (Denmark)	6d3f3452-5a14-4cff-892c-226fd1fd1df8
SCIP notification number (Finland)	d217a5c7-5e33-458e-8579-3523b36aa831
SCIP notification number (France)	1423c9bc-7b74-4053-af3f-0f066b9026a6
SCIP notification number (Germany)	f2fadd3a-4d8b-40a7-89db-517e4646e238
SCIP notification number (Hungary)	9c79e166-d255-4e69-b7fc-65b2aa886474
SCIP notification number (Italy)	32e1d9c0-16b1-448b-99ad-9b34a7309f3d
SCIP notification number (Netherlands)	3c349233-88bc-468a-adca-f7de9c2809bb
SCIP notification number (Poland)	c5f4ed8a-840d-457c-9670-b32592ea797b
SCIP notification number (Romania)	1e003634-4ee8-4b9d-8bb3-af9cc0577d24
SCIP notification number (Sweden)	000137dc-fcb1-40bc-8d66-85a3396148eb

## Approvals / Certificates

### General approvals



Approval	Standard	Certificate Name
KC National Radio Research Agency	Article 58-2, Clause 3	KC R-R-W43-IOLH765

### Declarations of conformity and manufacturer's declarations

Approval	Standard	Certificate Name
EU-Declaration of Confor- mity WAGO GmbH & Co. KG	-	-

## Downloads

### Environmental Product Compliance


#### Compliance Search

Environmental Product  
Compliance  
765-1704/200-000



## Documentation

### Manual

Product Manual 8- Channel Digital Input/ Output; IO-Link Class B Hub	V 2.0.0 19.07.2022	pdf 3606.60 KB	
---	-----------------------	-------------------	---

### System Description


WAGO I/O System Field; General Product Infor- mation	pdf 1009.23 KB	
--	-------------------	---

### Instruction Leaflet

I/O System Field packa- ge insert	15.12.2021	pdf 1083.98 KB	
--------------------------------------	------------	-------------------	---

## CAD/CAE-Data

### CAD data


2D/3D Models 765-1704/200-000	
----------------------------------	---

### CAE data

EPLAN Data Portal 765-1704/200-000	
ZUKEN Portal 765-1704/200-000	

## Runtime Software

### Firmware

0765-17xx, IO-Field	V 02 02.02.2023	zip 333.92 KB	
---------------------	--------------------	------------------	---

**Libraries**

Device Description File			
IODD	V1.0.0.10	zip	↓
765-1704/200-000	12.04.2021	46.91 KB	

**1 Compatible Products**

**1.1 Required Accessories**

**1.1.1 Cover**

**1.1.1.1 Cover**



[Item No.: 756-8103](#)  
M12 protective cap; for unused plugs

[Item No.: 756-8102](#)  
M12 protective cap; for unused sockets

**1.1.2 Marking**

**1.1.2.1 Marker**



[Item No.: 2009-115](#)  
WMB-Inline; for Smart Printer; 1500 pieces on roll; stretchable 5 - 5.2 mm; plain; snap-on type; white

**1.1.2.2 Marking strip**



[Item No.: 2009-110](#)  
Marking strips; for Smart Printer; on reel; not stretchable; plain; snap-on type; white

**1.1.3 Tool**

**1.1.3.1 Assembly tool**



[Item No.: 206-701](#)  
Torque wrench M8 and M12; Assembly kit

1.2 Optional Accessories

1.2.1 Cables and connectors

1.2.1.1 Configurable connector



**Item No.: 756-9205/050-000**  
Fitted pluggable connector; 5-pole; M12 plug, right angle; Spring



**Item No.: 756-9202/050-000**  
Fitted pluggable connector; 5-pole; M12 plug, straight, A-coded; Spring



**Item No.: 756-9215/050-000**  
Fitted pluggable connector; 5-pole; M12 socket, right angle; Spring



**Item No.: 756-9212/050-000**  
Fitted pluggable connector; 5-pole; M12 socket, straight; Spring

1.2.1.2 Distribution connector



**Item No.: 756-9301/040-000**  
Accessories; 4-pole



**Item No.: 756-9301/050-000**  
Accessories; 5-pole



**Item No.: 756-5514/040-010**  
Sensor/Actuator cable; 2xM8 socket; angled; M12A plug; straight; 4-pole; Length: 1 m



**Item No.: 756-5514/040-020**  
Sensor/Actuator cable; 2xM8 socket; angled; M12A plug; straight; 4-pole; Length: 2 m



**Item No.: 756-5513/040-010**  
Sensor/Actuator cable; 2xM8 socket; straight; M12A plug; straight; 4-pole; Length: 1 m



**Item No.: 756-5513/040-020**  
Sensor/Actuator cable; 2xM8 socket; straight; M12A plug; straight; 4-pole; Length: 2 m

1.2.1.3 Sensor/actuator cable



**Item No.: 756-5312/040-015**  
Sensor/Actuator cable; M12A plug; angled; 4-pole; Length: 1.5 m



**Item No.: 756-5312/040-100**  
Sensor/Actuator cable; M12A plug; angled; 4-pole; Length: 10 m



**Item No.: 756-5312/040-050**  
Sensor/Actuator cable; M12A plug; angled; 4-pole; Length: 5 m



**Item No.: 756-5311/040-015**  
Sensor/Actuator cable; M12A plug; straight; 4-pole; Length: 1.5 m



**Item No.: 756-5311/040-100**  
Sensor/Actuator cable; M12A plug; straight; 4-pole; Length: 10 m



**Item No.: 756-5311/040-050**  
Sensor/Actuator cable; M12A plug; straight; 4-pole; Length: 5 m



**Item No.: 756-5302/050-015**  
Sensor/Actuator cable; M12A socket; angled; 5-pole; Length: 1.5 m



**Item No.: 756-5302/050-100**  
Sensor/Actuator cable; M12A socket; angled; 5-pole; Length: 10 m



**Item No.: 756-5302/050-050**  
Sensor/Actuator cable; M12A socket; angled; 5-pole; Length: 5 m



**Item No.: 756-5404/040-010**  
Sensor/Actuator cable; M12A socket; angled; M12A plug; angled; 4-pole; Length: 1 m



**Item No.: 756-5404/040-020**  
Sensor/Actuator cable; M12A socket; angled; M12A plug; angled; 4-pole; Length: 2 m



**Item No.: 756-5404/050-010**  
Sensor/Actuator cable; M12A socket; angled; M12A plug; angled; 5-pole; Length: 1 m



**Item No.: 756-5404/050-020**  
Sensor/Actuator cable; M12A socket; angled; M12A plug; angled; 5-pole; Length: 2 m



**Item No.: 756-5403/040-010**  
Sensor/Actuator cable; M12A socket; angled; M12A plug; straight; 4-pole; Length: 1 m



**Item No.: 756-5403/040-020**  
Sensor/Actuator cable; M12A socket; angled; M12A plug; straight; 4-pole; Length: 2 m



**Item No.: 756-5403/050-010**  
Sensor/Actuator cable; M12A socket; angled; M12A plug; straight; 5-pole; Length: 1 m



**Item No.: 756-5403/050-020**  
Sensor/Actuator cable; M12A socket; angled; M12A plug; straight; 5-pole; Length: 2 m



**Item No.: 756-5301/050-015**  
Sensor/Actuator cable; M12A socket; straight; 5-pole; Length: 1.5 m



**Item No.: 756-5301/050-100**  
Sensor/Actuator cable; M12A socket; straight; 5-pole; Length: 10 m



**Item No.: 756-5301/050-050**  
Sensor/Actuator cable; M12A socket; straight; 5-pole; Length: 5 m



**Item No.: 756-5402/040-010**  
Sensor/Actuator cable; M12A socket; straight; M12A plug; angled; 4-pole; Length: 1 m



**Item No.: 756-5402/040-020**  
Sensor/Actuator cable; M12A socket; straight; M12A plug; angled; 4-pole; Length: 2 m



**Item No.: 756-5402/050-010**  
Sensor/Actuator cable; M12A socket; straight; M12A plug; angled; 5-pole; Length: 1 m



**Item No.: 756-5402/050-020**  
Sensor/Actuator cable; M12A socket; straight; M12A plug; angled; 5-pole; Length: 2 m



**Item No.: 756-5401/040-010**  
Sensor/Actuator cable; M12A socket; straight; M12A plug; straight; 4-pole; Length: 1 m



**Item No.: 756-5401/040-020**  
Sensor/Actuator cable; M12A socket; straight; M12A plug; straight; 4-pole; Length: 2 m



**Item No.: 756-5401/050-010**  
Sensor/Actuator cable; M12A socket; straight; M12A plug; straight; 5-pole; Length: 1 m



**Item No.: 756-5401/050-020**  
Sensor/Actuator cable; M12A socket; straight; M12A plug; straight; 5-pole; Length: 2 m

1.2.1.3 Sensor/actuator cable



Item No.: 756-5510/040-010

Sensor/Actuator cable; M8 socket; angled; M12A plug; angled; 4-pole; Length: 1 m



Item No.: 756-5510/040-020

Sensor/Actuator cable; M8 socket; angled; M12A plug; angled; 4-pole; Length: 2 m



Item No.: 756-5509/040-010

Sensor/Actuator cable; M8 socket; angled; M12A plug; straight; 4-pole; Length: 1 m



Item No.: 756-5509/040-020

Sensor/Actuator cable; M8 socket; angled; M12A plug; straight; 4-pole; Length: 2 m



Item No.: 756-5508/040-010

Sensor/Actuator cable; M8 socket; straight; M12A plug; angled; 4-pole; Length: 1 m



Item No.: 756-5508/040-020

Sensor/Actuator cable; M8 socket; straight; M12A plug; angled; 4-pole; Length: 2 m



Item No.: 756-5507/040-010

Sensor/Actuator cable; M8 socket; straight; M12A plug; straight; 4-pole; Length: 1 m



Item No.: 756-5507/040-020

Sensor/Actuator cable; M8 socket; straight; M12A plug; straight; 4-pole; Length: 2 m