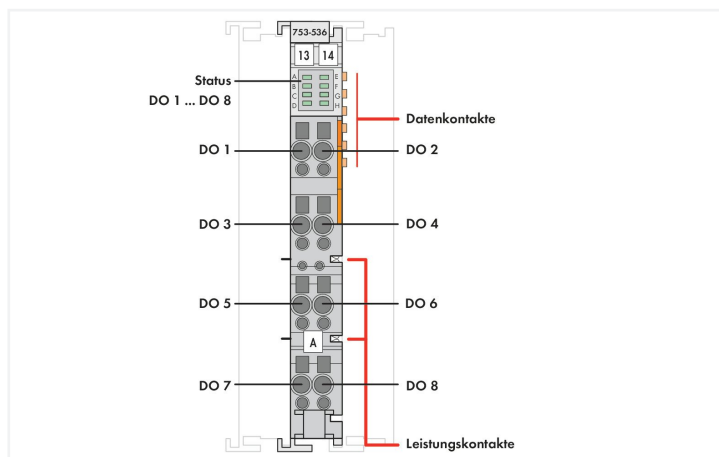
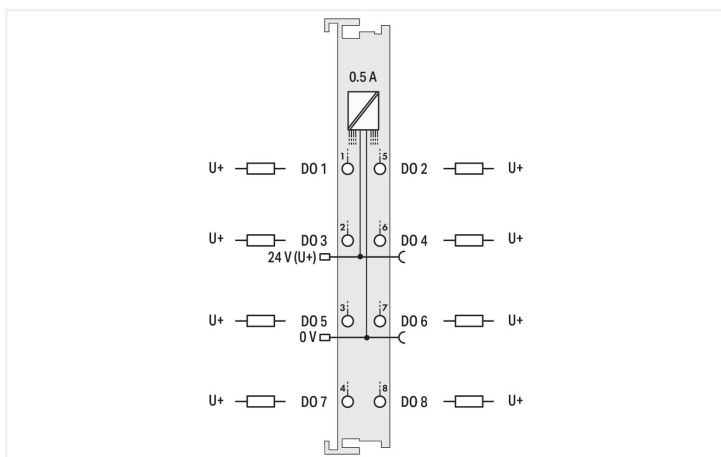
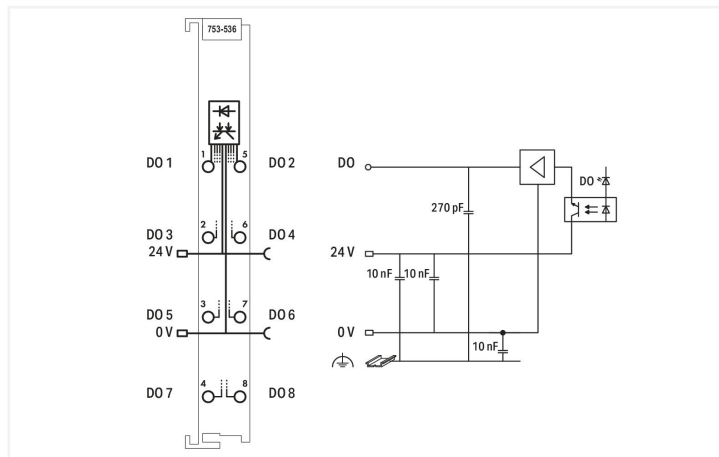
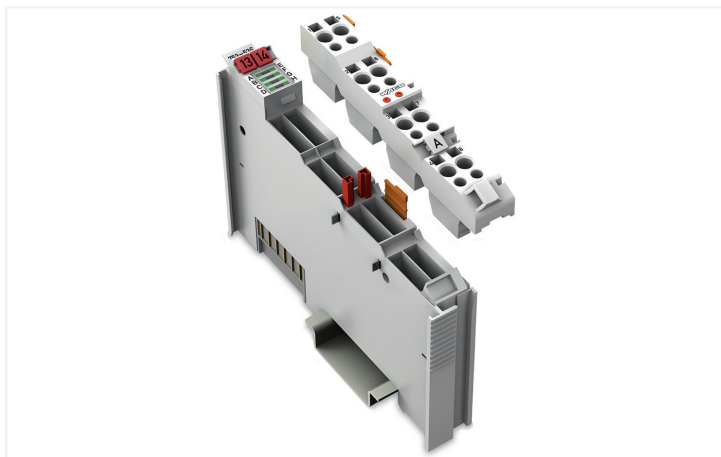


Data Sheet | Item Number: 753-536
8-channel digital output; 24 VDC; 0.5 A; Low-side switching

<https://www.wago.com/753-536>



This digital output module features eight channels in a width of just 12 mm (0.47 inch). The module transmits control signals from an automation device to connected actuators. All outputs are short-circuit-protected. Field and system levels are electrically isolated.

| Notes | |
|-------|--|
| Note | Pluggable connectors and coding fingers (753 Series) are not included. |

| Technical data | |
|---|---------------------------------|
| Number of digital outputs | 8 |
| Total number of channels (module) | 8 |
| Signal type | Digital |
| Signal type (voltage) | 24 VDC |
| Actuator connection | 8 x (1-wire) |
| Output characteristic | low-side switching |
| Output current per channel | 0.5 A |
| Output current | short-circuit-protected |
| Switching frequency (max.) | 2 kHz |
| Load type | Resistive, inductive, lamp load |
| Reverse voltage protection | Yes |
| Inductive load switch-off energy dissipation (max.) | 0.5 J |
| Output data width (internal) max. | 8 bits |
| Supply voltage (system) | 5 VDC; via data contacts |
| Current consumption (5 V system supply) | 25 mA |

Technical data

| | |
|--|---|
| Supply voltage (field) | 24 VDC (-25 ... +30 %); via power jumper contacts (power supply via blade contact; transmission via spring contact) |
| Current consumption, field supply (module with no external load) | 12 mA |
| Isolation | 500 V system/field |
| Indicators | LED (A-H) green: Status DO 1 ... DO 8 |
| Number of incoming power jumper contacts | 2 |
| Number of outgoing power jumper contacts | 2 |
| Current carrying capacity (power jumper contacts) | 10 A |

Connection data

| | |
|---------------------------------------|--|
| Connection technology: inputs/outputs | 8 x CAGE CLAMP® |
| Connection type 1 | Inputs/outputs |
| Solid conductor | 0.08 ... 2.5 mm ² / 28 ... 14 AWG |
| Fine-stranded conductor | 0.08 ... 2.5 mm ² / 28 ... 14 AWG |
| Strip length | 9 ... 10 mm / 0.35 ... 0.39 inches |

Physical data

| | |
|-----------------------------------|------------------------|
| Width | 12 mm / 0.472 inches |
| Height | 100 mm / 3.937 inches |
| Depth | 69 mm / 2.717 inches |
| Depth from upper-edge of DIN-rail | 61.8 mm / 2.433 inches |

Mechanical data

| | |
|---------------------|-------------|
| Mounting type | DIN-35 rail |
| Pluggable connector | pluggable |

Material data

| | |
|--------------------|------------------------------|
| Housing material | Polycarbonate; polyamide 6.6 |
| Fire load | 1.084 MJ |
| Weight | 40.5 g |
| Conformity marking | CE |

Environmental requirements

| | |
|--|---------------------------------------|
| Ambient temperature (operation) | 0 ... +55 °C |
| Ambient temperature (storage) | -40 ... +85 °C |
| Protection type | IP20 |
| Pollution degree | 2 per IEC 61131-2 |
| Operating altitude | 0 ... 2000 m / 0 ... 6562 ft |
| Mounting position | horizontal (standing/lying); vertical |
| Relative humidity (without condensation) | 95 % |
| Vibration resistance | 4g per IEC 60068-2-6 |
| Shock resistance | 15g per IEC 60068-2-27 |
| EMC immunity to interference | per EN 61000-6-2, marine applications |
| EMC emission of interference | per EN 61000-6-3, marine applications |
| Exposure to pollutants | per IEC 60068-2-42 and IEC 60068-2-43 |
| Permissible H ₂ S contaminant concentration at a relative humidity 75 % | 10 ppm |
| Permissible SO ₂ contaminant concentration at a relative humidity 75 % | 25 ppm |

| Commercial data | |
|-----------------------|-----------------|
| Product Group | 15 (I/O System) |
| eCl@ss 10.0 | 27-24-26-04 |
| eCl@ss 9.0 | 27-24-26-04 |
| ETIM 8.0 | EC001599 |
| ETIM 7.0 | EC001599 |
| PU (SPU) | 1 pcs |
| Packaging type | Box |
| Country of origin | DE |
| GTIN | 4045454826413 |
| Customs tariff number | 85371098990 |

| Environmental Product Compliance | |
|---|--|
| CAS-No. | 11120-22-2 1303-86-2 1317-36-8 7439-92-1 75980-60-8 |
| REACH Candidate List Substance | Diboron trioxide Lead Lead monoxide Lead silicate Phosphine oxide, diphenyl(2,4,6-trimethylbenzoyl)- |
| RoHS Compliance Status | Compliant,With Exemption |
| RoHS Exemption | 6(c) 7(a) 7(c)-I 7(c)-II |
| SCIP notification number (Bulgaria) | c951fdfa-8784-4eb3-bf5d-2da11d3b649b |
| SCIP notification number (Czech Republic) | 75cfb719-f052-4e13-8e9e-bdb386e5f5b5 |

Approvals / Certificates

| General approvals | | | Declarations of conformity and manufacturer's declarations | | | | | | | | |
|---|------------------------|---------------------------------|--|--|--|----------|----------|------------------|---|---|---|
| | | | <table border="1"> <thead> <tr> <th>Approval</th> <th>Standard</th> <th>Certificate Name</th> </tr> </thead> <tbody> <tr> <td>EU-Declaration of Confor- mity WAGO GmbH & Co. KG</td> <td>-</td> <td>-</td> </tr> </tbody> </table> | | | Approval | Standard | Certificate Name | EU-Declaration of Confor- mity WAGO GmbH & Co. KG | - | - |
| Approval | Standard | Certificate Name | | | | | | | | | |
| EU-Declaration of Confor- mity WAGO GmbH & Co. KG | - | - | | | | | | | | | |
| Approval | Standard | Certificate Name | | | | | | | | | |
| EAC Brjansker Zertifizierungs- stelle | TP TC 020/2011 | EAC RU C-DE.AM02. B.00087/19 | | | | | | | | | |
| KC National Radio Research Agency | Article 58-2, Clause 3 | MSIP-REM-W43-DOM750 | | | | | | | | | |

| Approvals for marine applications | | | Approvals for marine applications | | | | | | | | | | | | | | | | | | | | |
|---|----------------------|-------------------|--|--|--|---------------------------|---|-------------|------------------|----------------------|------------|--|---|-------------------|----------------------------|---|--------------|-------------------------------|---|-------------------|---------------------------|---|----------------|
| | | | <table border="1"> <tbody> <tr> <td>BV Bureau Veritas S.A.</td> <td>-</td> <td>13453/E0 BV</td> </tr> <tr> <td>DNV DNV GL SE</td> <td>DNV-CG-0339,Aug.2021</td> <td>TAA0000194</td> </tr> <tr> <td>KR Korean Register of Ship- ping</td> <td>-</td> <td>KR HMB05880-AC001</td> </tr> <tr> <td>LR Lloyds Register EMEA</td> <td>-</td> <td>LR22180952TA</td> </tr> <tr> <td>PRS Polski Rejestr Statków</td> <td>-</td> <td>TE/2236/880590/19</td> </tr> <tr> <td>RINA RINA Germany GmbH</td> <td>-</td> <td>ELE343521XG001</td> </tr> </tbody> </table> | | | BV Bureau Veritas S.A. | - | 13453/E0 BV | DNV DNV GL SE | DNV-CG-0339,Aug.2021 | TAA0000194 | KR Korean Register of Ship- ping | - | KR HMB05880-AC001 | LR Lloyds Register EMEA | - | LR22180952TA | PRS Polski Rejestr Statków | - | TE/2236/880590/19 | RINA RINA Germany GmbH | - | ELE343521XG001 |
| BV Bureau Veritas S.A. | - | 13453/E0 BV | | | | | | | | | | | | | | | | | | | | | |
| DNV DNV GL SE | DNV-CG-0339,Aug.2021 | TAA0000194 | | | | | | | | | | | | | | | | | | | | | |
| KR Korean Register of Ship- ping | - | KR HMB05880-AC001 | | | | | | | | | | | | | | | | | | | | | |
| LR Lloyds Register EMEA | - | LR22180952TA | | | | | | | | | | | | | | | | | | | | | |
| PRS Polski Rejestr Statków | - | TE/2236/880590/19 | | | | | | | | | | | | | | | | | | | | | |
| RINA RINA Germany GmbH | - | ELE343521XG001 | | | | | | | | | | | | | | | | | | | | | |
| Approval | Standard | Certificate Name | | | | | | | | | | | | | | | | | | | | | |
| ABS American Bureau of Ship- ping | - | 22-2219060 | | | | | | | | | | | | | | | | | | | | | |
| BSH Bundesamt fuer See- schifffahrt und Hydrogra- phie | - | 1104 | | | | | | | | | | | | | | | | | | | | | |

Approvals for hazardous areas



| Approval | Standard | Certificate Name |
|--|----------------|---|
| ATEX TUEV Nord Cert GmbH | EN 60079-0 | TUEV14ATEX148929X (II 3 G Ex ec IIC T4 Gc) |
| CCCEX CQST/CNEC | CNCA-C23-01 | 2020312310000213 (Ex ec IIC T4 Gc) |
| EAC Brjansker Zertifizierungsstelle | TP TC 012/2011 | EAC RU C-DE.AM02. B.00163/19 (2Ex nA IIC T4 Gc X) |
| IECEX TUEV Nord Cert GmbH | IEC 60079-0 | IECEX TUN 14.0035 X (Ex ec IIC T4 Gc) |
| INMETRO TUV Rheinland do Brasil Ltda. | IEC 60079-0 | BR-Ex_TUV 12.1297 X |
| UKEx WAGO GmbH & Co. KG | EN 60079-0 | UKCA_WA GO22UKEX003X_ec |
| UL Underwriters Laboratories Inc. (HAZARDOUS LOCATIONS) | UL 121201 | E198726 Sec.1 |

Downloads

Environmental Product Compliance

Compliance Search

Environmental Product Compliance 753-536



Documentation

Manual

| | | | |
|---------------------------------------|-----------------------|-------------------|--|
| Product Manual 8-channel, 24VDC, 0.5A | V 1.0.2 | pdf 377.67 KB | |
| System Manual WAGO I/O System 750/753 | V 3.3.3 29.08.2023 | pdf 8512.61 KB | |
| System Manual Series 750/753 | | | |

System Description

| | | |
|---|------------------|--|
| 750/753 Series I/O-System – General Product Information | pdf 953.35 KB | |
| Overview on WAGO-I/O-SYSTEM 750 approvals | pdf 770.48 KB | |

Bid Text

| | | | |
|---------|------------|-----------------|--|
| 753-536 | 19.02.2019 | xml 4.50 KB | |
| 753-536 | 12.07.2017 | doc 28.50 KB | |

Instruction Leaflet

| | | | |
|---------------------------------|------------|------------------|--|
| CCC Ex (Additional information) | 26.04.2023 | pdf 159.76 KB | |
|---------------------------------|------------|------------------|--|

CAD/CAE-Data

| CAD data | CAE data |
|----------------------|---------------------------|
| 2D/3D Models 753-536 | EPLAN Data Portal 753-536 |
| | WSCAD Universe 753-536 |
| | ZUKEN Portal 753-536 |

1 Compatible Products

1.1 Required Accessories

1.1.1 Pluggable connector

1.1.1.1 Male connector/plug



[Item No.: 753-110](#)
Plug

1.2 Optional Accessories

1.2.1 DIN-rail

1.2.1.1 Mounting accessories



[Item No.: 210-196](#)
Aluminum carrier rail; 35 x 8.2 mm; 1.6 mm thick; 2 m long; unslotted; similar to EN 60715; silver-colored



[Item No.: 210-198](#)
Copper carrier rail; 35 x 15 mm; 2.3 mm thick; 2 m long; unslotted; according to EN 60715; copper-colored



[Item No.: 210-508](#)
Steel carrier rail; 35 x 15 mm; 1.5 mm thick; 2 m long; slotted; galvanized; similar to EN 60715; silver-colored



[Item No.: 210-197](#)
Steel carrier rail; 35 x 15 mm; 1.5 mm thick; 2 m long; slotted; similar to EN 60715; silver-colored



[Item No.: 210-506](#)
Steel carrier rail; 35 x 15 mm; 1.5 mm thick; 2 m long; unslotted; galvanized; similar to EN 60715; silver-colored



[Item No.: 210-114](#)
Steel carrier rail; 35 x 15 mm; 1.5 mm thick; 2 m long; unslotted; similar to EN 60715; silver-colored



[Item No.: 210-118](#)
Steel carrier rail; 35 x 15 mm; 2.3 mm thick; 2 m long; unslotted; according to EN 60715; silver-colored



[Item No.: 210-115](#)
Steel carrier rail; 35 x 7.5 mm; 1 mm thick; 2 m long; slotted; according to EN 60715; "Hole width 18 mm; silver-colored



[Item No.: 210-112](#)
Steel carrier rail; 35 x 7.5 mm; 1 mm thick; 2 m long; slotted; according to EN 60715; "Hole width 25 mm; silver-colored



[Item No.: 210-504](#)
Steel carrier rail; 35 x 7.5 mm; 1 mm thick; 2 m long; slotted; galvanized; according to EN 60715; silver-colored



[Item No.: 210-113](#)
Steel carrier rail; 35 x 7.5 mm; 1 mm thick; 2 m long; unslotted; according to EN 60715; silver-colored



[Item No.: 210-505](#)
Steel carrier rail; 35 x 7.5 mm; 1 mm thick; 2 m long; unslotted; galvanized; according to EN 60715; silver-colored

1.2.2 Marking

1.2.2.1 Group marker carrier



[Item No.: 750-107](#)
Group marker carrier

1.2.2.2 Marker

Item No.: 2009-145/000-006

Mini-WSB Inline; for Smart Printer; 1700 pieces on roll; stretchable 5 - 5.2 mm; plain; snap-on type; blue

Item No.: 2009-145/000-007

Mini-WSB Inline; for Smart Printer; 1700 pieces on roll; stretchable 5 - 5.2 mm; plain; snap-on type; gray

Item No.: 2009-145/000-023

Mini-WSB Inline; for Smart Printer; 1700 pieces on roll; stretchable 5 - 5.2 mm; plain; snap-on type; green

Item No.: 2009-145/000-012

Mini-WSB Inline; for Smart Printer; 1700 pieces on roll; stretchable 5 - 5.2 mm; plain; snap-on type; orange

Item No.: 2009-145/000-005

Mini-WSB Inline; for Smart Printer; 1700 pieces on roll; stretchable 5 - 5.2 mm; plain; snap-on type; red

Item No.: 2009-145/000-024

Mini-WSB Inline; for Smart Printer; 1700 pieces on roll; stretchable 5 - 5.2 mm; plain; snap-on type; violet

Item No.: 2009-145

Mini-WSB Inline; for Smart Printer; 1700 pieces on roll; stretchable 5 - 5.2 mm; plain; snap-on type; white

Item No.: 2009-145/000-002

Mini-WSB Inline; for Smart Printer; 1700 pieces on roll; stretchable 5 - 5.2 mm; plain; snap-on type; yellow



Item No.: 248-501/000-006

Mini-WSB marking card; as card; not stretchable; plain; snap-on type; blue

Item No.: 248-501/000-007

Mini-WSB marking card; as card; not stretchable; plain; snap-on type; gray

Item No.: 248-501/000-023

Mini-WSB marking card; as card; not stretchable; plain; snap-on type; green

Item No.: 248-501/000-017

Mini-WSB marking card; as card; not stretchable; plain; snap-on type; light green



Item No.: 248-501/000-012

Mini-WSB marking card; as card; not stretchable; plain; snap-on type; orange

Item No.: 248-501/000-005

Mini-WSB marking card; as card; not stretchable; plain; snap-on type; red

Item No.: 248-501/000-024

Mini-WSB marking card; as card; not stretchable; plain; snap-on type; violet

Item No.: 248-501

Mini-WSB marking card; as card; not stretchable; plain; snap-on type; white



Item No.: 248-501/000-002

Mini-WSB marking card; as card; not stretchable; plain; snap-on type; yellow

1.2.2.3 Marker carrier



Item No.: 750-103

Group marker carrier

1.2.3 Pluggable connector

1.2.3.1 Coding



Item No.: 753-150

753 Series coding elements

1.2.4 Shield termination

1.2.4.1 Shield clamping saddles



Item No.: 790-108

Shield clamping saddle; 11 mm wide; diameter of compatible conductor; 3 ... 8 mm



Item No.: 790-208

Shield clamping saddle; 12.4 mm wide; 3 ... 8 mm



Item No.: 790-116

Shield clamping saddle; 19 mm wide; diameter of compatible conductor; 7 ... 16 mm



Item No.: 790-216

Shield clamping saddle; 21.8 mm wide; 6 ... 16 mm



Item No.: 790-124

Shield clamping saddle; 27 mm wide; diameter of compatible conductor; 6 ... 24 mm



Item No.: 790-220

Shield clamping saddle; 30 mm wide; 6 ... 20 mm



Item No.: 790-140

Shield clamping saddle; diameter of compatible conductor

1.2.5 Supply module

1.2.5.1 Supply module



Item No.: 750-612

Power Supply; 0 ... 230 V AC/DC



Item No.: 753-612

Power Supply; 0 ... 230 V AC/DC



Item No.: 750-602

Power Supply; 24 VDC



Item No.: 753-602

Power Supply; 24 VDC



Item No.: 750-601

Power Supply; 24 VDC; fuse holder



Item No.: 750-610

Power Supply; 24 VDC; fuse holder; Diagnostics

1.2.6 System enclosure

1.2.6.1 System enclosure



Item No.: 850-825

IP65 enclosure; Aluminium (RAL 7032); WxHxD (160x100x160 mm); 9 x M12, 4 x M20



Item No.: 850-826

IP65 enclosure; Aluminium (RAL 7032); WxHxD (240x100x160 mm); 4 x M20, 4 x M16, 14 x M12 cable grip



Item No.: 850-827

IP65 enclosure; Aluminium (RAL 7032); WxHxD (320x100x160 mm); 4 x M20, 8 x M16, 17 x M12 cable grip



Item No.: 850-828

IP65 enclosure; Aluminium (RAL 7032); WxHxD (480x100x160 mm); 4 x M20, 10 x M16, 35 x M12 cable grip



Item No.: 850-826/002-000

IP65 enclosure; Aluminium (RAL 7035); WxHxD (240x100x160 mm); 4 x M20, 4 x M16, 14 x M12 cable grip



Item No.: 850-827/002-000

IP65 enclosure; Aluminium (RAL 7035); WxHxD (320x100x160 mm); 4 x M20, 8 x M16, 17 x M12 cable grip



Item No.: 850-828/002-000

IP65 enclosure; Aluminium (RAL 7035); WxHxD (480x100x160 mm); 4 x M20, 10 x M16, 35 x M12 cable grip



Item No.: 850-834

IP65 enclosure; Polyester (RAL 7032); WxHxD (164x100x164 mm); 9 x M12, 4 x M20



Item No.: 850-835

IP65 enclosure; Polyester (RAL 7032); WxHxD (244x100x164 mm); 4 x M20, 4 x M16, 14 x M12 cable grip



Item No.: 850-836

IP65 enclosure; Polyester (RAL 7032); WxHxD (324x100x164 mm); 4 x M20, 8 x M16, 17 x M12 cable grip



Item No.: 850-814/002-000

IP65 enclosure; Sheet steel (RAL 7035); WxHxD (200x120x200 mm); without flange plate



Item No.: 850-815/002-000

IP65 enclosure; Sheet steel (RAL 7035); WxHxD (300x120x200 mm); without flange plate



Item No.: 850-816/002-000

IP65 enclosure; Sheet steel (RAL 7035); WxHxD (400x120x200 mm); without flange plate



Item No.: 850-817/002-000

IP65 enclosure; Sheet steel (RAL 7035); WxHxD (600x120x200 mm); without flange plate