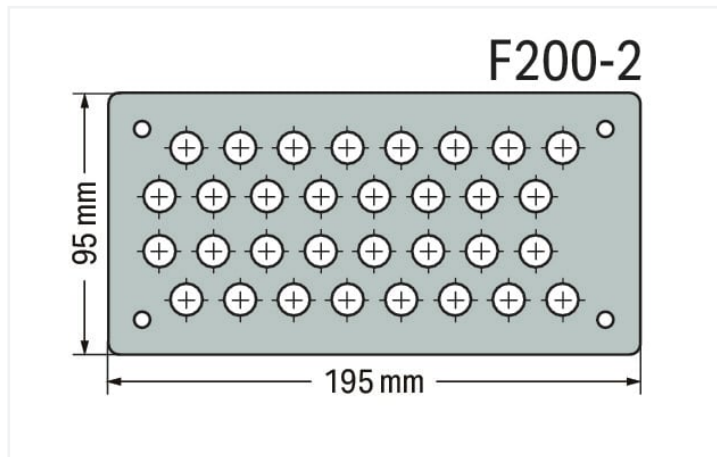




Similar to illustration



Dimensions in mm

Physical data

Width	195 mm / 7.677 inches
Height	95 mm / 3.74 inches

Material data

Fire load	0 MJ
Weight	190 g

Environmental requirements

Protection type	IP65
-----------------	------

Commercial data

eCl@ss 10.0	27-18-28-06
eCl@ss 9.0	27-18-92-17
ETIM 8.0	EC000456
ETIM 7.0	EC000456
PU (SPU)	1 pcs
Packaging type	Bag
Country of origin	DE
GTIN	4055143243117
Customs tariff number	85389099990

Environmental Product Compliance

RoHS Compliance Status	Compliant, No Exemption
------------------------	-------------------------

Downloads

Environmental Product Compliance

Compliance Search

Environmental Product
Compliance
850-818/002-003



Documentation

System Description

IP65 System Housing

pdf
163.66 KB



Bid Text

850-818/002-003

19.02.2019

xml
2.59 KB



850-818/002-003

09.10.2017

doc
28.00 KB

