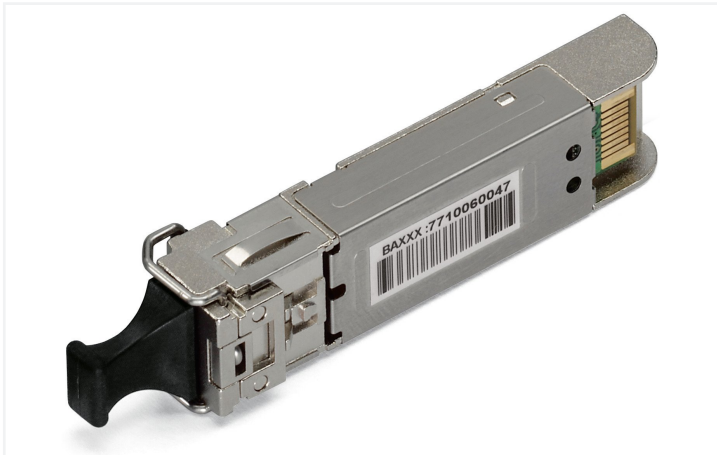


# Data Sheet | Item Number: 852-202

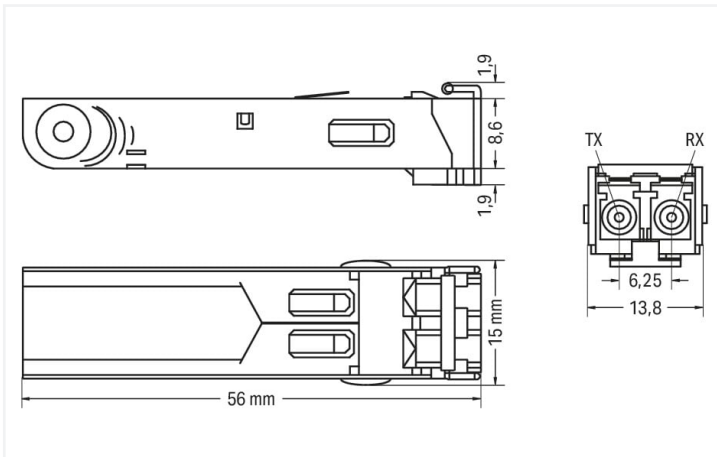
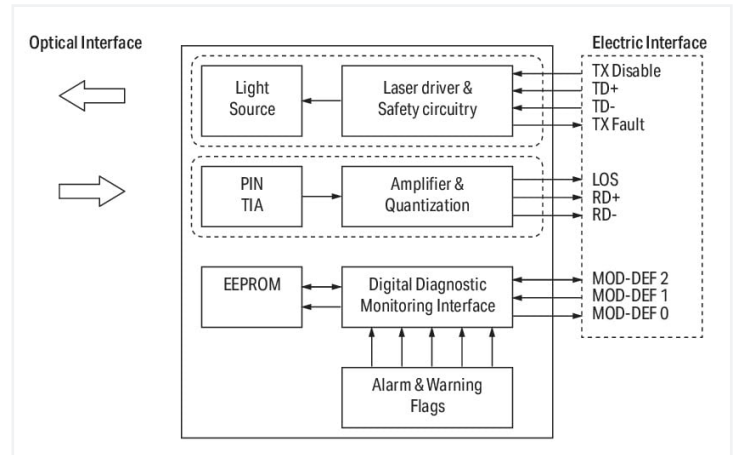
SFP Module 100BASE; FX Multi-Mode 1310 nm LC; 2 km; DDM; Extreme; silver-colored

<https://www.wago.com/852-202>



Color: ■ silver-colored

Similar to illustration



## Features:

- Low power
- Coated PCB
- Extended ambient temperature: -40 ...100 °C
- High impulse withstand voltage: DC 1.2 KV
- Duplex LC optical connector
- Small Form-Factor Pluggable (SFP) industry-standard design
- 125Mbps 100BASE-FX, IEEE 802.3 Clause 26
- Compliant with the Fast ETHERNET standard
- Digital Diagnostic Monitoring interface per SFF-8472
- Supply voltage: 3.3 V
- TTL signal detect indicator
- Hot-pluggable capability

## Technical data

Optical fiber type	Multi-mode
--------------------	------------

### Connection data

Connection technology: communication/fieldbus	1 x SFP; LC fiber-optic connector
Connection requirement (permissible cable length)	2000 m
Connection requirement (permissible cable type)	Multi-mode fiber 62.5/125 µm, 50/125 µm; Wavelength: 1310 nm

### Physical data

Width	13.8 mm / 0.543 inches
Height	8.6 mm / 0.339 inches
Depth	56 mm / 2.205 inches

### Mechanical data

Weight	17 g
Color	silver-colored

### Environmental requirements

Ambient temperature (operation)	-40 ... +100 °C
Ambient temperature (storage)	-40 ... +100 °C
Fire load	0 MJ

### Commercial data

ETIM 8.0	EC000309
ETIM 7.0	EC000309
PU (SPU)	1 pcs
Packaging type	Box
Country of origin	TW
GTIN	4055143394192
Customs tariff number	85176200000

### Environmental Product Compliance

RoHS Compliance Status	Compliant, No Exemption
------------------------	-------------------------

### Approvals / Certificates

#### General approvals



Approval	Standard	Certificate Name
EAC Brjansker Zertifizierungs- stelle	TP TC 020/2011	EAC RU C-DE.AM02. B.00087/19

Downloads

Environmental Product Compliance

Compliance Search

Environmental Product  
Compliance 852-202

