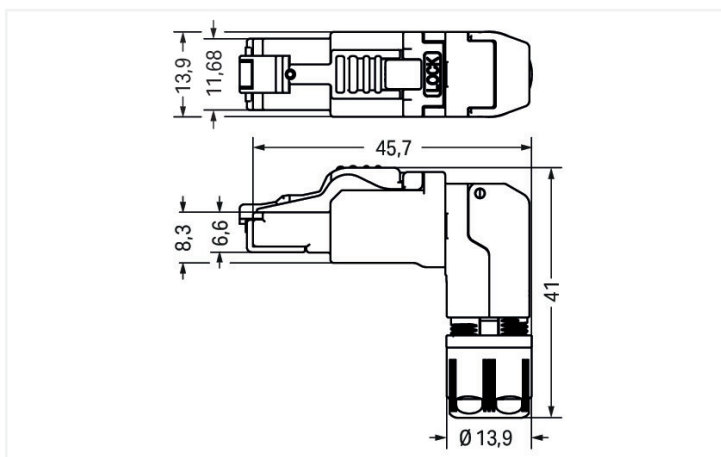
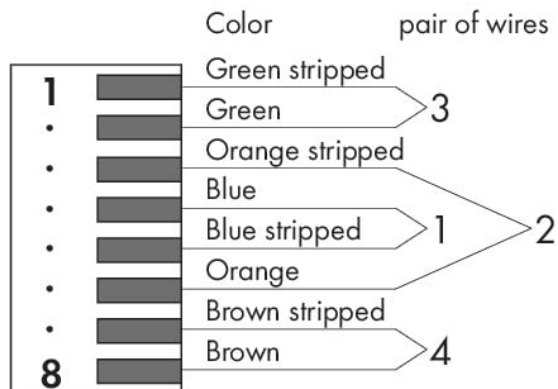




### Pin assignment TIA-568A



Dimensions in mm

#### Technical data

|  |                     |
|--|---------------------|
| Connection type                                | RJ-45 plug          |
| Pole number                                    | 8                   |
| Cable connection direction to mating direction | 90°                 |
| Cable connection direction (note)              | Selectable position |
| Communication/fieldbus                         | ETHERNET            |
| Code   | TIA-568A            |
| Baud rate                                      | -                   |

#### Connection data

|                      |   |
|----------------------|---|
| Connection type 1    | IDC contact                                       |
| Solid conductor      | 0.21 ... 0.32 mm <sup>2</sup> / 24/1 ... 22/1 AWG |
| Stranded conductor 2 | 0.11 ... 0.36 mm <sup>2</sup> / 27/7 ... 22/7 AWG |

### Physical data

|        |         |
|--------|---------|
| Width  | 13.9 mm |
| Height | 41 mm   |
| Depth  | 45.7 mm |

### Mechanical data

|   |                  |
|---|------------------|
| Connection requirement (permissible cable type) | Cat. 6A          |
| Connectable sheathed cable diameter             | 5.5 ... 10 mm    |
| Housing material                                | Zinc die casting |
| Weight  | 26 g             |

### Environmental requirements

|  |   |
|--|---|
| Ambient temperature (operation)          | -40 ... +85 °C  |
| Ambient temperature (storage)            | -40 ... +85 °C  |
| Protection type                          | IP20  |
| Relative humidity (without condensation) | 95 %  |
| Fire load                                | 0 MJ  |
| Standards/specifications                 | IEC60603-7-51, ISO/IEC 11801, IEEE 802.3an<br>EIA/TIA 568-C.2<br>DIN EN 50173-1<br>UL 1863<br>UL 2043 |

### Commercial data

|                       |               |
|-----------------------|---------------|
| eCl@ss 10.0           | 27-24-26-92   |
| eCl@ss 9.0            | 27-24-26-92   |
| ETIM 8.0              | EC001121      |
| ETIM 7.0              | EC001121      |
| PU (SPU)              | 1 pcs         |
| Packaging type        | Bag           |
| Country of origin     | TW            |
| GTIN                  | 4055143586283 |
| Customs tariff number | 85366990990   |

### Environmental Product Compliance

|                        |                         |
|------------------------|-------------------------|
| RoHS Compliance Status | Compliant, No Exemption |
|------------------------|-------------------------|

### Approvals / Certificates

#### General approvals



| Approval                                | Standard | Certificate Name |
|---|----------|------------------|
| UL<br>Underwriters Laboratories<br>Inc. | UL 1977  | E345416          |



Downloads

Environmental Product Compliance

Compliance Search

Environmental Product  
Compliance  
750-979/000-011



Documentation

Manual

System Manual WAGO I/O System 750/753 V 3.3.3 29.08.2023 pdf 8512.61 KB



Bid Text

750-979/000-011 06.10.2017 doc 24.50 KB



750-979/000-011 19.02.2019 xml 3.79 KB

