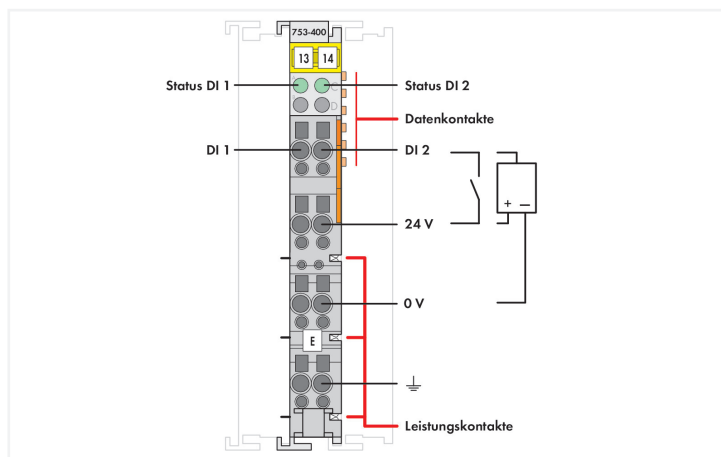
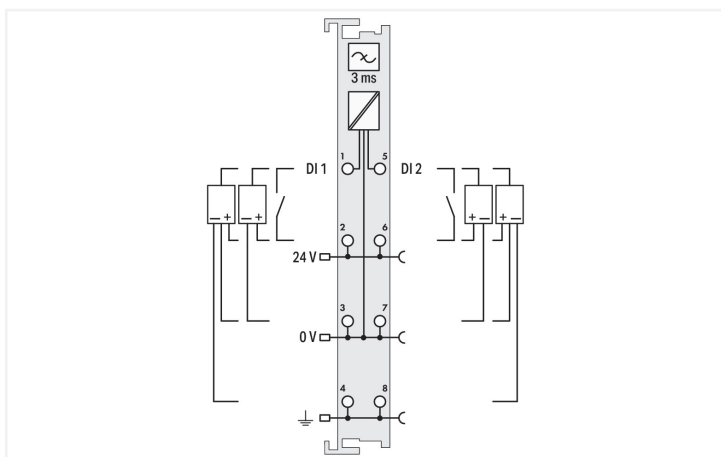
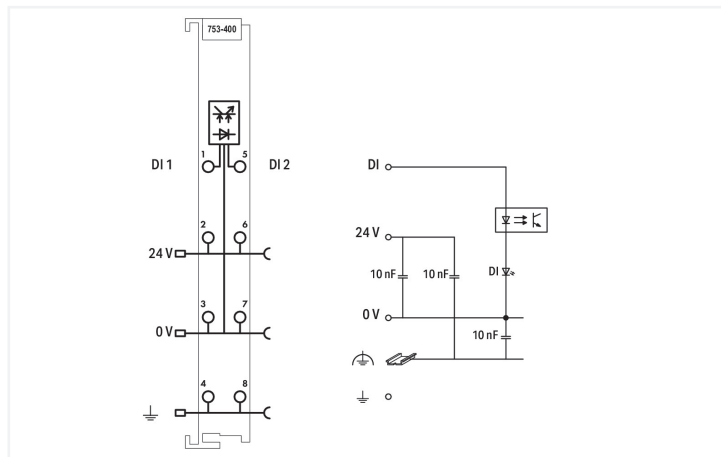


Color: ■ light gray



This digital input module receives control signals from field devices (e.g., sensors). Each input module has a noise-rejection filter. Field and system levels are electrically isolated.

Notes

Note Pluggable connectors and coding fingers (753 Series) are not included.

Technical data

| | |
|---|---|
| Number of digital inputs | 2 |
| Total number of channels (module) | 2 |
| Signal type | Digital |
| Signal type (voltage) | 24 VDC |
| Sensor connection | 2 x (2-wire, 3-wire, 4-wire) |
| Input characteristic | high-side switching |
| Input filter (digital) | 3 ms |
| Input current per channel for signal (1) typ. | 4.5 mA |
| Voltage range for signal (0) | -3 ... +5 VDC |
| Voltage range for signal (1) | 15 ... 30 VDC |
| Input data width (internal) max. | 2 bits |
| Supply voltage (system) | 5 VDC; via data contacts |
| Current consumption (5 V system supply) | 3.7 mA |
| Supply voltage (field) | 24 VDC (-25 ... +30 %); via power jumper contacts (power supply via blade contact; transmission via spring contact) |
| Isolation | 500 V system/field |

Technical data

| | |
|---|-------------------------------------|
| Indicators | LED (A, C) green: Status DI 1, DI 2 |
| Number of incoming power jumper contacts | 3 |
| Number of outgoing power jumper contacts | 3 |
| Current carrying capacity (power jumper contacts) | 10 A |

Connection data

| | |
|---------------------------------------|--|
| Connection technology: inputs/outputs | 8 x CAGE CLAMP® |
| Connection type 1 | Inputs/outputs |
| Solid conductor | 0.08 ... 2.5 mm ² / 28 ... 14 AWG |
| Fine-stranded conductor | 0.08 ... 2.5 mm ² / 28 ... 14 AWG |
| Strip length | 9 ... 10 mm / 0.35 ... 0.39 inches |

Physical data

| | |
|-----------------------------------|------------------------|
| Width | 12 mm / 0.472 inches |
| Height | 100 mm / 3.937 inches |
| Depth | 69.8 mm / 2.748 inches |
| Depth from upper-edge of DIN-rail | 62.6 mm / 2.465 inches |

Mechanical data

| | |
|---------------------|-------------|
| Mounting type | DIN-35 rail |
| Pluggable connector | pluggable |

Material data

| | |
|--------------------|------------------------------|
| Color | light gray |
| Housing material | Polycarbonate; polyamide 6.6 |
| Fire load | 1.071 MJ |
| Weight | 37 g |
| Conformity marking | CE |

Environmental requirements

| | |
|--|---------------------------------------|
| Ambient temperature (operation) | 0 ... +55 °C |
| Ambient temperature (storage) | -40 ... +85 °C |
| Protection type | IP20 |
| Pollution degree | 2 per IEC 61131-2 |
| Operating altitude | 0 ... 2000 m / 0 ... 6562 ft |
| Mounting position | horizontal (standing/lying); vertical |
| Relative humidity (without condensation) | 95 % |
| Vibration resistance | 4g per IEC 60068-2-6 |
| Shock resistance | 15g per IEC 60068-2-27 |
| EMC immunity to interference | per EN 61000-6-2, marine applications |
| EMC emission of interference | per EN 61000-6-4, marine applications |
| Exposure to pollutants | per IEC 60068-2-42 and IEC 60068-2-43 |
| Permissible H ₂ S contaminant concentration at a relative humidity 75 % | 10 ppm |
| Permissible SO ₂ contaminant concentration at a relative humidity 75 % | 25 ppm |

| Commercial data | |
|-----------------------|-----------------|
| Product Group | 15 (I/O System) |
| eCl@ss 10.0 | 27-24-26-04 |
| eCl@ss 9.0 | 27-24-26-04 |
| ETIM 8.0 | EC001599 |
| ETIM 7.0 | EC001599 |
| PU (SPU) | 1 pcs |
| Packaging type | Box |
| Country of origin | DE |
| GTIN | 4045454424312 |
| Customs tariff number | 85389099990 |

| Environmental Product Compliance | |
|---|---|
| CAS-No. | 1303-86-2 1317-36-8 7439-92-1 |
| REACH Candidate List Substance | Diboron trioxide Lead Lead monoxide |
| RoHS Compliance Status | Compliant,With Exemption |
| RoHS Exemption | 6(c) 7(a) 7(c)-I 7(c)-II |
| SCIP notification number (Austria) | 3a452de4-ff48-4a13-9cfc-9c5e0c10737e |
| SCIP notification number (Belgium) | 4e047b96-4228-46c1-a2ba-8ce22a5575da |
| SCIP notification number (Bulgaria) | 1fdfe5b4-466d-43ec-b7c8-1ae8e4c79230 |
| SCIP notification number (Czech Republic) | fe5da6cb-f219-4dcd-baa5-3e3385e7344b |
| SCIP notification number (Denmark) | 6f03b2ec-a1f2-4364-950f-9c3e913e5105 |
| SCIP notification number (Finland) | 1fbc6837-20cf-43a9-a351-5d23b95031b9 |
| SCIP notification number (France) | e687c212-5c0d-4ab6-97a4-fcabb20a32f2 |
| SCIP notification number (Germany) | 2546325f-c9a3-4262-984c-a60a9baaea17 |
| SCIP notification number (Hungary) | c9f402b3-f9df-4163-803f-28277175a6f4 |
| SCIP notification number (Italy) | d2525f43-757b-41ba-9218-d81d62bd4d5a |
| SCIP notification number (Netherlands) | 8e0400d7-554b-4751-867f-0e3712ba36b6 |
| SCIP notification number (Poland) | bdf81789-e93a-4f5e-8f9d-7f4a49dbbf5d |
| SCIP notification number (Romania) | 5fe9dbfb-fdf5-44bd-8f7e-24f31fd9eb99 |
| SCIP notification number (Sweden) | 7f2855e4-45e3-457c-a016-1147e58a19b7 |

Approvals / Certificates

General approvals

Declarations of conformity and manufacturer's declarations



| Approval | Standard | Certificate Name |
|---|------------------------|---------------------------------|
| EAC Brjansker Zertifizierungsstelle | TP TC 020/2011 | EAC RU C-DE.AM02. B.00087/19 |
| KC National Radio Research Agency | Article 58-2, Clause 3 | MSIP-REM-W43-DIM750 |
| UL Underwriters Laboratories Inc. (ORDINARY LOCATIONS) | UL 508 | E175199 Sec.1 |

| Approval | Standard | Certificate Name |
|--|----------|------------------|
| EU-Declaration of Conformity WAGO GmbH & Co. KG | - | - |
| UK-Declaration of Conformity WAGO GmbH & Co. KG | - | - |

Approvals for marine applications



| Approval | Standard | Certificate Name |
|---|------------------------|-------------------|
| ABS American Bureau of Shipping | - | 22-2219060 |
| BSH Bundesamt fuer Seeschifffahrt und Hydrographie | - | 1104 |
| BV Bureau Veritas S.A. | - | 13453/E0 BV |
| DNV DNV GL SE | DNV-CG-0339, Aug. 2021 | TAA0000194 |
| KR Korean Register of Shipping | - | KR HMB05880-AC001 |
| LR Lloyds Register EMEA | - | LR22180952TA |
| PRS Polski Rejestr Statków | - | TE/2236/880590/19 |
| RINA RINA Germany GmbH | - | ELE343521XG001 |

Approvals for hazardous areas



| Approval | Standard | Certificate Name |
|--|----------------|---|
| ATEX TUEV Nord Cert GmbH | EN 60079-0 | TUEV14ATEX148929X (II 3 G Ex ec IIC T4 Gc) |
| CCCEX CQST/CNEx | CNCA-C23-01 | 2020312310000213 (Ex ec IIC T4 Gc) |
| EAC Brjansker Zertifizierungsstelle | TP TC 012/2011 | EAC RU C-DE.AM02. B.00163/19 (2Ex nA IIC T4 Gc X) |
| IECEX TUEV Nord Cert GmbH | IEC 60079-0 | IECEX TUN 14.0035 X (Ex ec IIC T4 Gc) |
| INMETRO TUV Rheinland do Brasil Ltda. | IEC 60079-0 | BR-Ex_TUV 12.1297 X |
| UKEx WAGO GmbH & Co. KG | EN 60079-0 | UKCA_WA GO22UKEX003X_ec |
| UL Underwriters Laboratories Inc. (HAZARDOUS LOCATIONS) | UL 121201 | E198726 Sec.1 |

Downloads

Environmental Product Compliance

Compliance Search

Environmental Product Compliance 753-400



Documentation

Manual

| | | | |
|--|-----------------------|-------------------|--|
| Product Manual 2-channel, 24VDC, 3.0ms | V 1.3.0 | pdf 2322.39 KB | |
| System Manual WAGO I/O System 750/753 | V 3.3.3 29.08.2023 | pdf 8512.61 KB | |
| System Manual Series 750/753 | | | |

System Description

| | | |
|---|------------------|--|
| 750/753 Series I/O-System – General Product Information | pdf 953.35 KB | |
| Overview on WAGO-I/O-SYSTEM 750 approvals | pdf 770.48 KB | |

Bid Text

| | | | |
|---------|------------|-----------------|--|
| 753-400 | 19.02.2019 | xml 4.39 KB | |
| 753-400 | 13.07.2017 | doc 25.50 KB | |

Instruction Leaflet

| | | | |
|---------------------------------|------------|------------------|--|
| CCC Ex (Additional information) | 26.04.2023 | pdf 159.76 KB | |
|---------------------------------|------------|------------------|--|

CAD/CAE-Data

| CAD data | CAE data |
|----------------------|---------------------------|
| 2D/3D Models 753-400 | EPLAN Data Portal 753-400 |
| | WSCAD Universe 753-400 |
| | ZUKEN Portal 753-400 |

1 Compatible Products

1.1 Required Accessories

1.1.1 Pluggable connector

1.1.1.1 Male connector/plug



[Item No.: 753-110](#)
Plug

1.2 Optional Accessories

1.2.1 DIN-rail

1.2.1.1 Mounting accessories



[Item No.: 210-196](#)
Aluminum carrier rail; 35 x 8.2 mm; 1.6 mm thick; 2 m long; unslotted; similar to EN 60715; silver-colored



[Item No.: 210-198](#)
Copper carrier rail; 35 x 15 mm; 2.3 mm thick; 2 m long; unslotted; according to EN 60715; copper-colored



[Item No.: 210-508](#)
Steel carrier rail; 35 x 15 mm; 1.5 mm thick; 2 m long; slotted; galvanized; similar to EN 60715; silver-colored



[Item No.: 210-197](#)
Steel carrier rail; 35 x 15 mm; 1.5 mm thick; 2 m long; slotted; similar to EN 60715; silver-colored



[Item No.: 210-506](#)
Steel carrier rail; 35 x 15 mm; 1.5 mm thick; 2 m long; unslotted; galvanized; similar to EN 60715; silver-colored



[Item No.: 210-114](#)
Steel carrier rail; 35 x 15 mm; 1.5 mm thick; 2 m long; unslotted; similar to EN 60715; silver-colored



[Item No.: 210-118](#)
Steel carrier rail; 35 x 15 mm; 2.3 mm thick; 2 m long; unslotted; according to EN 60715; silver-colored



[Item No.: 210-115](#)
Steel carrier rail; 35 x 7.5 mm; 1 mm thick; 2 m long; slotted; according to EN 60715; "Hole width 18 mm; silver-colored



[Item No.: 210-112](#)
Steel carrier rail; 35 x 7.5 mm; 1 mm thick; 2 m long; slotted; according to EN 60715; "Hole width 25 mm; silver-colored



[Item No.: 210-504](#)
Steel carrier rail; 35 x 7.5 mm; 1 mm thick; 2 m long; slotted; galvanized; according to EN 60715; silver-colored



[Item No.: 210-113](#)
Steel carrier rail; 35 x 7.5 mm; 1 mm thick; 2 m long; unslotted; according to EN 60715; silver-colored



[Item No.: 210-505](#)
Steel carrier rail; 35 x 7.5 mm; 1 mm thick; 2 m long; unslotted; galvanized; according to EN 60715; silver-colored

1.2.2 Marking

1.2.2.1 Group marker carrier



[Item No.: 750-106](#)
Group marker carrier

1.2.2.2 Marker



Item No.: 750-100
Marker card; as a DIN A4 sheet; plain

Item No.: 2009-145/000-006
Mini-WSB Inline; for Smart Printer; 1700 pieces on roll; stretchable 5 - 5.2 mm; plain; snap-on type; blue

Item No.: 2009-145/000-007
Mini-WSB Inline; for Smart Printer; 1700 pieces on roll; stretchable 5 - 5.2 mm; plain; snap-on type; gray

Item No.: 2009-145/000-023
Mini-WSB Inline; for Smart Printer; 1700 pieces on roll; stretchable 5 - 5.2 mm; plain; snap-on type; green

Item No.: 2009-145/000-012
Mini-WSB Inline; for Smart Printer; 1700 pieces on roll; stretchable 5 - 5.2 mm; plain; snap-on type; orange

Item No.: 2009-145/000-005
Mini-WSB Inline; for Smart Printer; 1700 pieces on roll; stretchable 5 - 5.2 mm; plain; snap-on type; red

Item No.: 2009-145/000-024
Mini-WSB Inline; for Smart Printer; 1700 pieces on roll; stretchable 5 - 5.2 mm; plain; snap-on type; violet

Item No.: 2009-145
Mini-WSB Inline; for Smart Printer; 1700 pieces on roll; stretchable 5 - 5.2 mm; plain; snap-on type; white

Item No.: 2009-145/000-002
Mini-WSB Inline; for Smart Printer; 1700 pieces on roll; stretchable 5 - 5.2 mm; plain; snap-on type; yellow

Item No.: 248-501/000-006
Mini-WSB marking card; as card; not stretchable; plain; snap-on type; blue

Item No.: 248-501/000-007
Mini-WSB marking card; as card; not stretchable; plain; snap-on type; gray

Item No.: 248-501/000-023
Mini-WSB marking card; as card; not stretchable; plain; snap-on type; green



Item No.: 248-501/000-017
Mini-WSB marking card; as card; not stretchable; plain; snap-on type; light green

Item No.: 248-501/000-012
Mini-WSB marking card; as card; not stretchable; plain; snap-on type; orange

Item No.: 248-501/000-005
Mini-WSB marking card; as card; not stretchable; plain; snap-on type; red

Item No.: 248-501/000-024
Mini-WSB marking card; as card; not stretchable; plain; snap-on type; violet



Item No.: 248-501
Mini-WSB marking card; as card; not stretchable; plain; snap-on type; white

Item No.: 248-501/000-002
Mini-WSB marking card; as card; not stretchable; plain; snap-on type; yellow

1.2.2.3 Marker carrier



Item No.: 750-103
Group marker carrier

1.2.3 Pluggable connector

1.2.3.1 Coding



Item No.: 753-150
753 Series coding elements

1.2.4 Shield termination

1.2.4.1 Shield clamping saddles



Item No.: 790-108
Shield clamping saddle; 11 mm wide; diameter of compatible conductor; 3 ... 8 mm



Item No.: 790-208
Shield clamping saddle; 12.4 mm wide; 3 ... 8 mm



Item No.: 790-116
Shield clamping saddle; 19 mm wide; diameter of compatible conductor; 7 ... 16 mm



Item No.: 790-216
Shield clamping saddle; 21.8 mm wide; 6 ... 16 mm



Item No.: 790-124
Shield clamping saddle; 27 mm wide; diameter of compatible conductor; 6 ... 24 mm



Item No.: 790-220
Shield clamping saddle; 30 mm wide; 6 ... 20 mm



Item No.: 790-140
Shield clamping saddle; diameter of compatible conductor

1.2.5 Supply module

1.2.5.1 Supply module



Item No.: 750-612

Power Supply; 0 ... 230 V AC/DC



Item No.: 753-612

Power Supply; 0 ... 230 V AC/DC



Item No.: 750-602

Power Supply; 24 VDC



Item No.: 753-602

Power Supply; 24 VDC



Item No.: 750-601

Power Supply; 24 VDC; fuse holder



Item No.: 750-610

Power Supply; 24 VDC; fuse holder; Diagnostics

1.2.6 System enclosure

1.2.6.1 System enclosure



Item No.: 850-825

IP65 enclosure; Aluminium (RAL 7032); WxHxD (160x100x160 mm); 9 x M12, 4 x M20



Item No.: 850-826

IP65 enclosure; Aluminium (RAL 7032); WxHxD (240x100x160 mm); 4 x M20, 4 x M16, 14 x M12 cable grip



Item No.: 850-827

IP65 enclosure; Aluminium (RAL 7032); WxHxD (320x100x160 mm); 4 x M20, 8 x M16, 17 x M12 cable grip



Item No.: 850-828

IP65 enclosure; Aluminium (RAL 7032); WxHxD (480x100x160 mm); 4 x M20, 10 x M16, 35 x M12 cable grip



Item No.: 850-826/002-000

IP65 enclosure; Aluminium (RAL 7035); WxHxD (240x100x160 mm); 4 x M20, 4 x M16, 14 x M12 cable grip



Item No.: 850-827/002-000

IP65 enclosure; Aluminium (RAL 7035); WxHxD (320x100x160 mm); 4 x M20, 8 x M16, 17 x M12 cable grip



Item No.: 850-828/002-000

IP65 enclosure; Aluminium (RAL 7035); WxHxD (480x100x160 mm); 4 x M20, 10 x M16, 35 x M12 cable grip



Item No.: 850-834

IP65 enclosure; Polyester (RAL 7032); WxHxD (164x100x164 mm); 9 x M12, 4 x M20



Item No.: 850-835

IP65 enclosure; Polyester (RAL 7032); WxHxD (244x100x164 mm); 4 x M20, 4 x M16, 14 x M12 cable grip



Item No.: 850-836

IP65 enclosure; Polyester (RAL 7032); WxHxD (324x100x164 mm); 4 x M20, 8 x M16, 17 x M12 cable grip



Item No.: 850-814/002-000

IP65 enclosure; Sheet steel (RAL 7035); WxHxD (200x120x200 mm); without flange plate



Item No.: 850-815/002-000

IP65 enclosure; Sheet steel (RAL 7035); WxHxD (300x120x200 mm); without flange plate



Item No.: 850-816/002-000

IP65 enclosure; Sheet steel (RAL 7035); WxHxD (400x120x200 mm); without flange plate



Item No.: 850-817/002-000

IP65 enclosure; Sheet steel (RAL 7035); WxHxD (600x120x200 mm); without flange plate