

KombiSIGN 50 / Accessories

Base for tube D25mm, metal BK



Part No.: 975.840.91

MECHANICAL DATA	
Height	31 mm
Diameter	70 mm
Materials	Aluminium
Housing colour	Black
Weight with packaging	109 g
Product weight	109 g

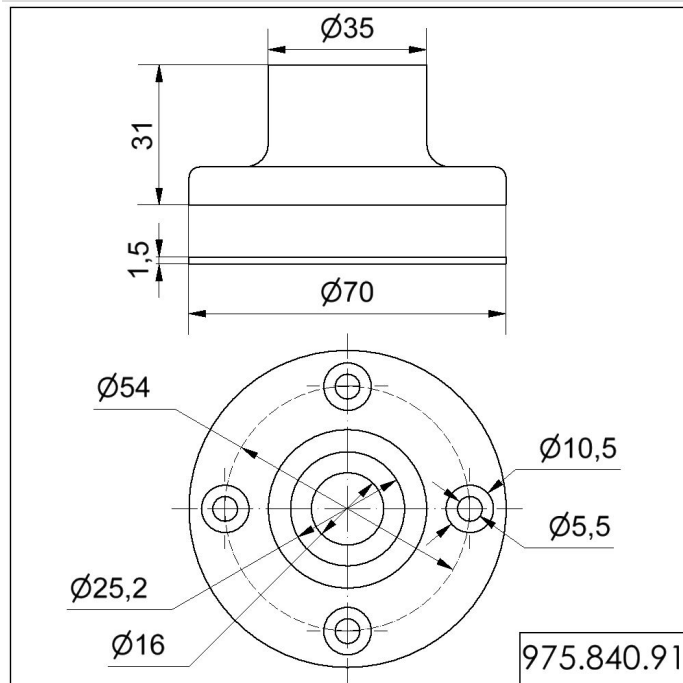
APPROVAL DATA	
Conforms with CE	No
Conforms with RoHS directive	Fulfills substance restriction
WEEE	No
Conforms with ATEX-directive	No
Conforms with CCC	No
Conforms with UL	No
Conforms with FCC	No
Conforms with IC	No
EAC certificate available	No
Conforms with AS-I	No
ICAO Certification	No
Conforms with DNV	No
Conforms with RoHS CN	No

! For additional installation and mounting information, refer to the appropriate user guide at www.werma.com. This printed copy is for information only and is subject to alteration.

KombiSIGN 50 / Accessories

Base for tube D25mm, metal BK

DRAWING



For additional installation and mounting information, refer to the appropriate user guide at www.werma.com. This printed copy is for information only and is subject to alteration.