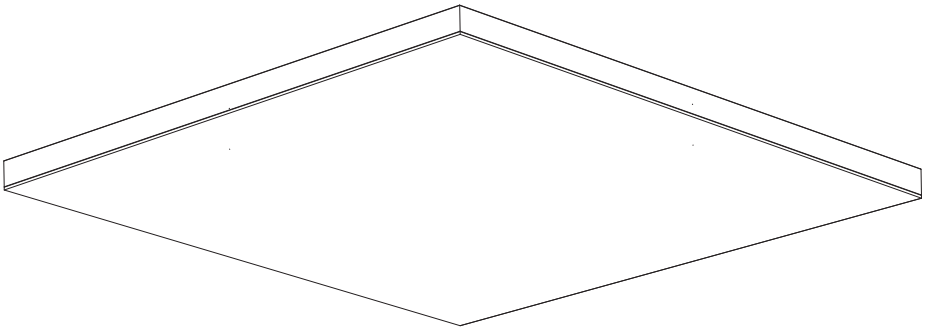
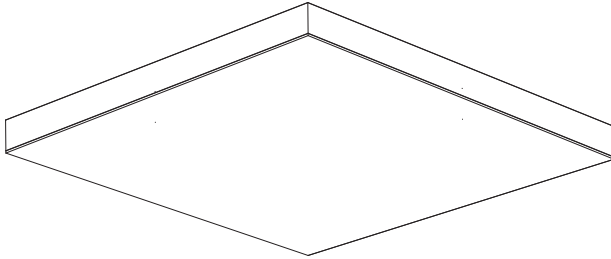
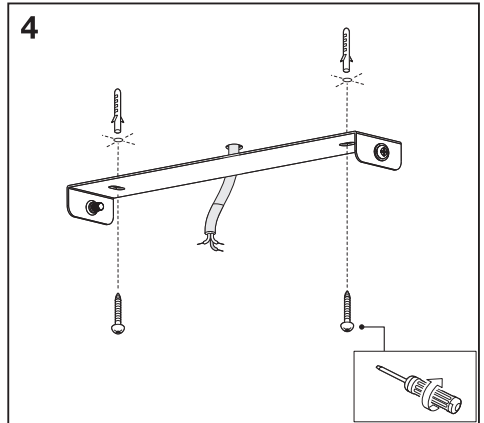
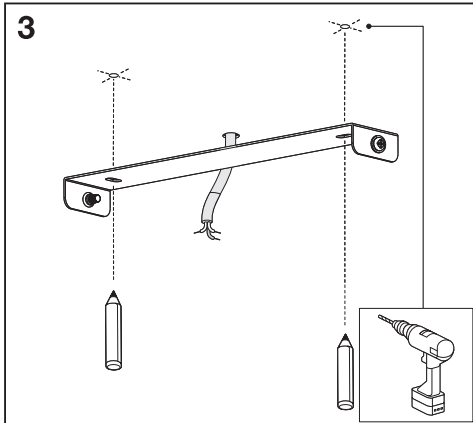
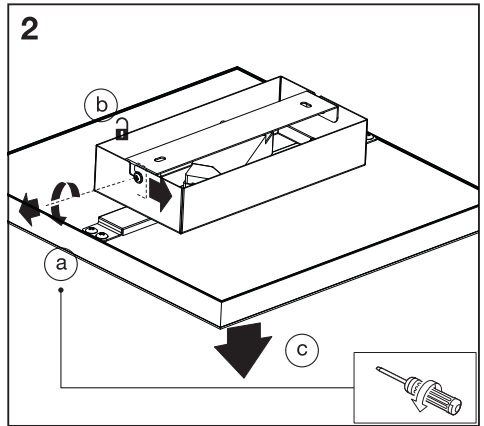
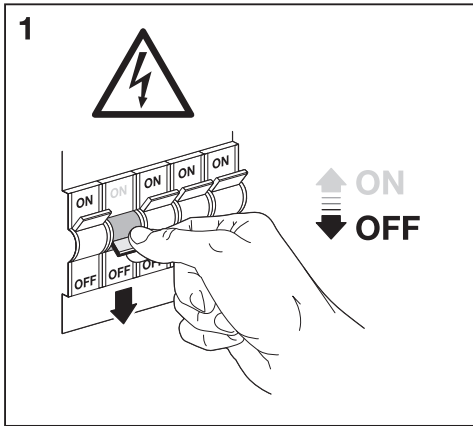
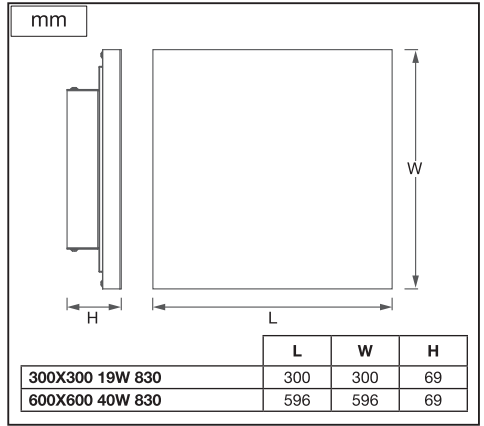
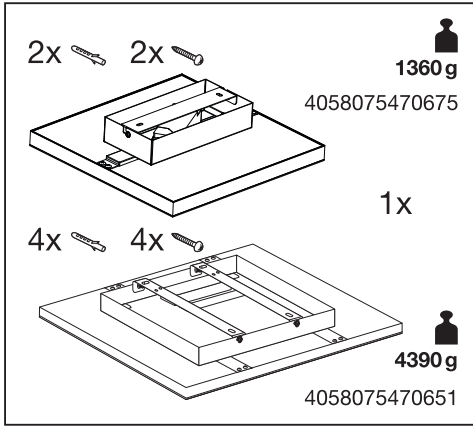
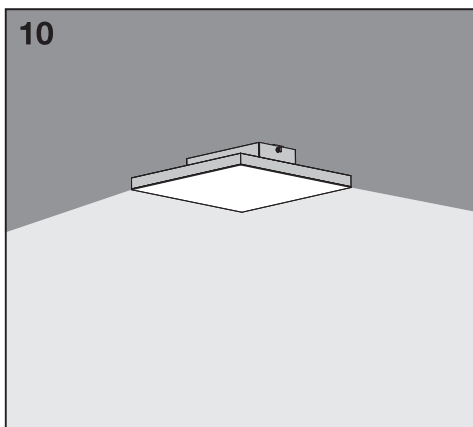
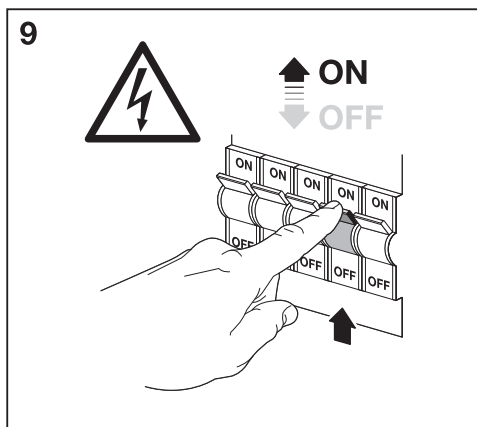
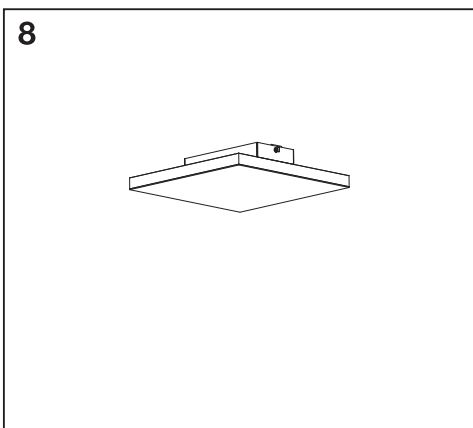
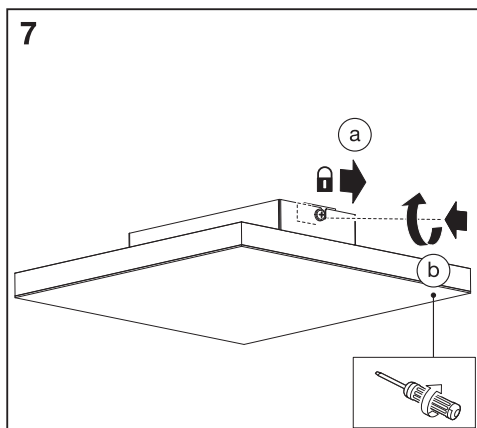
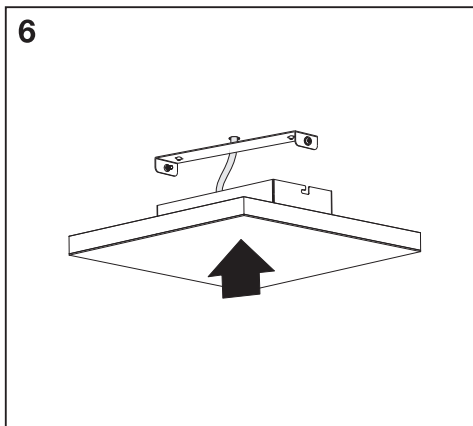
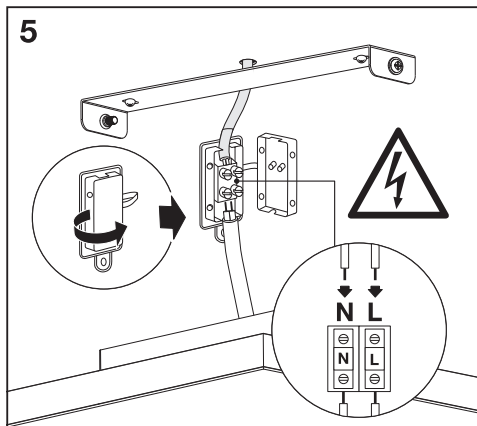

PLANON FRAMELESS



	EAN	W	lm	K	⌀ (°C)	V~	mA	Hz	PF
PLANON FRAMELESS 300X300 19W 830	4058075470675	19	1500	3000	-25...+40	220-240	84	50/60	>0.9
PLANON FRAMELESS 600X600 40W 830	4058075470651	40	3300	3000	-25...+40	220-240	169	50/60	>0.9







C10449057
G11094365V2
23.04.2020



LEDVANCE GmbH
Steinerne Furt 62
86167 Augsburg, Germany
www.ledvance.com