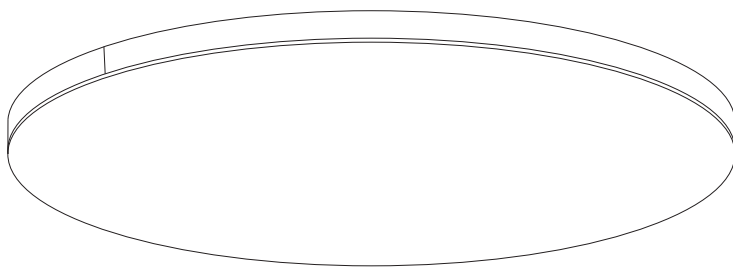
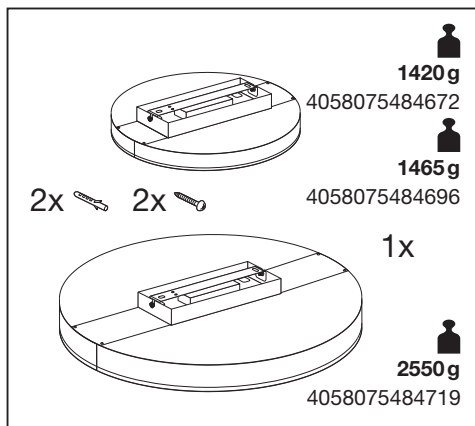









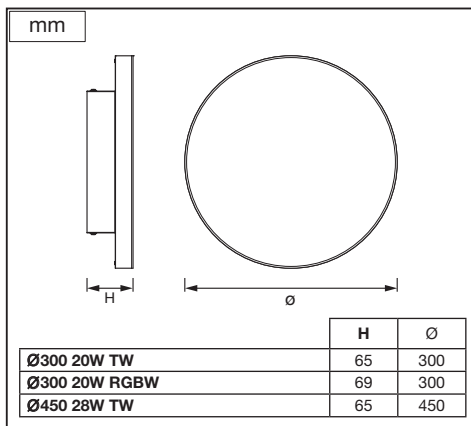
SMART⁺ PLANON FRAMELESS



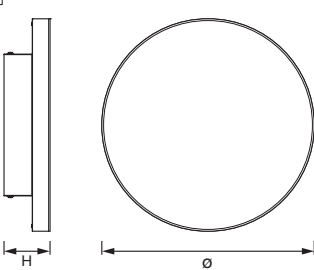
	EAN	W	lm	K	⊖ (°C)	V~	mA	Hz	PF
SMART WIFI PLANON FRAMELESS RD30 TW	4058075484672	20	1700	3000-6500	-20...+40	220-240	90	50/60	>0.9
SMART WIFI PLANON FRAMELESRD30RGBTW	4058075484696	20	1500	3000	-20...+40	220-240	90	50/60	>0.9
SMART WIFI PLANON FRAMELESS RD45 TW	4058075484719	28	2700	3000-6500	-20...+40	220-240	125	50/60	>0.9



 **1420 g**
 4058075484672
 **1465 g**
 4058075484696
2x  **2x** 
1x
 **2550 g**
 4058075484719

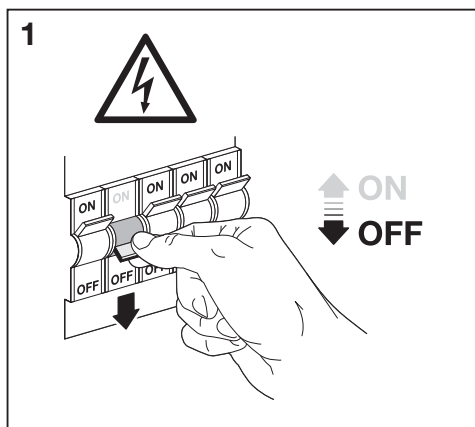



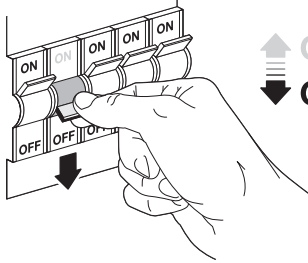
mm



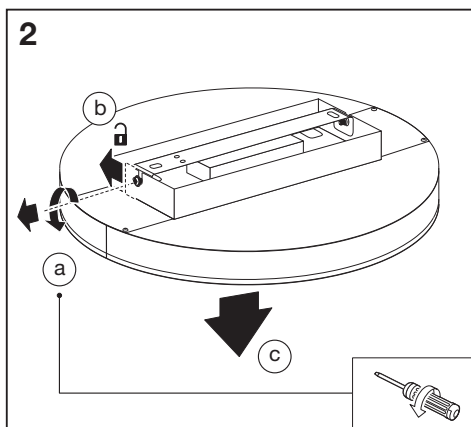
	H	Ø
Ø300 20W TW	65	300
Ø300 20W RGBW	69	300
Ø450 28W TW	65	450


1



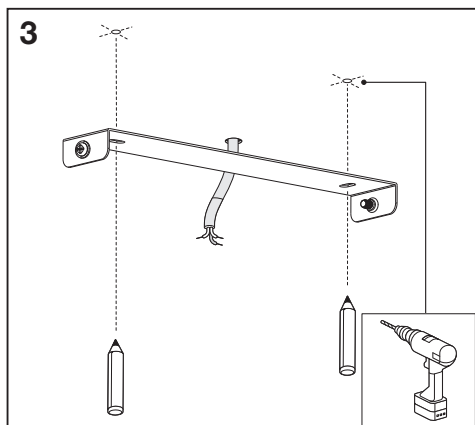


 ON
 OFF

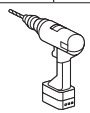
2



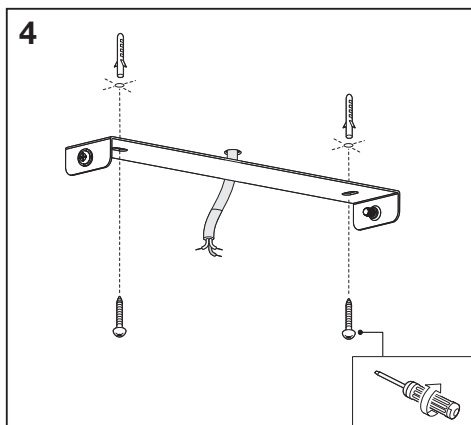
a, b, c



3

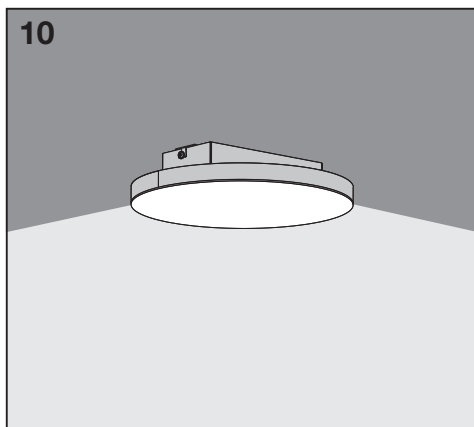
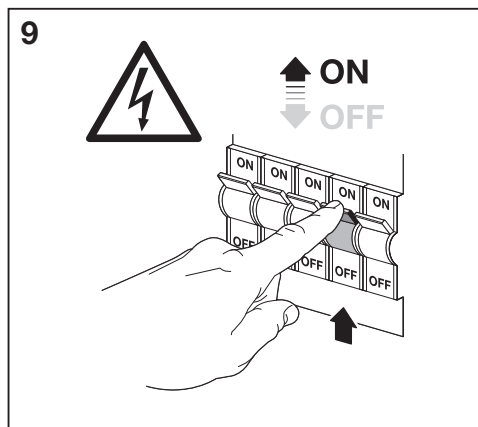
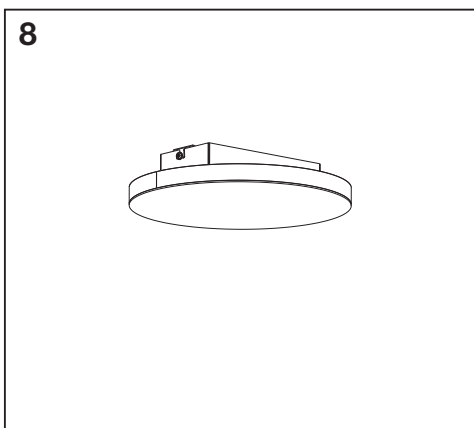
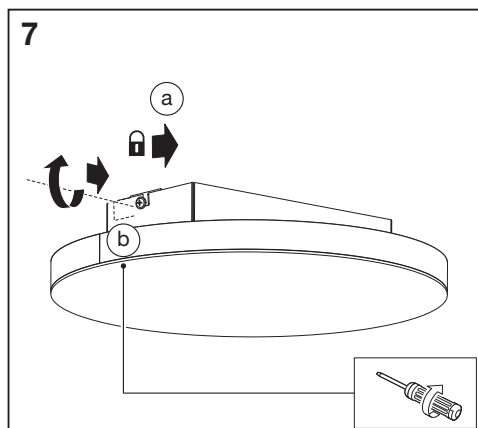
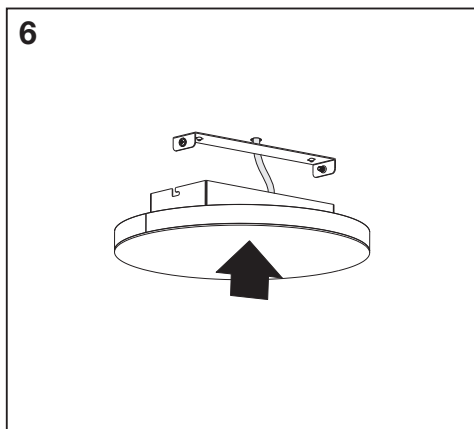
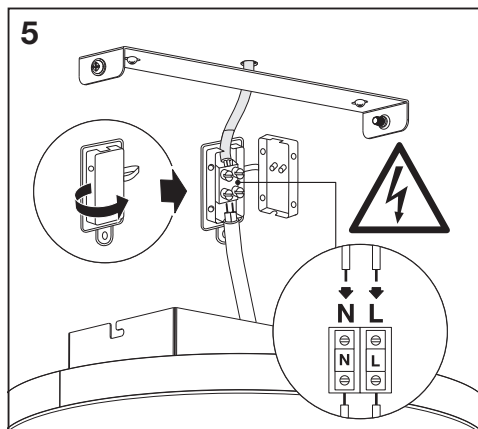




4









C10449057
G11097700
07.07.2020



LEDVANCE GmbH
Steinerne Furt 62
86167 Augsburg, Germany
www.ledvance.com