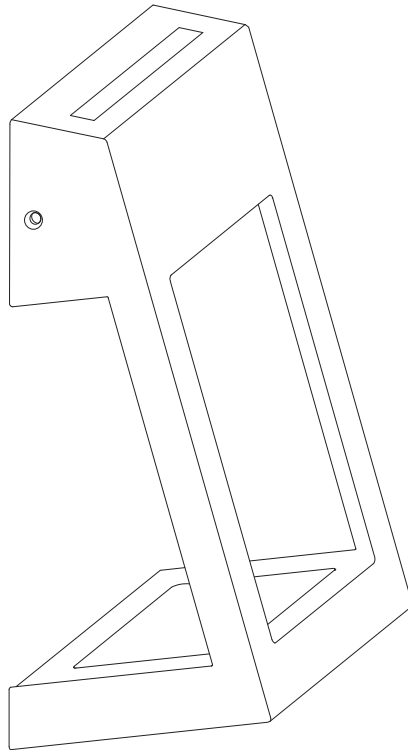


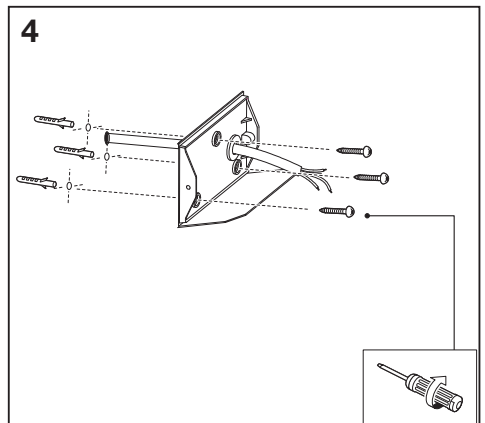
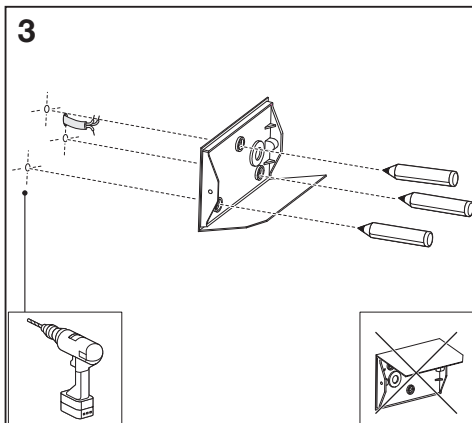
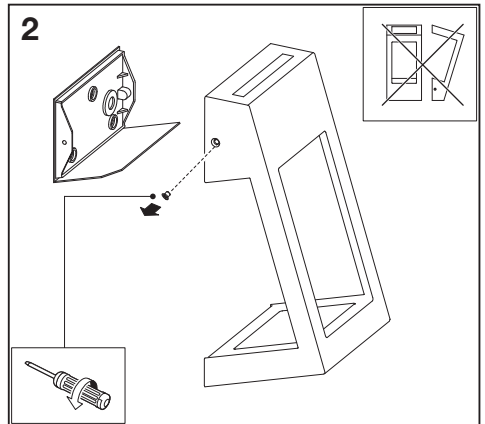
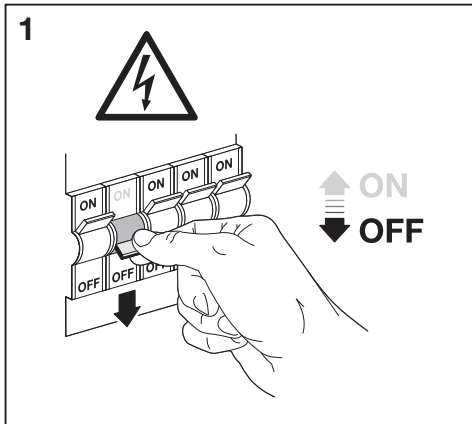
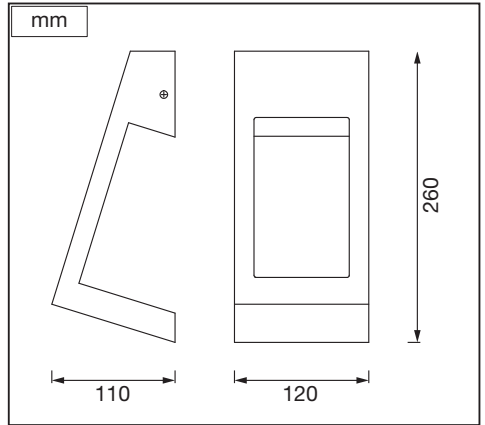
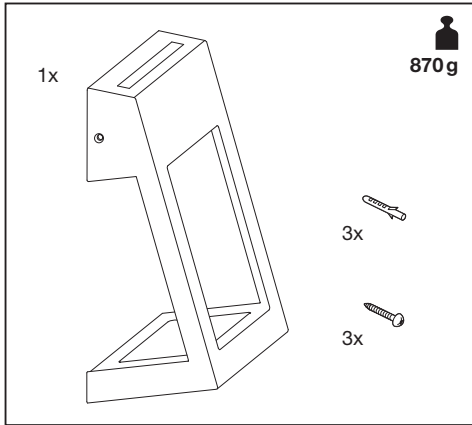
---

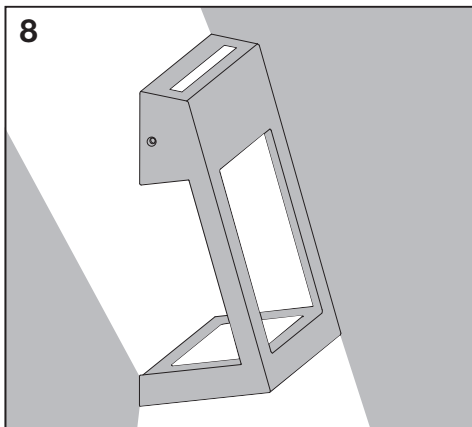
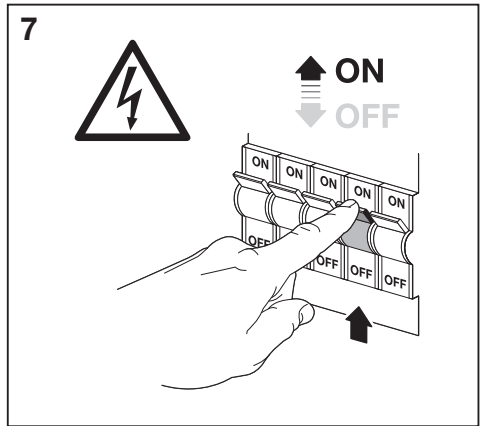
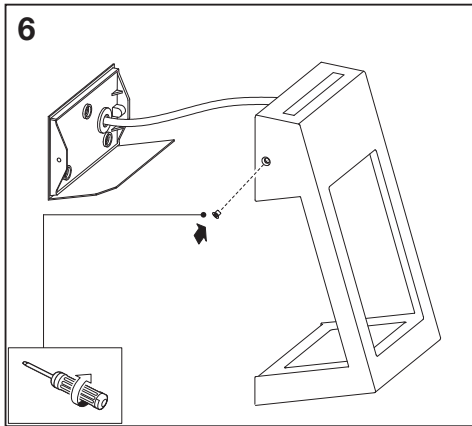
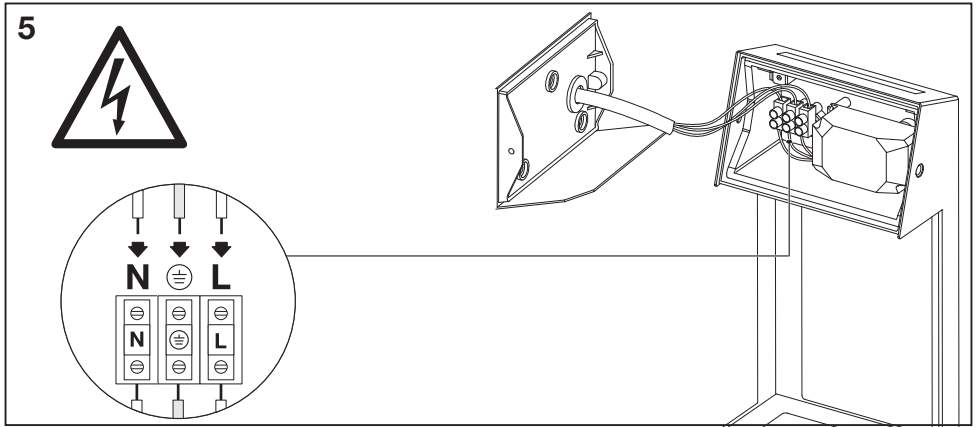
**ENDURA® STYLE**



---



	EAN	W	lm	K	⊖ (°C)	V~	mA	Hz	PF
ENDURA STYLE EDGE WALLUPDOWN 7WST	4058075478091	7	360	3000	-20...+40	220-240	50	50/60	>0.5





	EAN	This product contains a light source of energy efficiency class	Contained Light Source
ENDURA STYLE EDGE WALLUPDOWN 7WST	4058075478091	D	



C10449057  
G11128789  
04.10.2021



LEDVANCE GmbH  
Steinerne Furt 62  
86167 Augsburg, Germany  
[www.ledvance.com](http://www.ledvance.com)