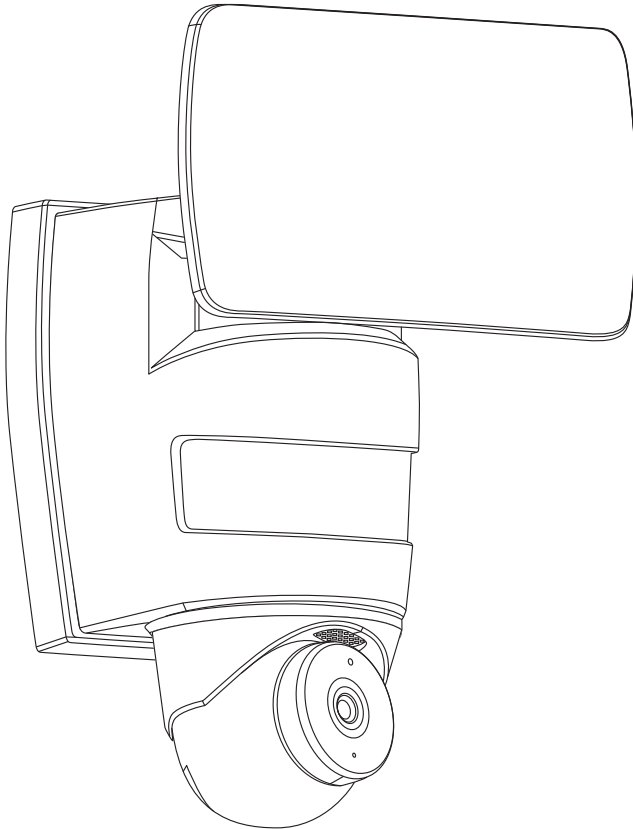
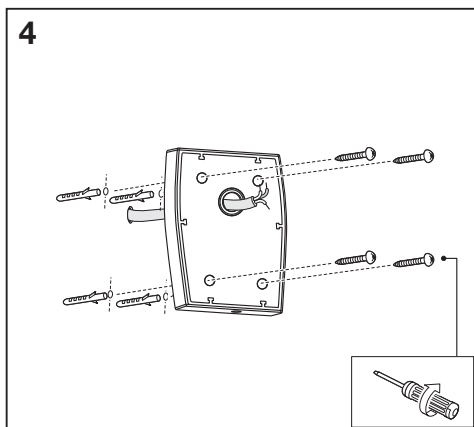
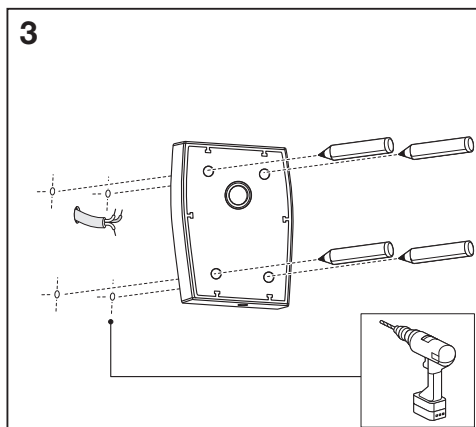
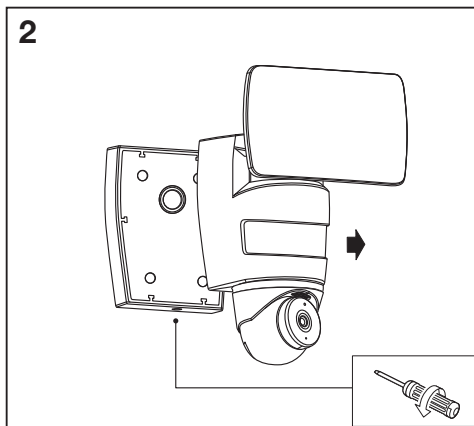
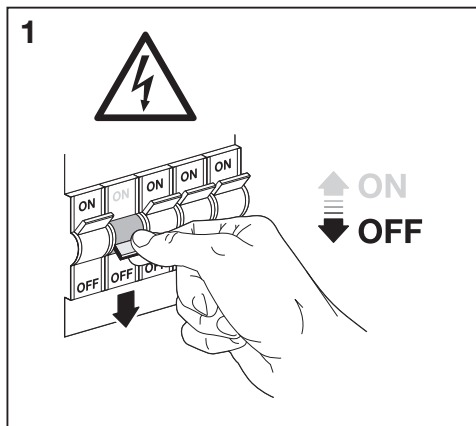
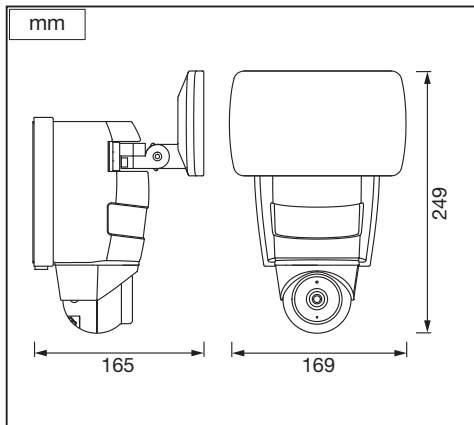
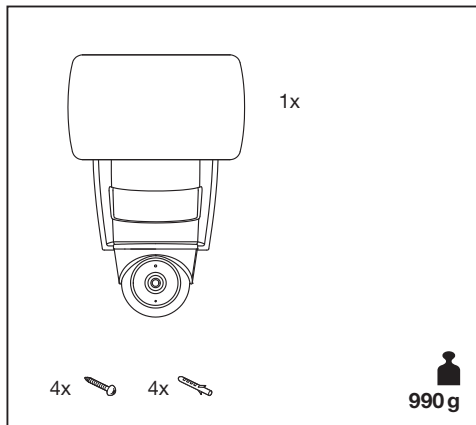


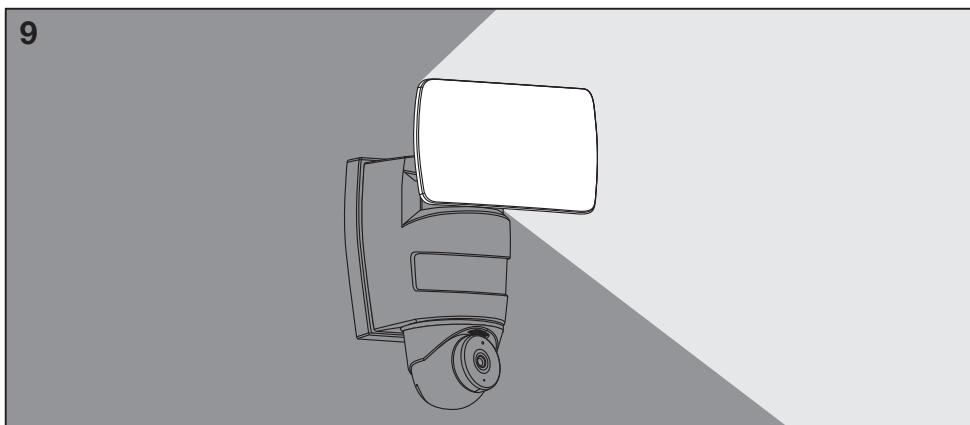
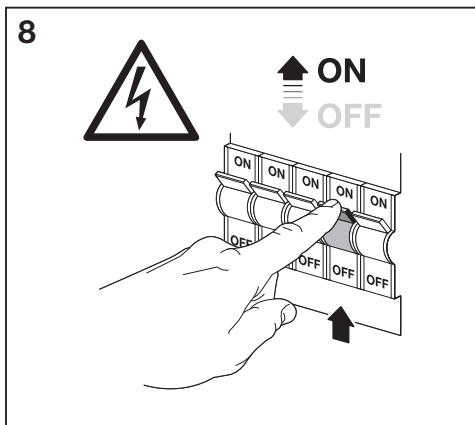
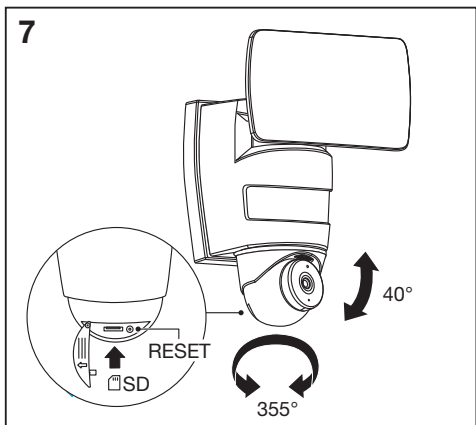
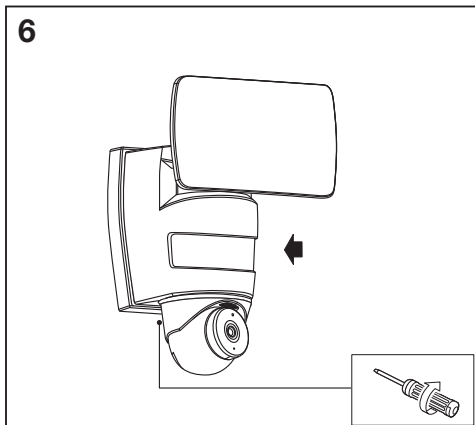
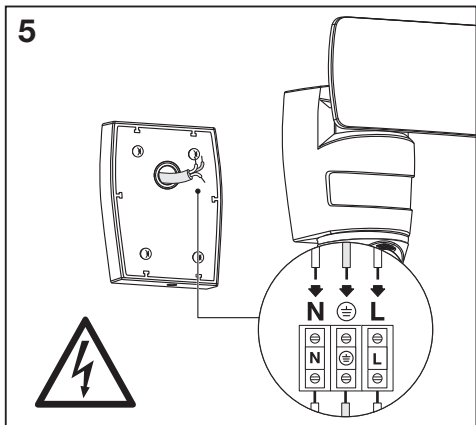


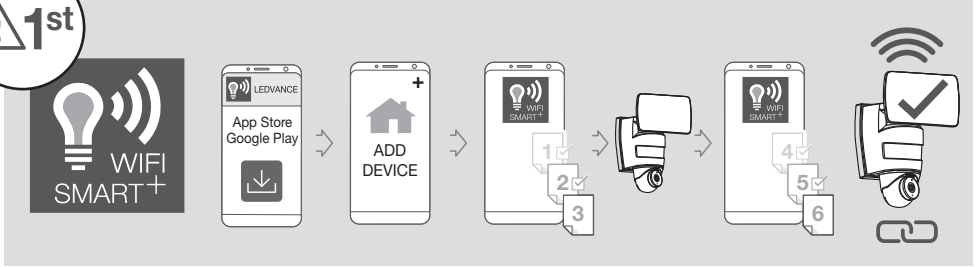
SMART⁺ WIFI FLOOD



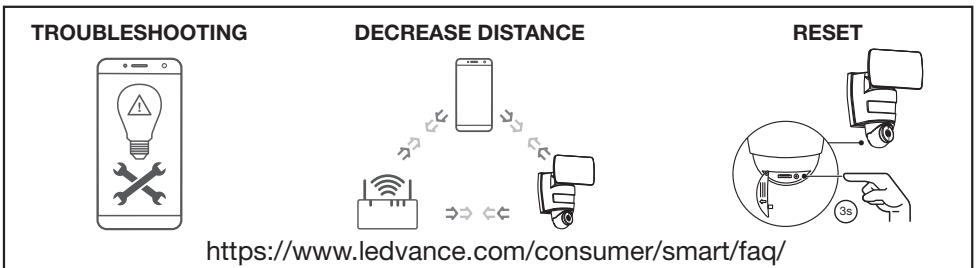
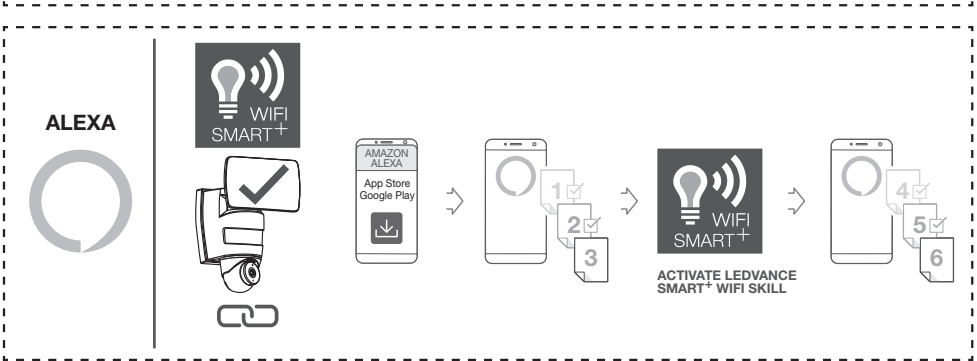
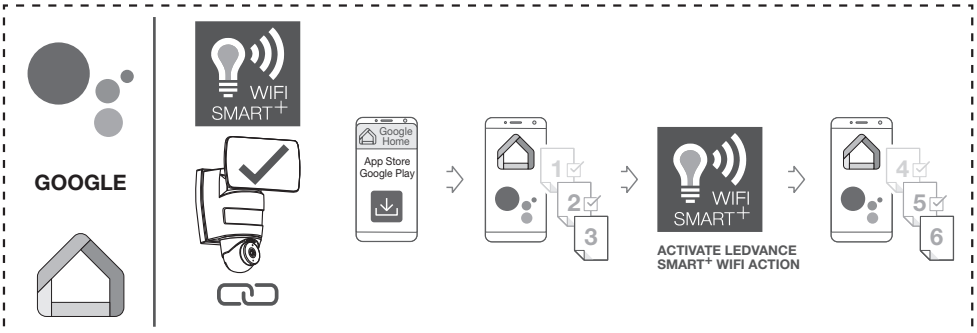
	EAN	W	lm	K	IP	°C	V~	mA	Hz	PF
SMART OUTD WIFI FLOOD CAMERA 830 DG	4058075478312	24	1800	3000	44	-20...+40	220-240	104	50/60	>0.5

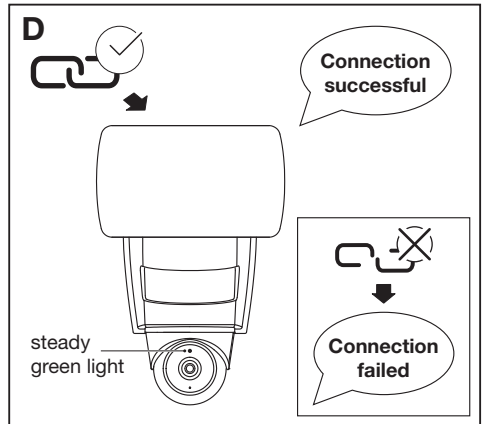
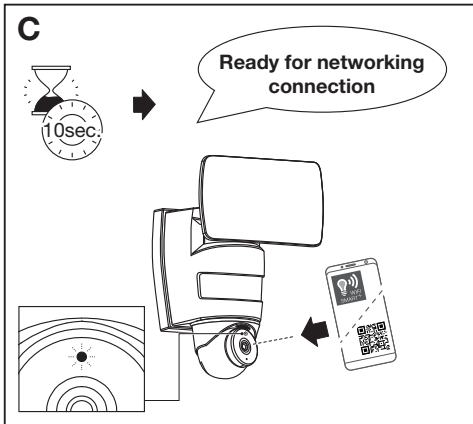
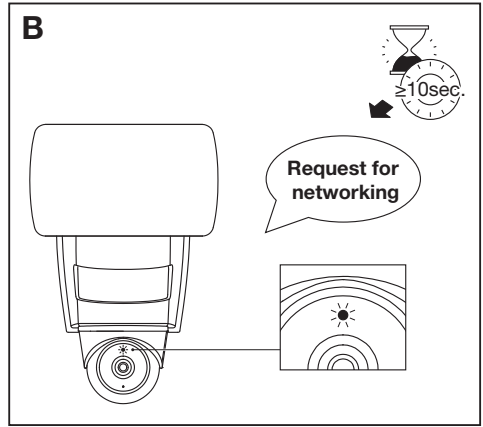
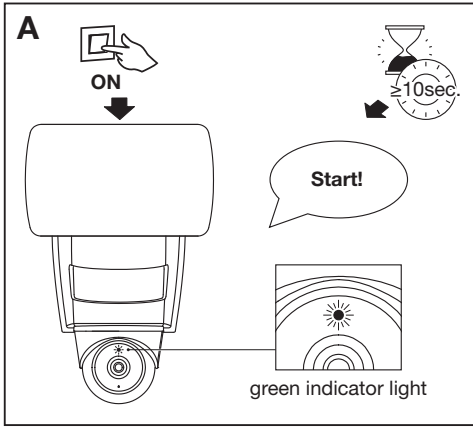






OPTIONAL







CE ENEC



061



IP44 RoHS

C10567405
G11100642
28.08.2020



LEDVANCE GmbH
Steinerne Furt 62
86167 Augsburg, Germany
www.ledvance.com