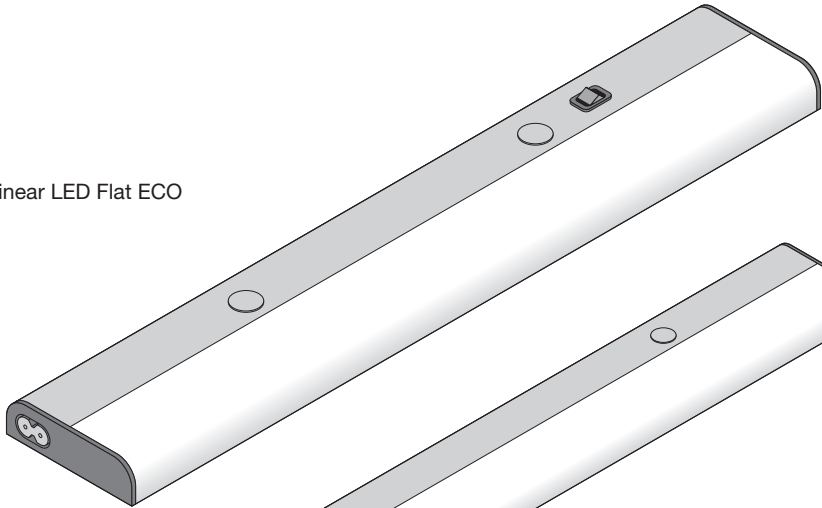
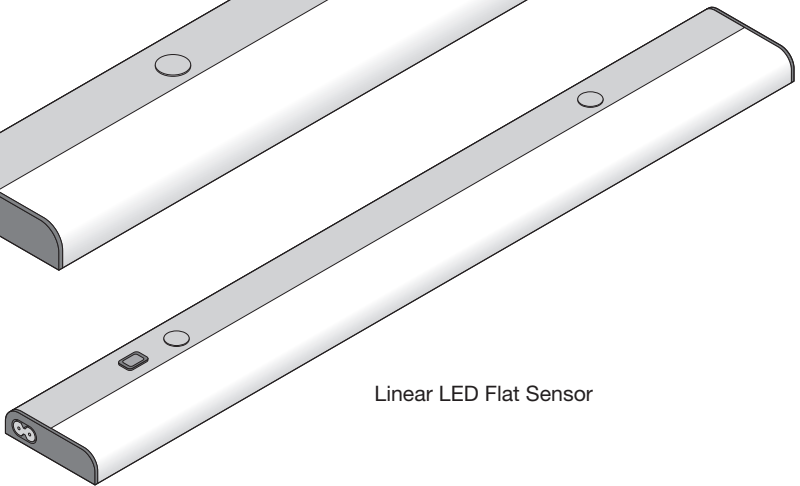

LINEAR LED FLAT

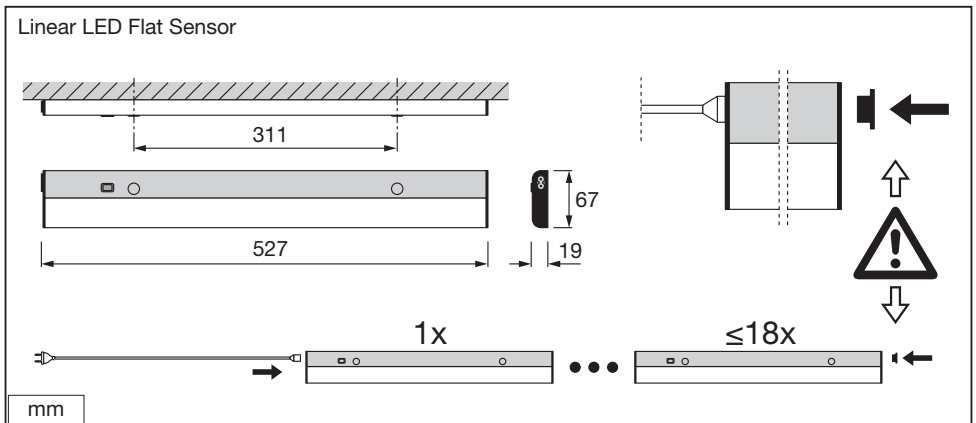
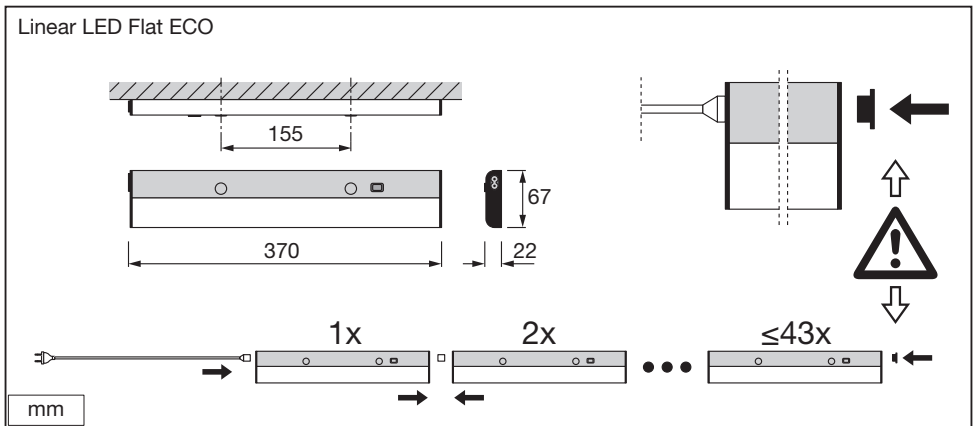
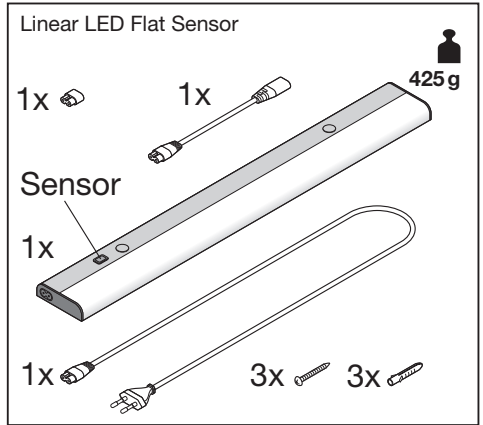
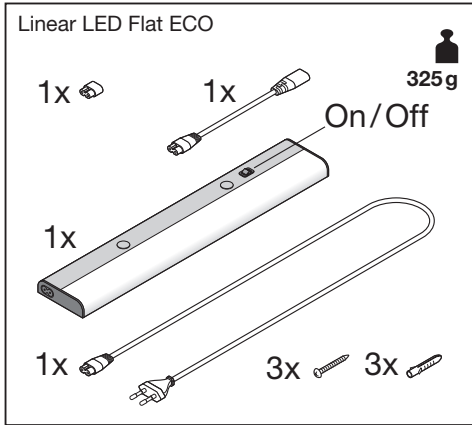
Linear LED Flat ECO

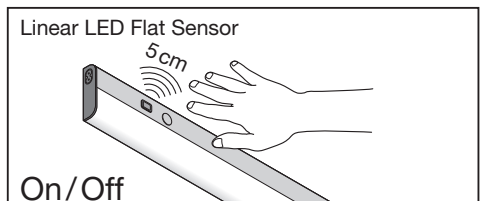
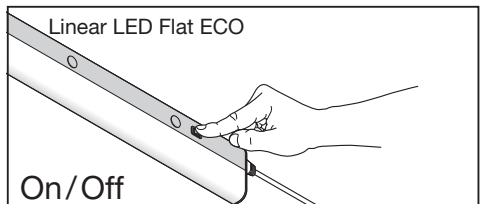
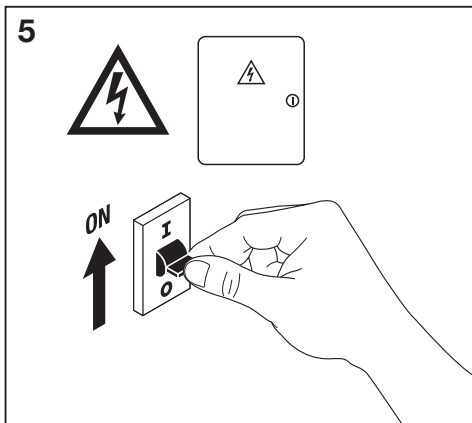
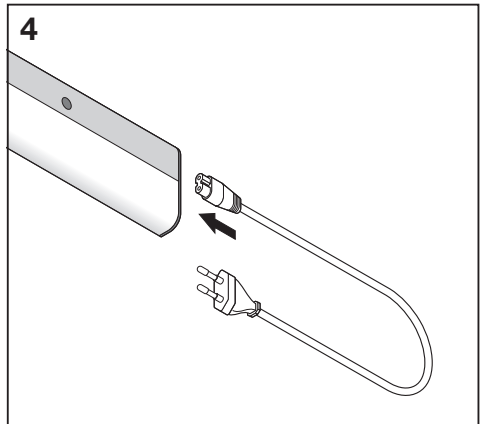
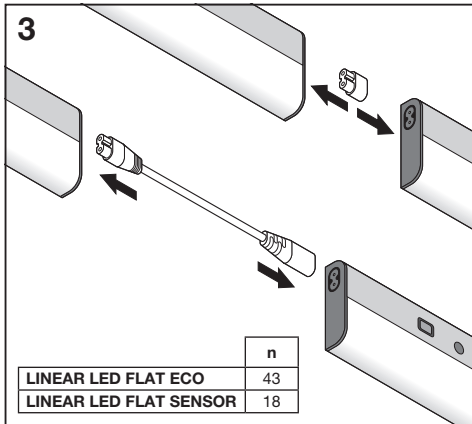
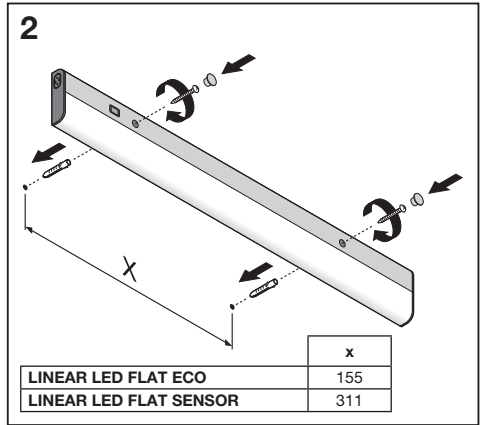
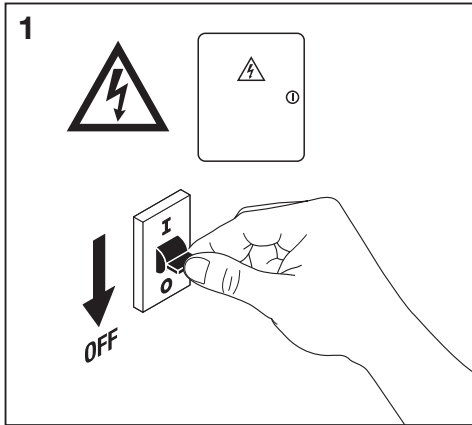






Linear LED Flat Sensor



	EAN	W	lm	K	V~	Hz	mA	PF
LINEAR LED FLAT ECO 830	4058075264144	5	300	3000	220-240	50/60	40	>0.5
LINEAR LED FLAT ECO 840	4058075264328	5	320	4000	220-240	50/60	40	>0.5
LINEAR LED FLAT SENSOR 830	4058075264410	12	760	3000	220-240	50/60	100	>0.5
LINEAR LED FLAT SENSOR 840	4058075264618	12	840	4000	220-240	50/60	100	>0.5





	EAN	This product contains a light source of energy efficiency class	Contained Light Source
LINEAR LED FLAT ECO 830	4058075264144	F	
LINEAR LED FLAT ECO 840	4058075264328	F	
LINEAR LED FLAT SENSOR 830	4058075264410	F	
LINEAR LED FLAT SENSOR 840	4058075264618	F	



C10449057
G11122634
30.06.2021



LEDVANCE GmbH
Steinerne Furt 62
86167 Augsburg, Germany
www.ledvance.com