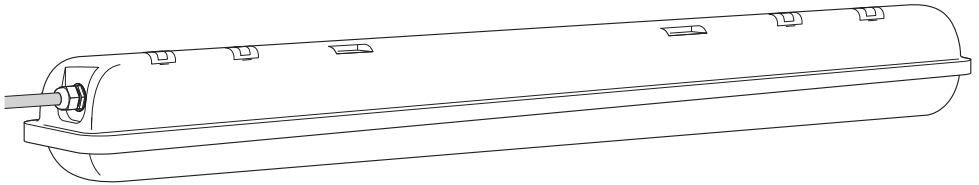

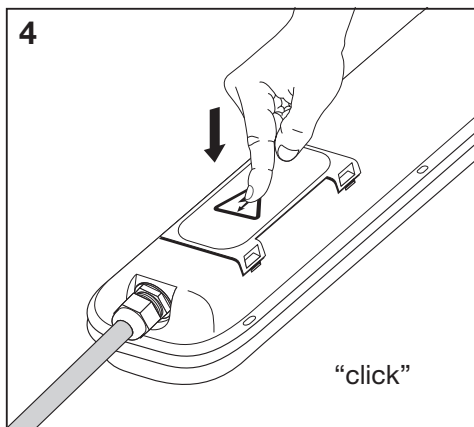
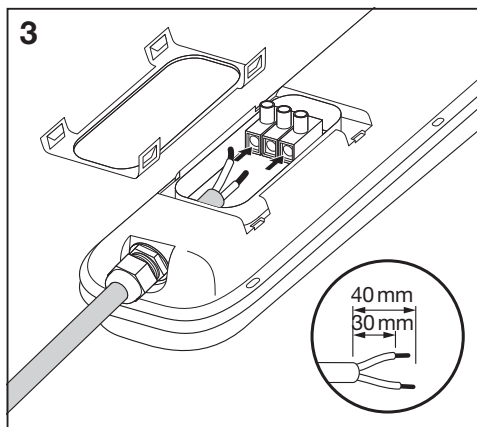
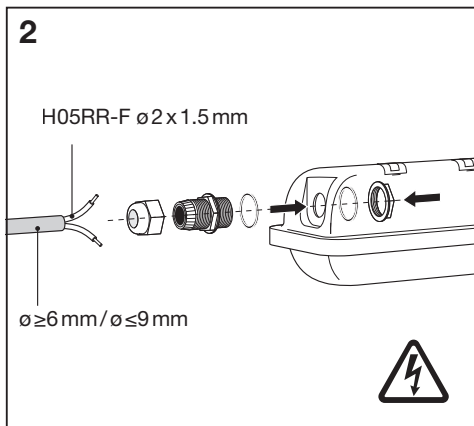
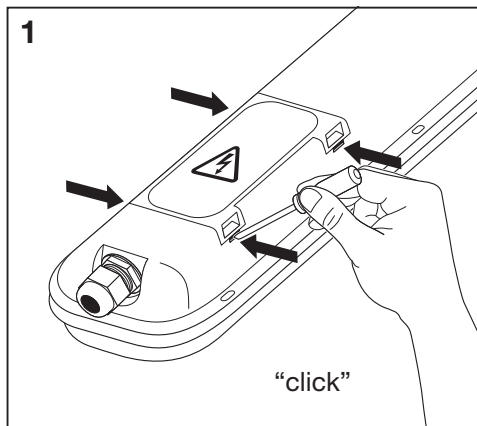
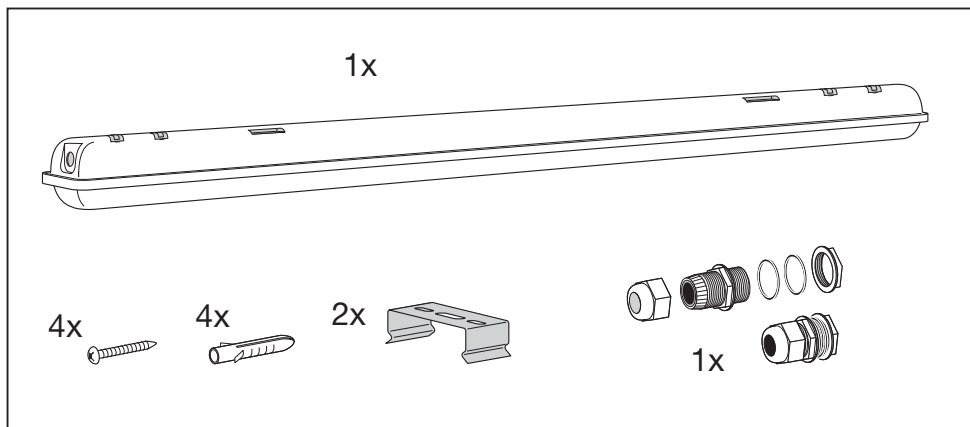
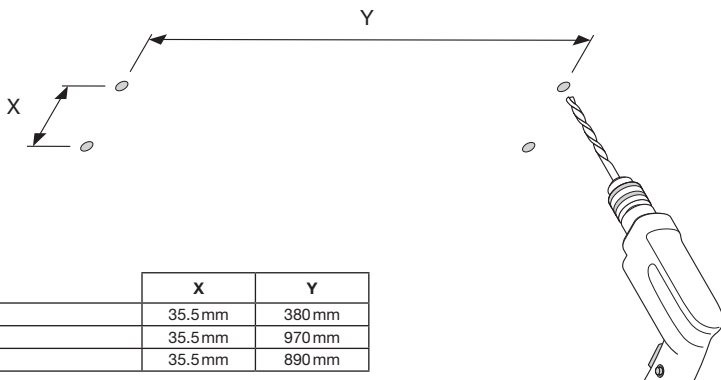

SUBMARINE INTEGRATED



	EAN	W	lm	K	IP	Temp (°C)	V~	mA	Hz	PF	
SUBMARINE LED I 0.6M 840	4058075260351	18	1500	4000	65	-20...+40	220-240	78	50/60	>0.9	0.7 kg
SUBMARINE LED I 1.2M 840	4058075260412	36	3000	4000	65	-20...+40	220-240	157	50/60	>0.9	1.2 kg
SUBMARINE LED I 1.5M 840	4058075260498	48	4000	4000	65	-20...+40	220-240	209	50/60	>0.9	1.6 kg

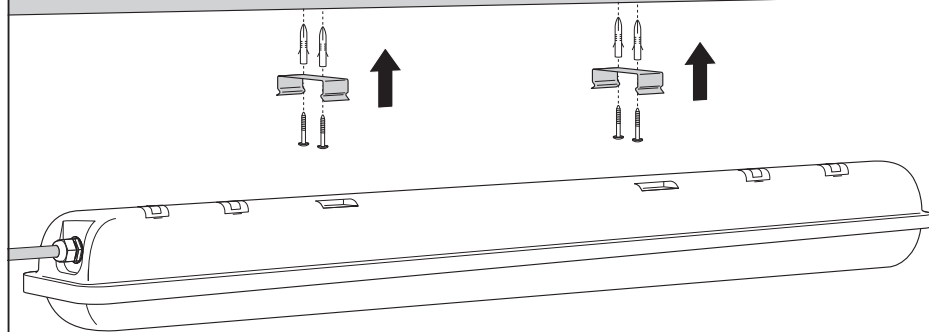


5

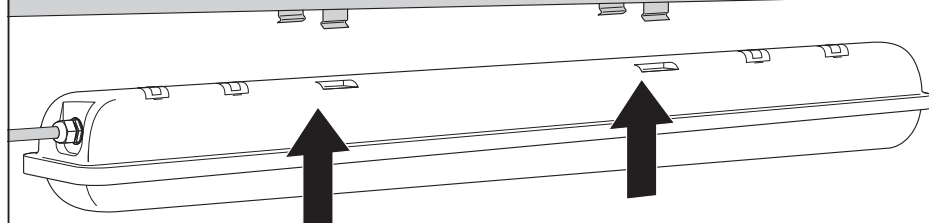


	X	Y
0.6 M 840	35.5 mm	380 mm
1.2 M 840	35.5 mm	970 mm
1.5 M 840	35.5 mm	890 mm

6



7



“click”

“click”



C10449057
G11064018
31.01.2019



LEDVANCE GmbH
Steinerne Furt 62
86167 Augsburg, Germany
www.ledvance.com