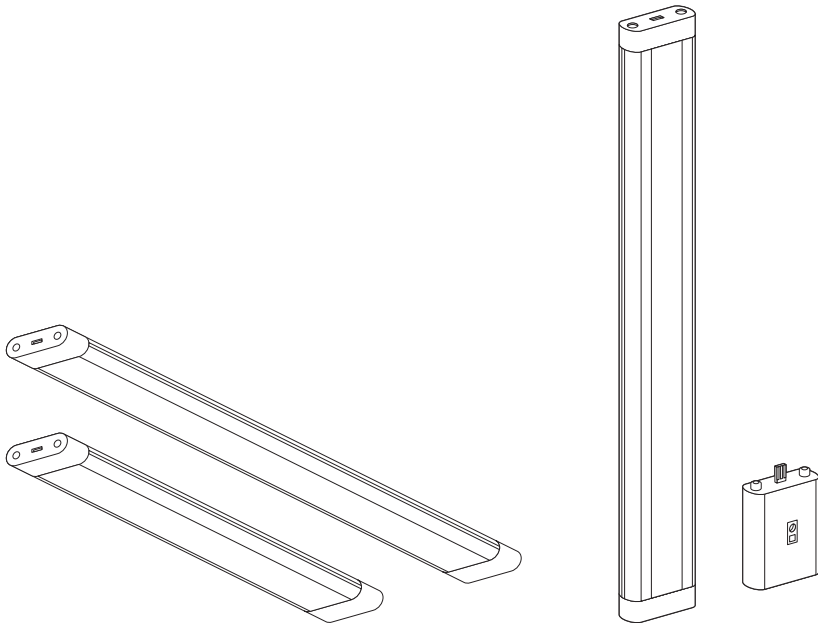
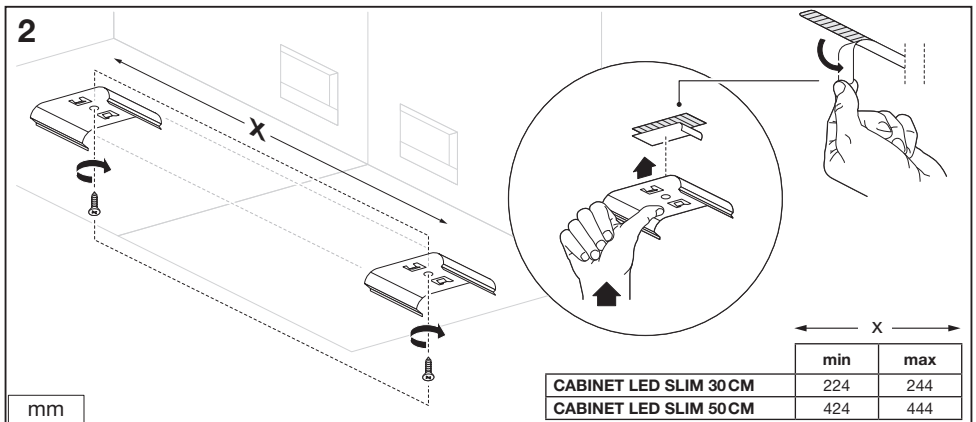
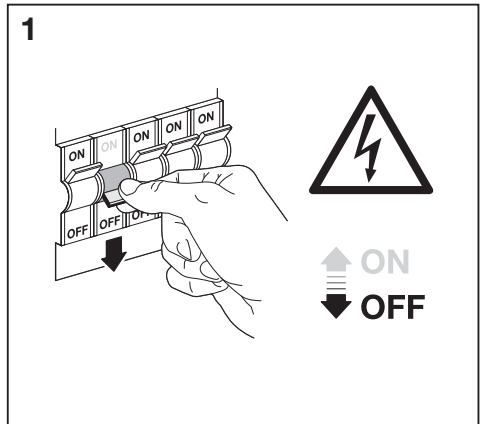
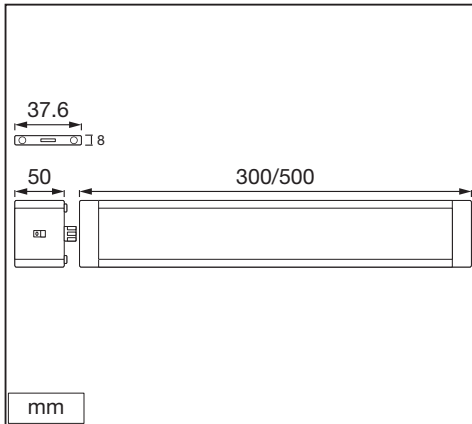
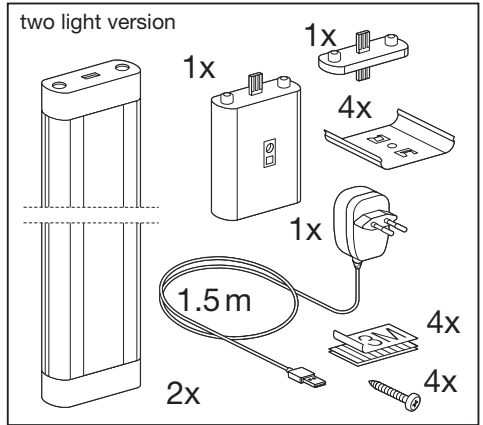
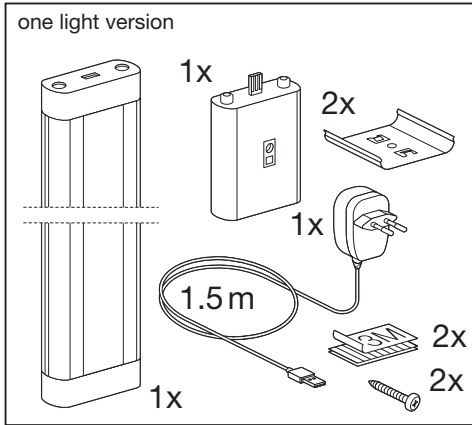

CABINET LED SLIM

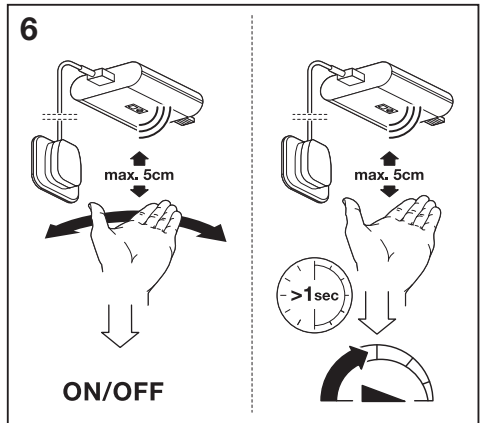
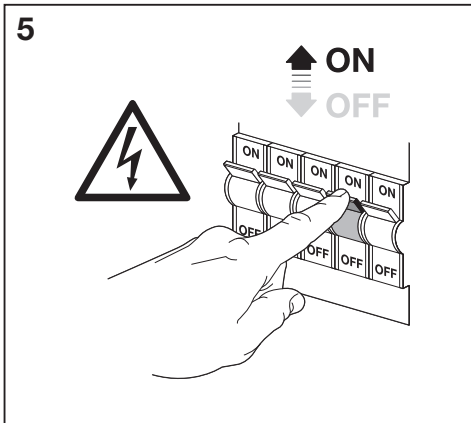
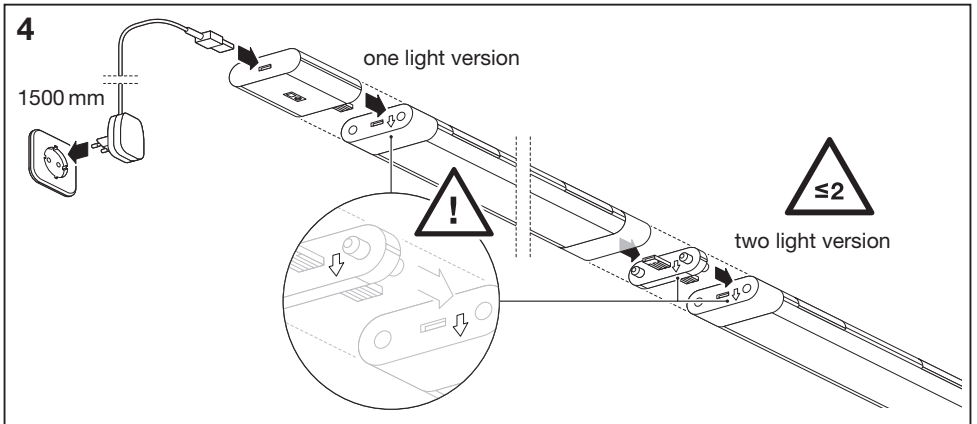
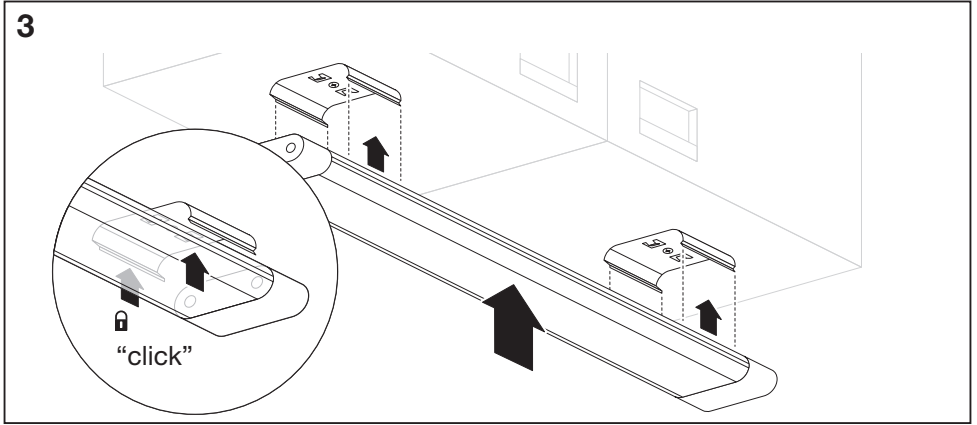
LOW-VOLTAGE UNDER CABINET LUMINAIRES







	EAN	W	lm	K	⊖ (°C)	V~	mA	Hz	PF	⊞
CABINET LED SLIM 30 CM	4058075227699	6	250	3000	-20...+40	220-240	60	50/60	>0.5	0.2 kg
CABINET LED SLIM 30 CM TWO LIGHT	4058075227712	11	530	3000	-20...+40	220-240	110	50/60	>0.5	0.3 kg
CABINET LED SLIM 50 CM	4058075268364	10	470	3000	-20...+40	220-240	100	50/60	>0.5	0.3 kg
CABINET LED SLIM 50 CM TWO LIGHT	4058075227736	18	980	3000	-20...+40	220-240	180	50/60	>0.5	0.5 kg

CABINET LED SLIM





	EAN	This product contains a light source of energy efficiency class	Contained Light Source
CABINET LED SLIM 30 CM	4058075227699	F	
CABINET LED SLIM 30 CM TWO LIGHT	4058075227712	F	
CABINET LED SLIM 50 CM	4058075268364	F	
CABINET LED SLIM 50 CM TWO LIGHT	4058075227736	F	



C10449057
G11130338
08.10.2021



LEDVANCE GmbH
Steinerne Furt 62
86167 Augsburg, Germany
www.ledvance.com