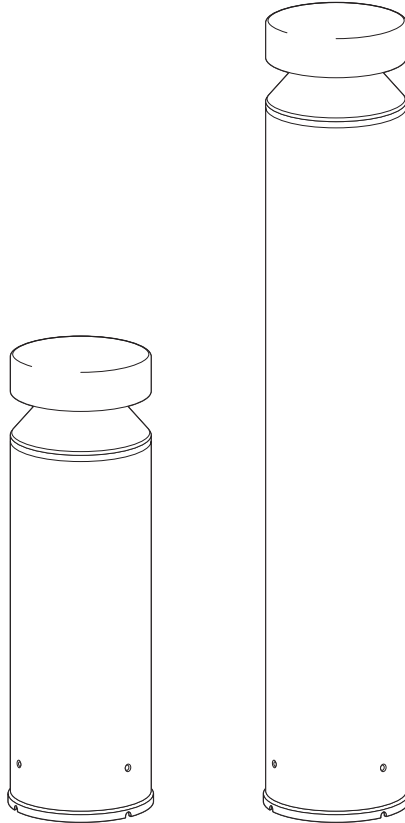


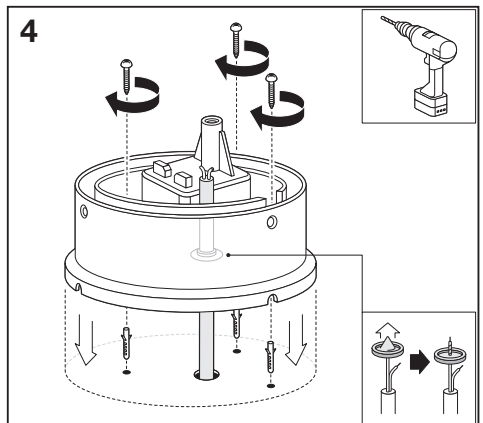
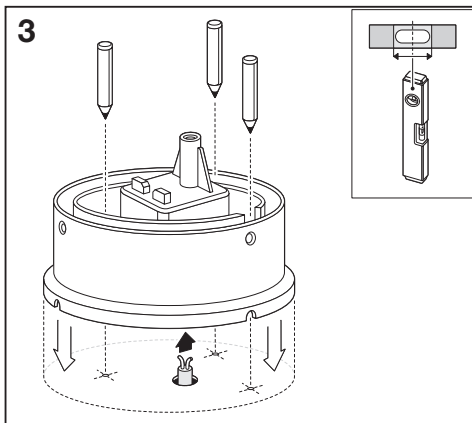
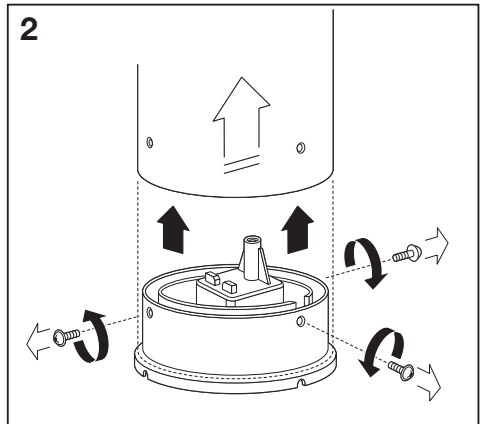
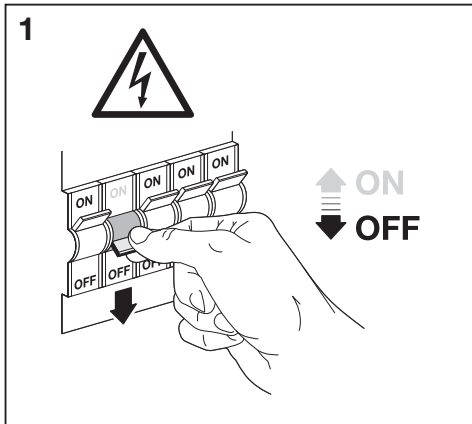
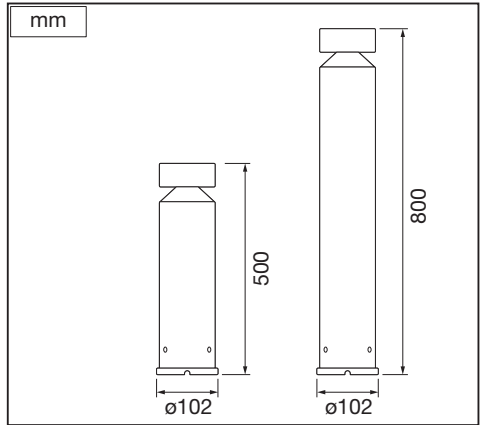
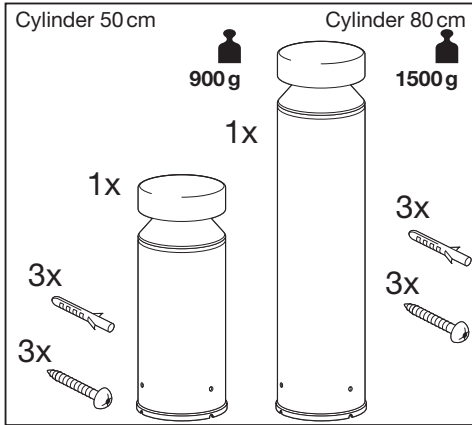
---

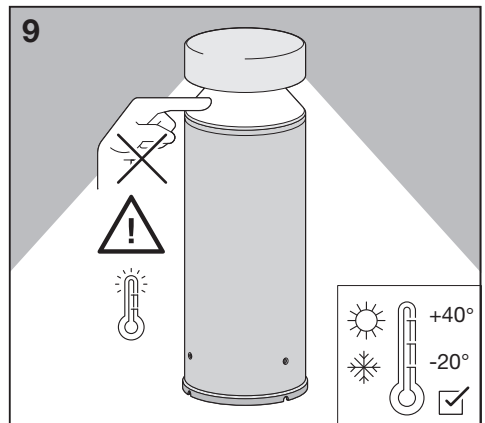
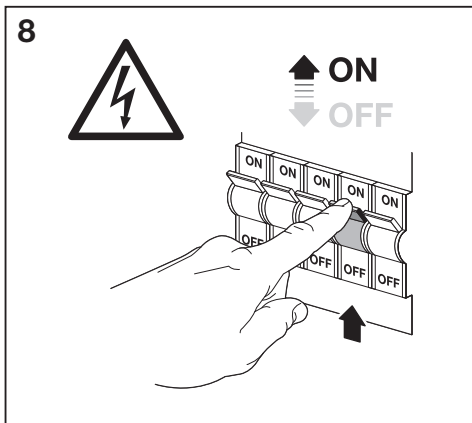
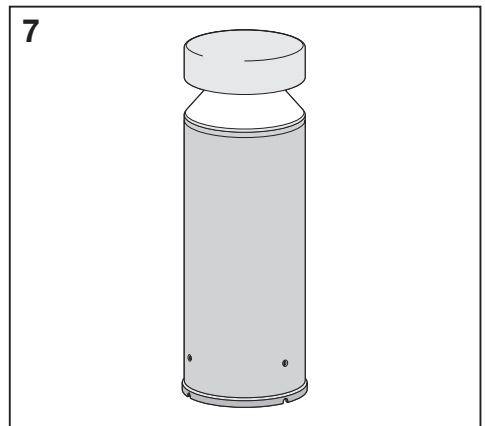
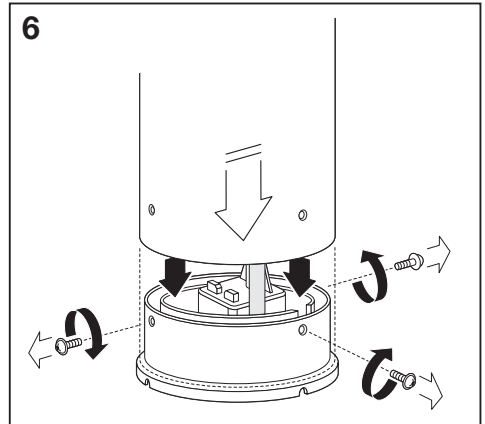
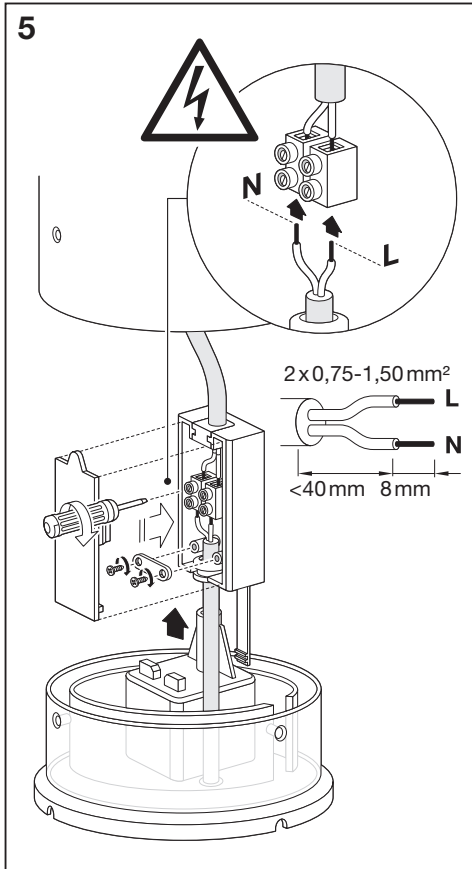
**ENDURA® STYLE**




---

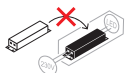


	EAN	W	lm	K	Temp (°C)	V~	mA	Hz	DF
ENDURA STYLE CYLINDER 50 CM 6W ST	4058075205376	6	360	3000	-20...+40	220-240	50	50/60	>0.5
ENDURA STYLE CYLINDER 80 CM 6W ST	4058075205390	6	360	3000	-20...+40	220-240	50	50/60	>0.5





	EAN	This product contains a light source of energy efficiency class	Contained Light Source
ENDURA STYLE CYLINDER 50 CM 6W ST	4058075205376	E	
ENDURA STYLE CYLINDER 80 CM 6W ST	4058075205390	E	



IP44



C10449057  
G11129808  
26.10.2021



LEDVANCE GmbH  
Steinerne Furt 62  
86167 Augsburg, Germany  
[www.ledvance.com](http://www.ledvance.com)