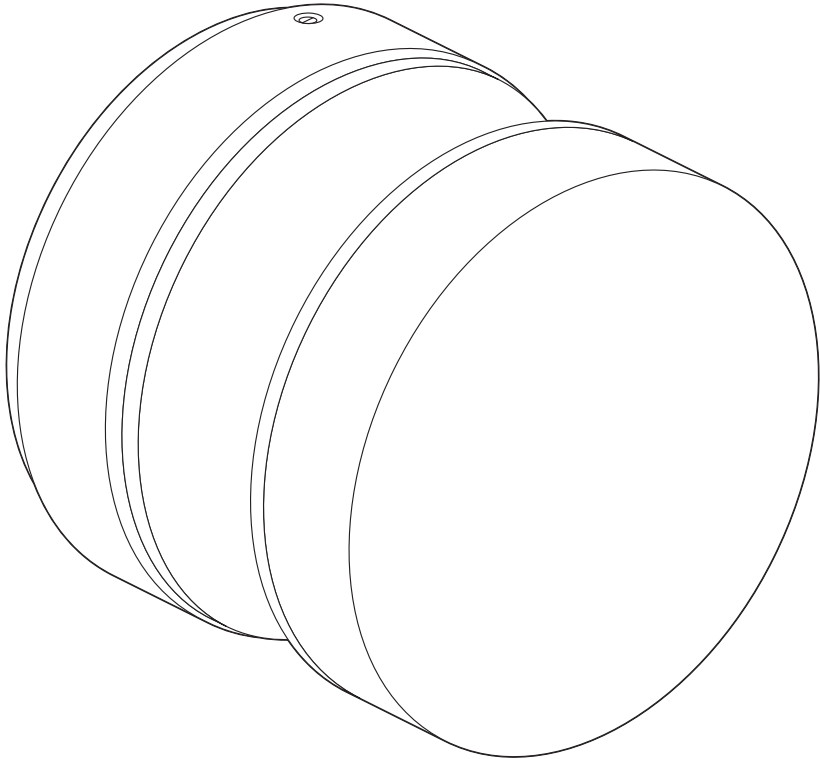


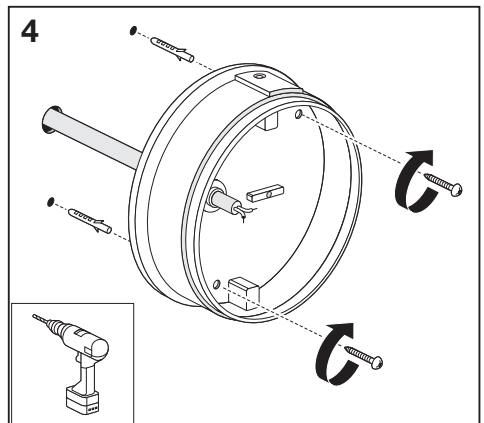
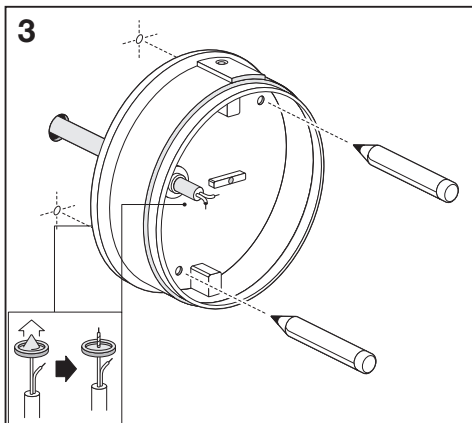
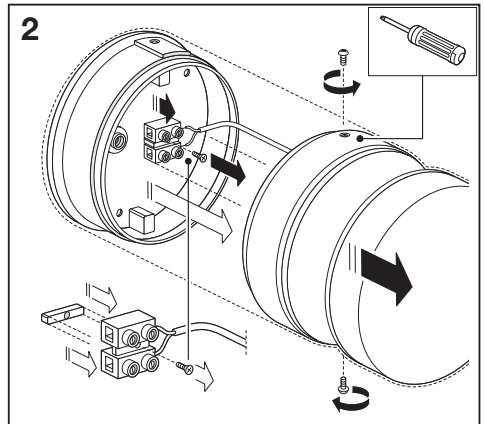
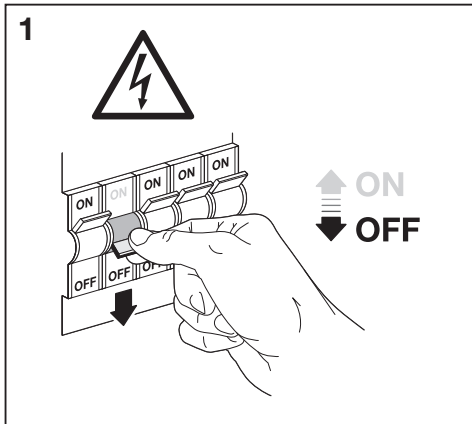
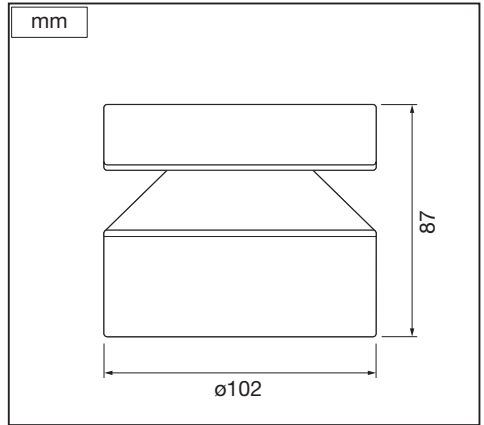
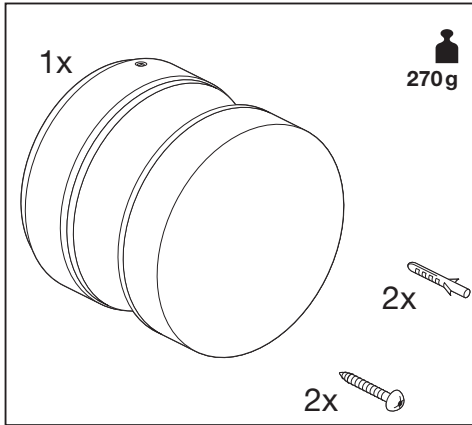
---

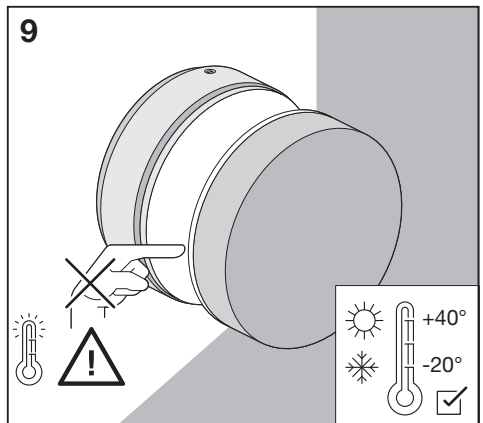
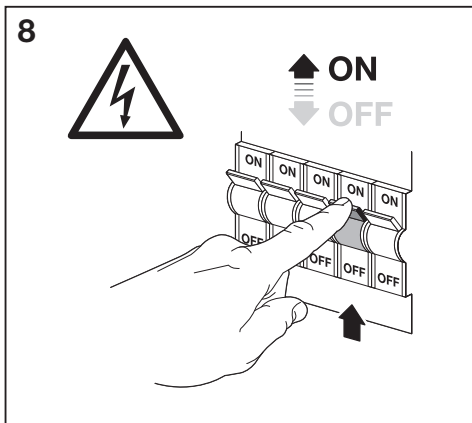
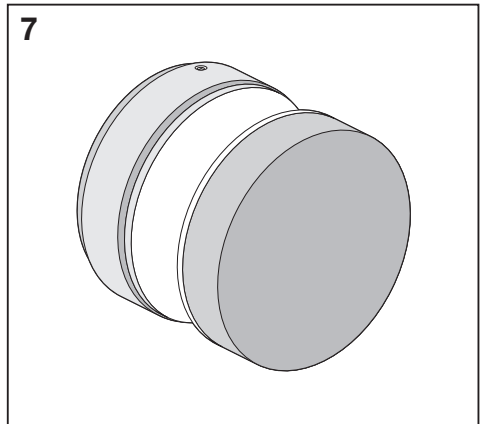
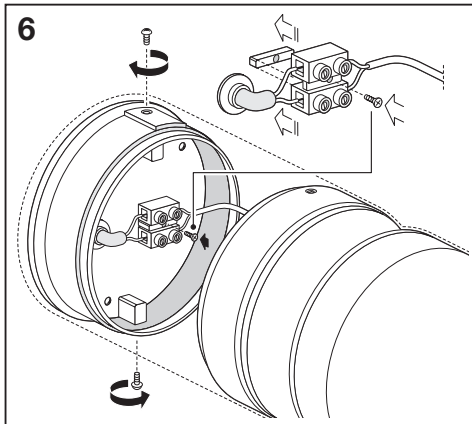
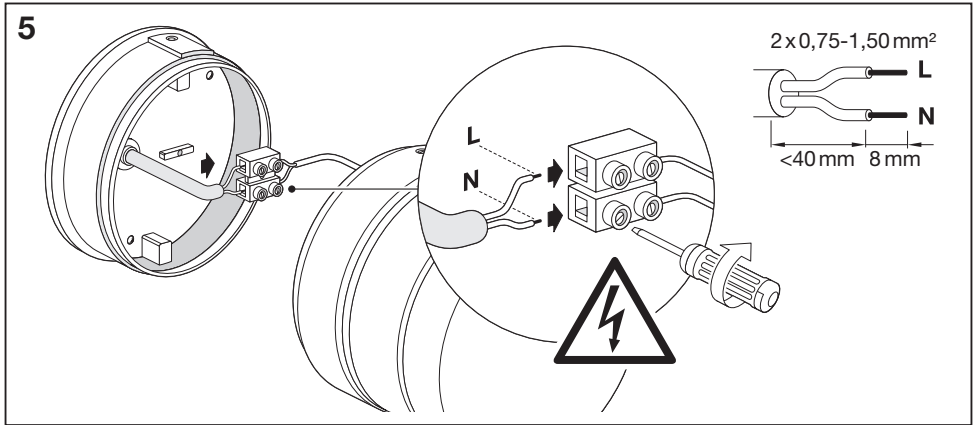
**ENDURA® STYLE**


---



|  | EAN           | W | lm  | K    | 🌡️ (°C)   | V~      | mA | Hz    | DF   |
|--|---------------|---|-----|------|-----------|---------|----|-------|------|
| <b>ENDURA STYLE CYLINDER<br/>CEILING 6W ST</b> | 4058075205413 | 6 | 360 | 3000 | -20...+40 | 220-240 | 50 | 50/60 | >0.5 |





|  | EAN           | This product contains a light source of energy efficiency class | Contained Light Source  |
|--|---------------|---|---|
| ENDURA STYLE CYLINDER<br>CEILING 6W ST | 4058075205413 | E   |  |



C10449057  
G11129809  
26.10.2021



LEDVANCE GmbH  
Steinerne Furt 62  
86167 Augsburg, Germany  
[www.ledvance.com](http://www.ledvance.com)