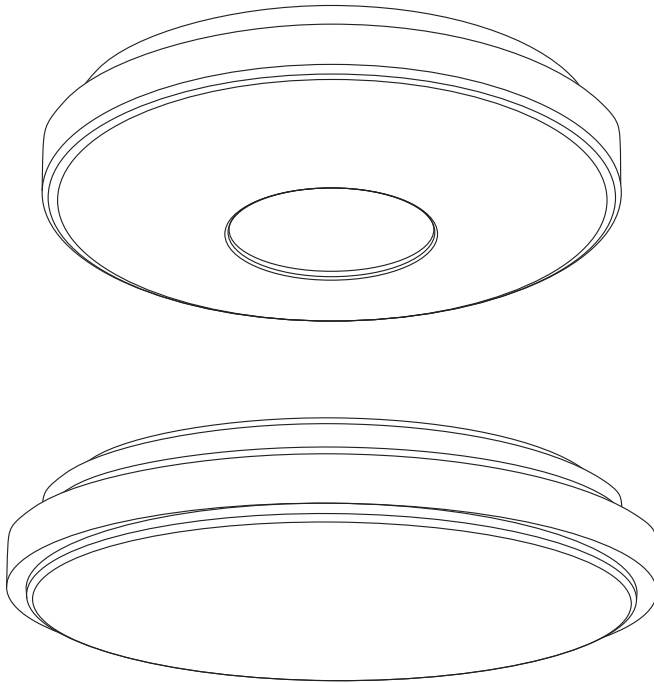
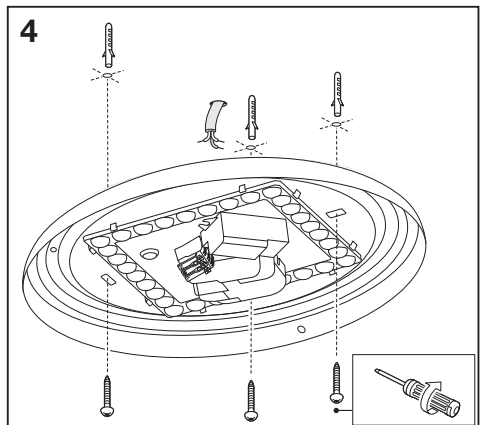
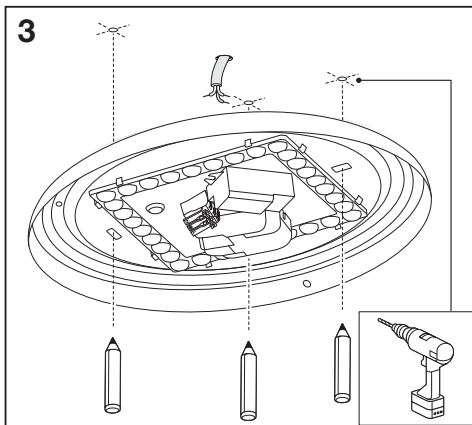
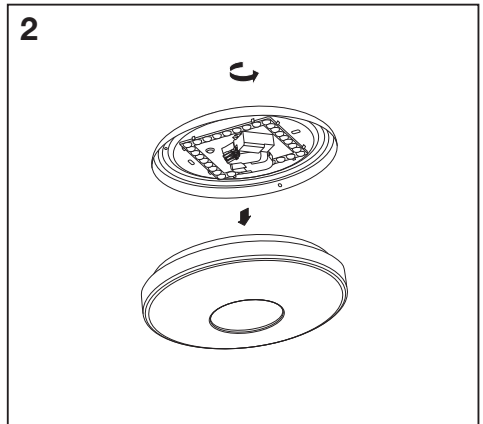
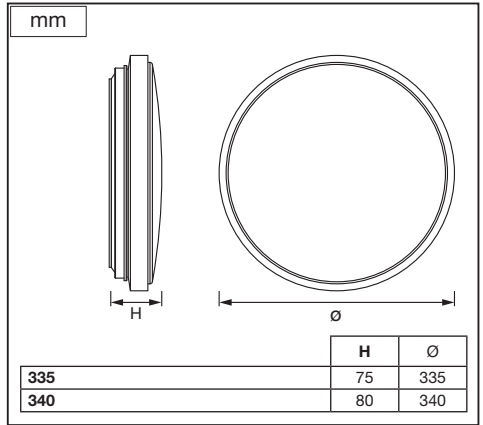
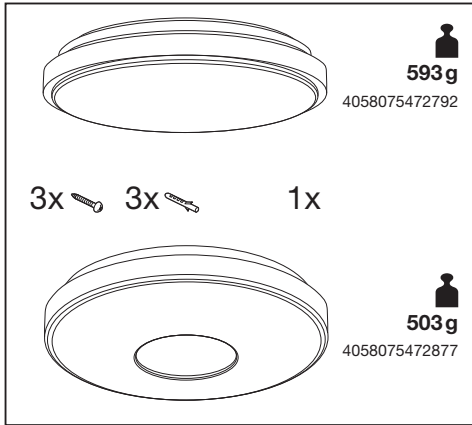
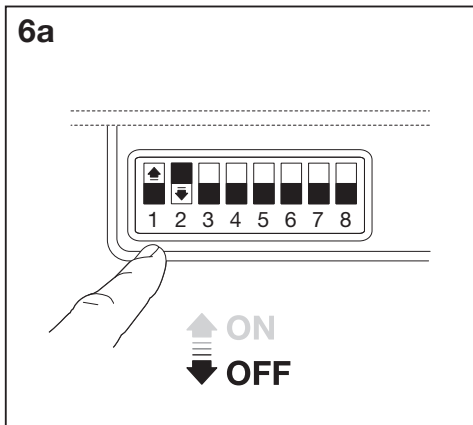
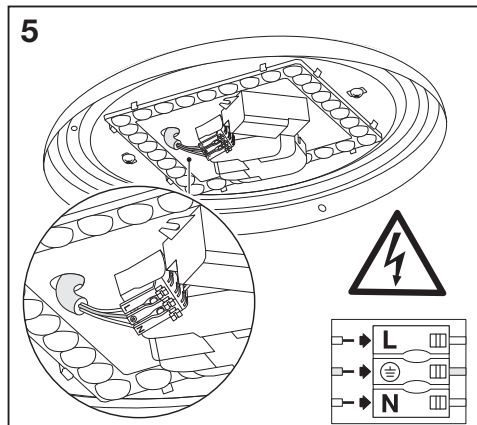

ORBIS

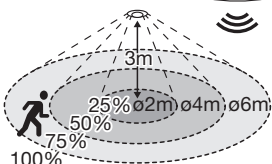


	EAN	W	module lm	output lm	K	Temp (°C)	V~	mA	Hz	PF
ORBIS FRAME 335 RD 24W 830 CLICKSEN	4058075472792	24	2900	1320	3000	-20...+40	220-240	130	50/60	0.7
ORBIS SPARKLEDOT 340 24W 830 CLICKSEN	4058075472877	24	2900	1680	3000	-20...+40	220-240	130	50/60	0.7






6b Detection area




1	2	
ON	ON	100%
ON	-	75%
-	ON	50%
-	-	25%






Hold time



3	4	5	
ON	ON	ON	5s
ON	ON	-	30s
ON	-	ON	1min
ON	-	-	3min
-	ON	ON	5min
-	ON	-	10min
-	-	ON	20min
-	-	-	30min


Daylight sensor



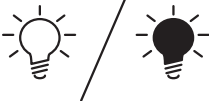

6	7	8	
ON	ON	ON	2Lux 
ON	ON	-	10Lux 
-	ON	-	25Lux 
ON	-	-	50Lux 
-	-	-	Disable 

2 MODE: SENSOR MODE / CONVENTIONAL LIGHT MODE

SENSOR MODE




CONVENTIONAL LIGHT MODE


2X OFF/ON

AUTO CHECKING



Conventional light mode




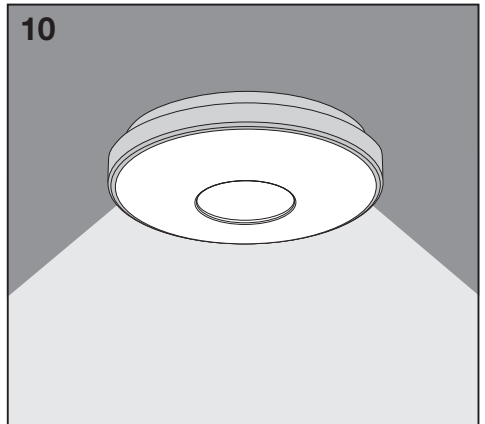
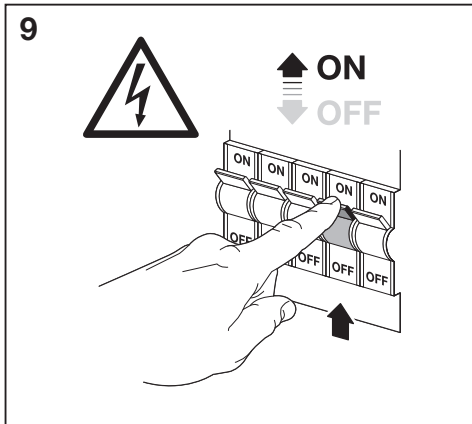
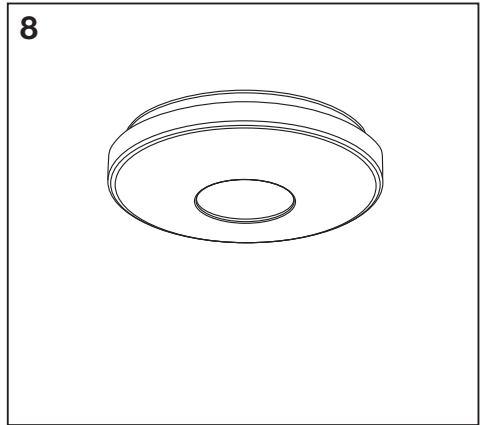
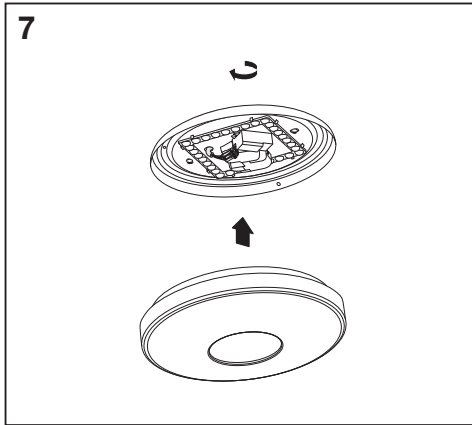
Sensor mode



10 seconds

OK 



	EAN	This product contains a light source of energy efficiency class	Contained Light Source
ORBIS FRAME 335 RD 24W 830 CLICKSEN	4058075472792	E	
ORBIS SPARKLEDOT 340 24W 830 CLICKSEN	4058075472877	E	



C10449057
G11124230
11.08.2021



LEDVANCE GmbH
Steinerne Furt 62
86167 Augsburg, Germany
www.ledvance.com