

1) Sensing surface, 2) Clear zone, 3) Locking screw, 4) Module unit, 5) Mounting base, 6) Cable length, 7) no cable, 8) Power, 9) Tag present



Basic features

Antenna type	round
Approval/Conformity	CE UKCA cULus WEEE
Principle of operation	Read head

Display/Operation

Cable, breakage test	Green LED, flashing
Parity error	Yellow LED, flashes
Power (ON)	Green LED
Tag Present (TP)	LED yellow

Electrical connection

Cable length L	0.5 m
Connection	(RS422/power supply): M12x1- Male, 8-pin
Connection type	Connector, 0.50 m, PU

Electrical data

Current consumption max. at 24 V DC	50 mA
Operating voltage U_b	19.2...26.4 VDC
Residual ripple max.	included

Environmental conditions

Altitude max.	2000 m
Ambient temperature	0...70 °C
Area of operation	Indoor
Contamination scale	2
Continuous shock load	yes
EN 60068-2-27, Shock	yes
EN 60068-2-32 Free fall	yes
EN 60068-2-6, Vibration	yes
IP rating	IP67
Relative humidity	0...90 %, non-condensing
Storage temperature	-20...85 °C

Interface

Interface RS422 (Easy Loop)

Material

Housing material Brass, Interface PBT, nickel-plated
 Housing material, surface protection nickel-plated
 Material jacket PU

Mechanical data

Application weight 170.00 g
 Dimension Ø 12 x 53 mm
 Installation metal-free (clear zone)
 Size M12x1

Remarks

Order code for female with 5m cable: BKS-S116-PU-05

For basic equipment order female with cable.

Use included nuts for installation.

Values are under rated conditions unless otherwise specified.

Order accessories separately.

* Galvanic isolation is recommended for the supply voltage and RS422 interface! Data lines twisted pairs.

For installation in metal: Observe clear zone.

Only together with BIS Z-EL-xxx.

This device is intended to be supplied by a UL-listed or CSA-certified power supply unit with "Class 2" or LPS power source.

The devices must be installed permanently.

1. Determine a suitable mounting position.

2. Fasten the device with suitable mounting material.

The device can be cleaned with a slightly damp cloth.

Regularly check the function of the device and all associated components through visual and functional tests.

- Shut down the device in the event of malfunctions.

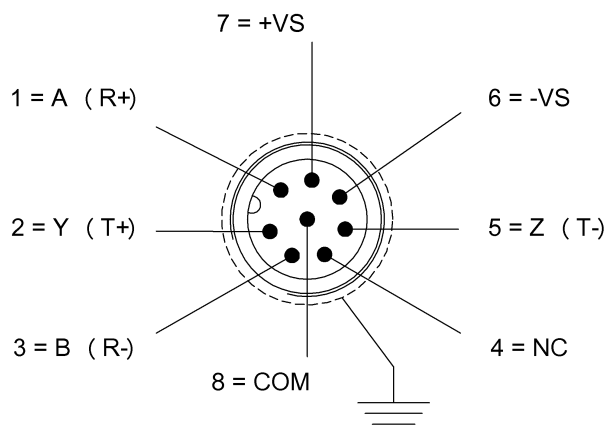
- Secure the system against unauthorized use.

- Check fastening and tighten if necessary.

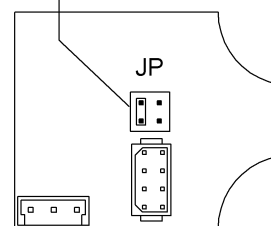
The product is maintenance-free.

Connector Drawings

1)



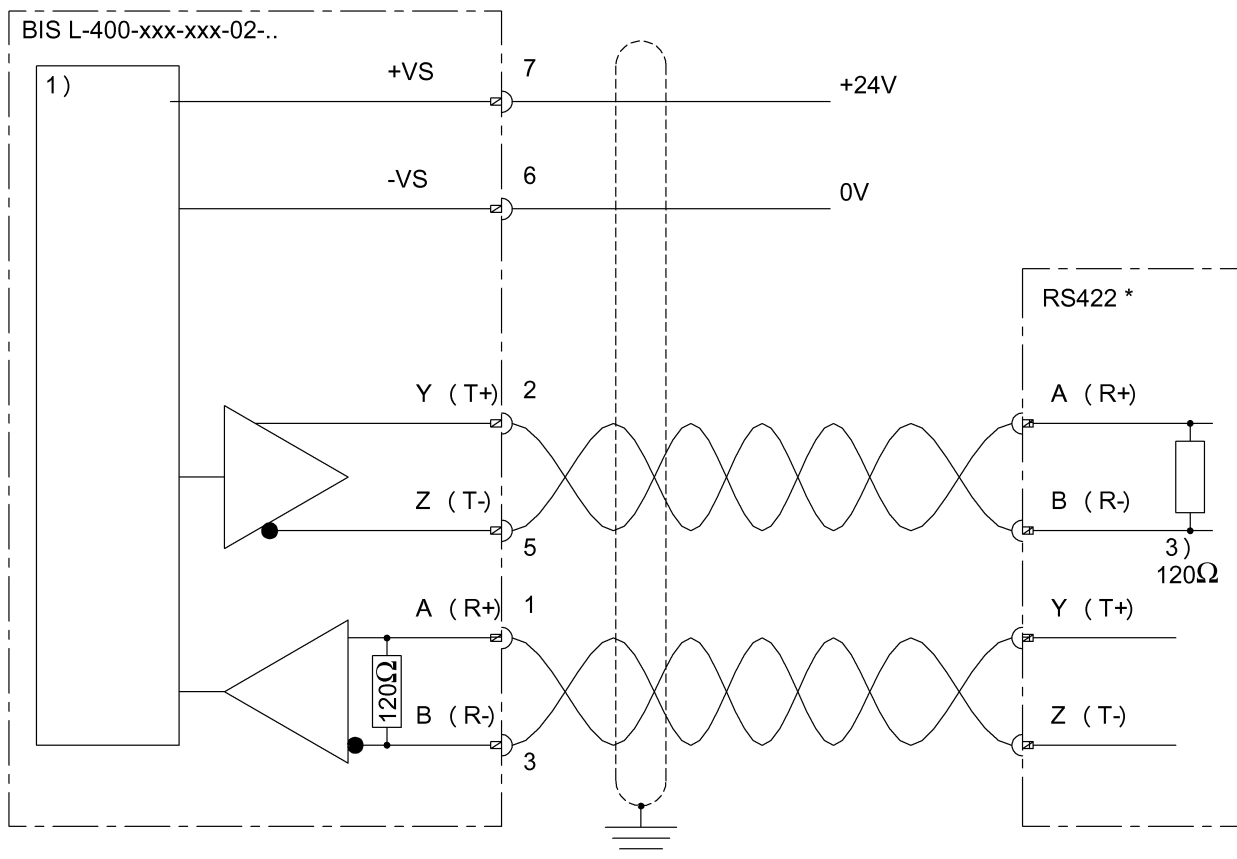
2)



1) Wiring note

2) Do not change position of JP!

Wiring Diagrams



- 1) Internal circuit
- 3) Terminating resistor

Help Views

		BIS L-40x-xxx-003-__				
		BIS L-203-03/L BIS L-103-05/L-RO	metallfrei	non metal	metallfrei	non metal
Read Only						
passende Datenträger Appropriate data carriers						
Schreibabstand in mm Write distance in mm						
Leseabstand in mm Read distance in mm						
Versatz in mm bei Abstand von		0	±6	±6	±4	±2
Offset in mm at distance		3	7	8	10	12
		15	18	20	25	30
		35	40	45	50	55
		60	70			