

1) Sensing surface, 2) Clear zone, 3) Locking screw, 4) Module unit, 5) Mounting base, 6) Power, 7) Tag present, 8) Cable length, 9) no cable



### Basic features

Antenna type	round
Approval/Conformity	CE UKCA cULus WEEE
Principle of operation	Read head

### Display/Operation

Overflow	Yellow LED, flashes
Power (ON)	Green LED
Tag Present (TP)	LED yellow

### Electrical connection

Connection	(RS232/TP OUT): M12x1-Male, 8-pin
------------	-----------------------------------

### Electrical data

Control output	1 PNP
Current consumption max. at 24 V DC	50 mA
Operating voltage $U_b$	19.2...26.4 VDC
Residual ripple max.	included

### Environmental conditions

Altitude max.	2000 m
Ambient temperature	0...70 °C
Area of operation	Indoor
Contamination scale	2
Continuous shock load	yes
EN 60068-2-27, Shock	yes
EN 60068-2-32 Free fall	yes
EN 60068-2-6, Vibration	yes
IP rating	IP67
Relative humidity	0...90 %, non-condensing
Storage temperature	-20...85 °C

LF (125 kHz)  
BIS L-400-035-001-00-S115  
Order Code: BIS00C5

# BALLUFF

## Functional safety

MTTF (40 °C) 15080 a

## Interface

Interface RS232

## Material

Housing material PBT

## Mechanical data

Application weight 170.00 g  
Dimension 40 x 41 x 120 mm  
Installation metal-free (clear zone)

## Remarks

Order code for female with 5m cable: BKS-S116-PU-05

For basic equipment order female with cable.

\* Connection RTS (TP) enables TP display in program BISCOMRW.EXE.

Values are under rated conditions unless otherwise specified.

Order accessories separately.

Sensing face can be steplessly rotated (range 270°) and fixed with set screw

For installation in metal: Observe clear zone.

# OUT TP switches to +24V when there is a data carrier in the zone.

This device is intended to be supplied by a UL-listed or CSA-certified power supply unit with "Class 2" or LPS power source.

The devices must be installed permanently.

1. Determine a suitable mounting position.

2. Fasten the device with suitable mounting material.

The device can be cleaned with a slightly damp cloth.

Regularly check the function of the device and all associated components through visual and functional tests.

- Shut down the device in the event of malfunctions.

- Secure the system against unauthorized use.

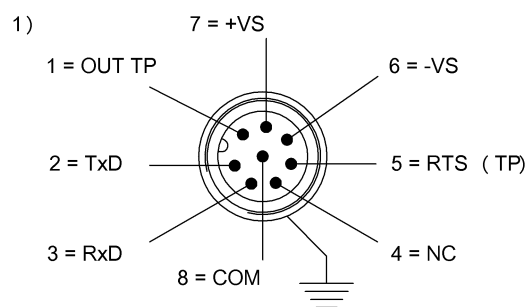
- Check fastening and tighten if necessary.

The product is maintenance-free.

For more information about MTTF and B10d see MTTF / B10d Certificate

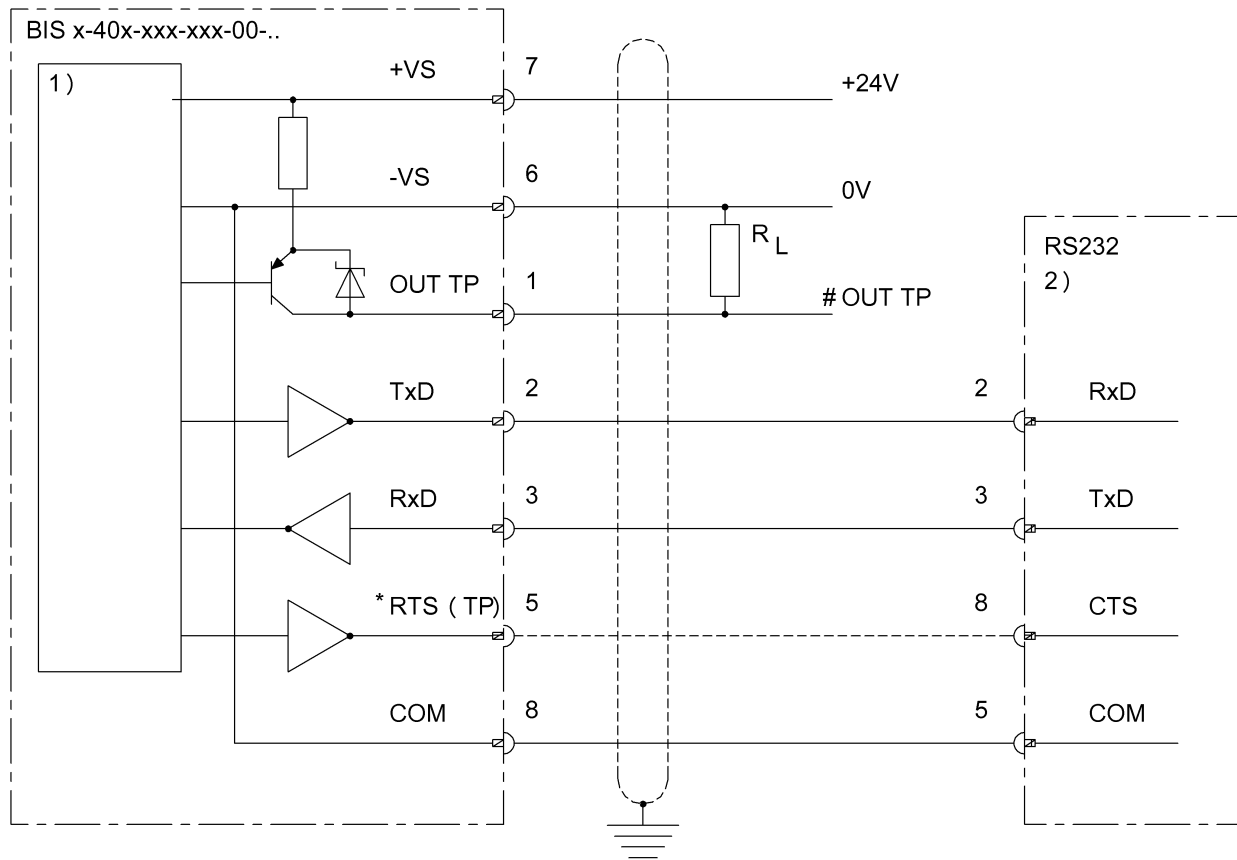
Indication of the MTTF- / B10d value does not represent a binding composition and/or life expectancy assurance; these are simply experiential values with no warranty implications. These declared values also do not extend the expiration period for defect claims or affect it in any way.

## Connector Drawings



1) View towards connector

## Wiring Diagrams



- 1) Internal circuit
- 2) 9-pin connection

## Help Views

## BIS L-40x-xxx-001-\_\_\_

<b>Read Only</b>	BIS L-200-03/L BIS L-100-05L-RO	BIS L-201-03/L BIS L-101-05L-RO	BIS L-202-03/L BIS L-102-05L-RO	BIS L-203-03/L BIS L-103-05L-RO		
passende Datenträger Appropriate data carriers	metallfrei non metal	metallfrei non metal	metallfrei non metal	metallfrei non metal		
Schreibabstand in mm Write distance in mm						
Leseabstand in mm Read distance in mm	0-30	0-40	0-55	0-20		
Versatz in mm bei Abstand von	±15	±20	±30	±10		
	±15	±20	±30	±10		
	±15	±20	±30	±10		
Offset in mm at distance	±15	±20	±30	±10		
	±15	±20	±30	±10		
	±15	±20	±30	±10		
	±15	±20	±30	±10		
	±15	±20	±30	±10		
	±15	±20	±30	±10		
	±15	±20	±30	±10		
	±15	±20	±30	±10		
	±15	±20	±30	±10		
	±15	±20	±30	±10		
	±15	±20	±30	±10		
	±15	±20	±30	±10		
	±15	±20	±30	±10		