

Twilight switch, 230 V, 2 lux – 200 lux, IP54, white

350-10030

4 year warranty

This twilight switch is mounted on an outdoor wall, and at twilight it automatically switches on the outdoor lighting. The light sensitivity can be adjusted to between 2 and 200 lux. The large sensor surface area ensures precise light measurement. The device has an IP54 protection degree and conforms to the European directive for EMC and safety EN 60669-2-1.

Finishing colour: white

- Sustainable
- Functional
- Reliable
- Greater comfort
- Improved burglary protection

Automatic twilight switch for use in driveways, carports, gardens, etc.

- The twilight switch is suitable for controlling outdoor lighting.
- The lighting turns on automatically when the level of daylight drops below the programmed lux value. The lighting turns off automatically when the level of daylight is above the programmed lux value.
- The housing offers enough room for the cabling and thus allows quick, easy installation.



230 V



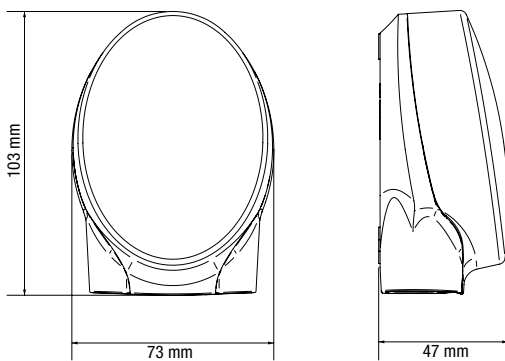
surface
mounting

niko

Technical data

Article number	350-10030
Input voltage	230 Vac \pm 10 %, 50 Hz
Detector output	230 V (ON/OFF)
Maximum MCB rating	10 A (limited by national installation rules)
Relay contact	N.O. (max. 10 A)
Maximum load incandescent and halogen lamps ($\cos\phi=1$)	3000 W
Maximum load economy lamps (CFLi)	350 W
Maximum load LED lamps 230 V	350 W
Maximum capacitive load	140 μ F
Maximum switching current	165 A/20 ms – 800 A/200 μ s
Light intensity range	2 lux – 200 lux
Number of channels	1 channel
Ambient temperature	-50 – +50 °C
Mounting method	surface mounting
Dimensions (HxWxD)	103 x 73 x 47 mm
Protection degree	IP54
Marking	CE

Dimensions



Wiring diagram

