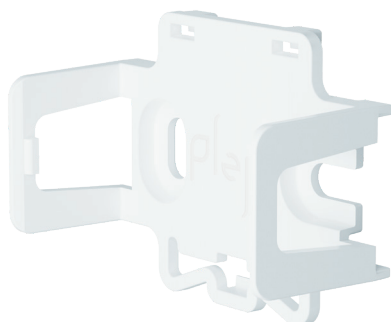


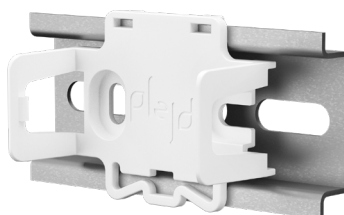
Mounting clip

MNT-01



Mounting clip enables any Plejd puck to be mounted on a DIN rail or a wall.

- Compatible with Plejd pucks (46x46x18 mm).
- Width on DIN rail: 3u.
- The package contains 10 clips.



DIMENSIONS
50x38x24 mm
Width on DIN rail: 3u

PACKAGING
Contains 10 clips.