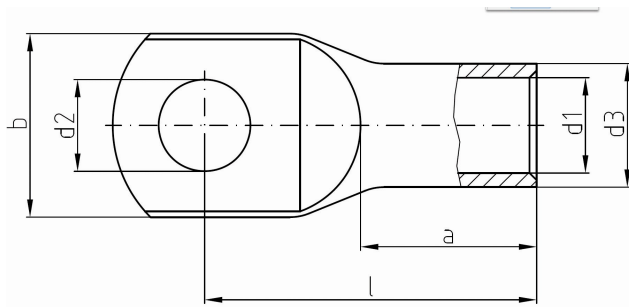


*intercable*

## Datasheet Kabelschoen 16mm<sup>2</sup> M6



|                         |                                  |
|-------------------------|----------------------------------|
| <b>Artikelnummer</b>    | ICR166                           |
| <b>Doorsnede Kabel</b>  | 16                               |
| <b>Gatmaat</b>          | M6                               |
| <b>Aantal Persingen</b> |                                  |
| <b>Materiaal</b>        | CU-HCP 99,95% vlgns DIN EN 13600 |
| <b>Afwerking</b>        | Galvanisch vertind               |
|                         |                                  |

### Maten:

|                |             |
|----------------|-------------|
| <b>D1</b>      | 5.5mm       |
| <b>D3</b>      | 8.5mm       |
| <b>D2</b>      | 6.4mm       |
| <b>B</b>       | 12mm        |
| <b>L</b>       | 26.5mm      |
| <b>A</b>       | 13mm        |
| <b>Gewicht</b> | 0.96 kg/100 |
|                |             |