



Actuator head for position switch 3SE51/52 Roller lever, Form E, with Metal lever and Plastic roller 13 mm according to EN 50047

product brand name	SIRIUS
product designation	actuator head for position switch
product type designation	3SE5
manufacturer's article number	3SE5000-0AE10
<ul style="list-style-type: none"> of the supplied actuator head for position switches 	
General technical data	
product function positive opening	Yes
shock resistance	
<ul style="list-style-type: none"> according to IEC 60068-2-27 	30g / 11 ms
vibration resistance	
<ul style="list-style-type: none"> according to IEC 60068-2-6 	0.35 mm/5g
mechanical service life (switching cycles) typical	15 000 000
material of the enclosure of the switch head	plastic
reference code according to IEC 81346-2	T
active principle	mechanical
Substance Prohibitance (Date)	07/01/2006
minimum actuating force in directions of actuation	10 N
Ambient conditions	
ambient temperature	
<ul style="list-style-type: none"> during operation 	-25 ... +85 °C
<ul style="list-style-type: none"> during storage 	-40 ... +90 °C
explosion protection category for dust	none
Enclosure	
coating of the enclosure	Other types
Drive Head	
design of the actuating element	Roller lever, metal lever, plastic roller
standard-compliant actuator head	EN 50047, design E
shape of the switch head	roller
outer diameter of the switch head	13 mm
Installation/ mounting/ dimensions	
mounting position	any
fastening method	lockable plug-in fixing
design of the interface for safety-related communication	without
Communication/ Protocol	
design of the interface	without
Certificates/ approvals	
General Product Approval	Declaration of Conformity



[Confirmation](#)



EG-Konf.

Declaration of Conformity	Test Certificates	other
---------------------------	-------------------	-------



[Type Test Certificates/Test Report](#)

[Confirmation](#)

Further information

Information- and Downloadcenter (Catalogs, Brochures,...)

<https://www.siemens.com/ic10>

Industry Mall (Online ordering system)

<https://mall.industry.siemens.com/mall/en/en/Catalog/product?mlfb=3SE5000-0AE10>

Cax online generator

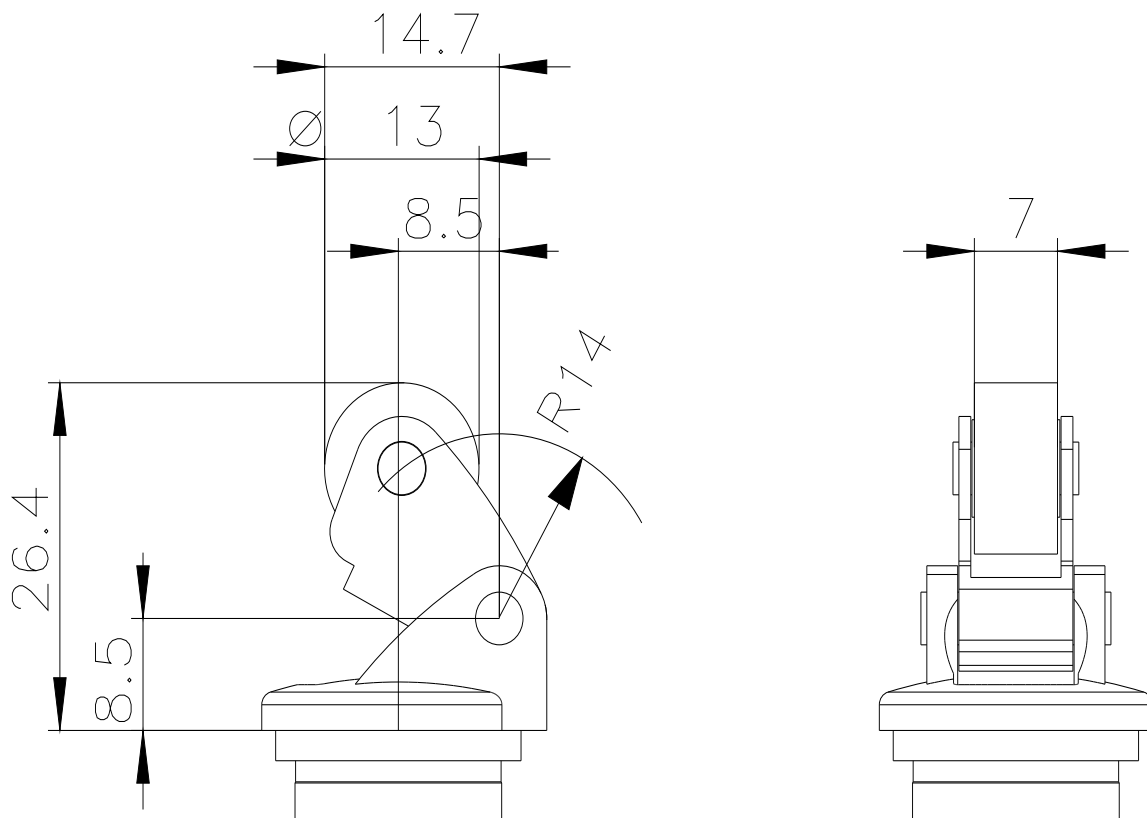
<http://support.automation.siemens.com/WW/CAXorder/default.aspx?lang=en&mlfb=3SE5000-0AE10>

Service&Support (Manuals, Certificates, Characteristics, FAQs,...)

<https://support.industry.siemens.com/cs/ww/en/ps/3SE5000-0AE10>

Image database (product images, 2D dimension drawings, 3D models, device circuit diagrams, EPLAN macros, ...)

http://www.automation.siemens.com/bilddb/cax_de.aspx?mlfb=3SE5000-0AE10&lang=en



last modified:

12/21/2020