



Figure similar

Molded-plastic enclosure for surface mounting Degree of protection IP55 with N and PE terminal Can be locked in O position 72 mm with metric cable gland No UL/CSA approval


General technical data

product designation		ISO surface-mounted housing
design of the product		Assembly
material of the enclosure		plastic
protection class IP of the enclosure		IP55
product component transparent cover		No




Installation/ mounting/ dimensions

width	mm	105
height	mm	155
depth	mm	126

Certificates/ approvals

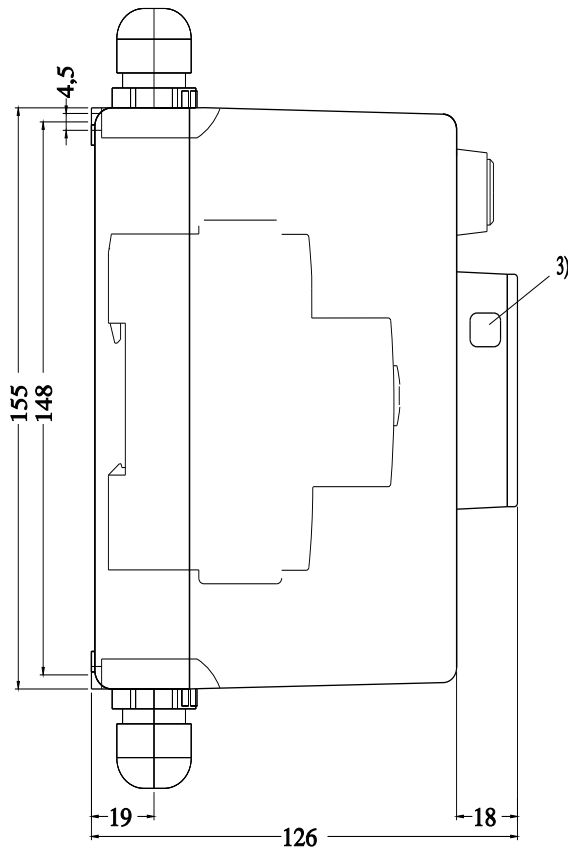
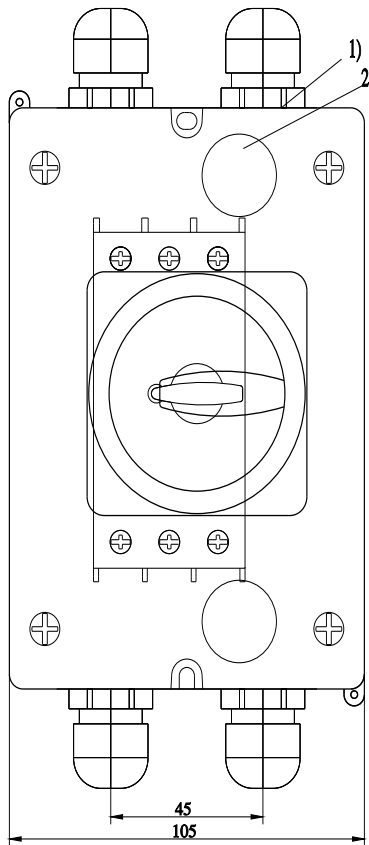
General Product Approval	Declaration of Conformity	Test Certificates
Confirmation	  	Type Test Certificates/Test Report Special Test Certificate

Marine / Shipping other Railway

 	Confirmation	Miscellaneous		Special Test Certificate
---	------------------------------	-------------------------------	---	--

Further information

Information- and Downloadcenter (Catalogs, Brochures,...)
<https://www.siemens.com/ic10>
 Industry Mall (Online ordering system)
<https://mall.industry.siemens.com/mall/en/en/Catalog/product?mlfb=3RV1923-1DA00>
 Cax online generator
<http://support.automation.siemens.com/WW/CAXorder/default.aspx?lang=en&mlfb=3RV1923-1DA00>
 Service&Support (Manuals, Certificates, Characteristics, FAQs,...)
<https://support.industry.siemens.com/cs/ww/en/ps/3RV1923-1DA00>
 Image database (product images, 2D dimension drawings, 3D models, device circuit diagrams, EPLAN macros, ...)
http://www.automation.siemens.com/bilddb/cax_de.aspx?mlfb=3RV1923-1DA00&lang=en



- 1) Ausbrechoeffnung fuer Verschraubung M25
- 2) Ausbrechoeffnung fuer ruckseitige Leitungseinfuehrung
- 3) Oeffnung fuer Vorhaenges Schloss mit Buegeldurchmesser max. 8 mm

last modified:

12/23/2020 