



SENTRON, Fuse switch disconnecter 3NP1, 3-pole, NH000, 160 A, for assembly and installation on Mounting plate, box terminal, Cover level 45 mm

Model	
product designation	3NP1 fuse switch disconnecter
design of the safety monitoring	Without
design of the load switch strip form	No
type of the driving mechanism motor drive	No
General technical data	
number of poles	3
type of device	For assembly and installation on mounting plate
size of disconnecting link	000
size of fuse link	NH000
let-through current with closed switch maximum	15 kA
mechanical service life (operating cycles) typical	2 000
I ² t value with closed switch maximum	223 kA ² .s
power factor	
• at AC-22 B	0.65
• at AC-23 B	0.45
• with capacitive load	-0.25
fuse system	LV HRC fuse
degree of pollution	3
Voltage	
insulation voltage	
• rated value	690 V
• with degree of pollution 3 at AC rated value	690 V
• with degree of pollution 2 at AC rated value	1 000 V
power factor at AC-21 B	0.95
surge voltage resistance rated value	8 kV
operating voltage	
• at AC rated value maximum	690 V
• at DC rated value	440 V
• at DC rated value maximum	440 V
Protection class	
protection class IP	
• with closed switch with cover or cable lug cover	IP40
• with closed switch without cover or cable lug cover	IP30
• open	IP20
Dissipation	
power loss [W]	
• with conventional rated thermal current without fuse per pole	5 W
• with conventional rated thermal current without fuse per device	15 W

<ul style="list-style-type: none"> • for rated value of the current at AC in hot operating state per pole 	14 W
<ul style="list-style-type: none"> • of the fuse per fuse maximum 	9 W
operational current	
<ul style="list-style-type: none"> • at 35 °C rated value 	160 A
<ul style="list-style-type: none"> • at 40 °C rated value 	150 A
<ul style="list-style-type: none"> • at 45 °C rated value 	140 A
<ul style="list-style-type: none"> • at 50 °C rated value 	130 A
<ul style="list-style-type: none"> • at 55 °C rated value 	120 A
<ul style="list-style-type: none"> • at AC-21 B at 240 V rated value 	160 A
<ul style="list-style-type: none"> • at AC-21 B at 400 V rated value 	160 A
<ul style="list-style-type: none"> • at AC-21 B at 500 V rated value 	160 A
<ul style="list-style-type: none"> • at AC-21 B at 690 V rated value 	160 A
<ul style="list-style-type: none"> • at AC-22 B at 240 V rated value 	160 A
<ul style="list-style-type: none"> • at AC-22 B at 400 V rated value 	160 A
<ul style="list-style-type: none"> • at AC-22 B at 500 V rated value 	125 A
<ul style="list-style-type: none"> • at AC-22 B at 690 V rated value 	50 A
<ul style="list-style-type: none"> • at AC-23 B at 690 V rated value 	25 A
<ul style="list-style-type: none"> • at AC-23 B at 500 V rated value 	40 A
<ul style="list-style-type: none"> • at AC-23 B at 400 V rated value 	160 A
<ul style="list-style-type: none"> • at AC-23 B at 240 V rated value 	160 A
<ul style="list-style-type: none"> • at DC-21 B at 120 V rated value 	160 A
<ul style="list-style-type: none"> • at DC-21 B at 240 V rated value 	160 A
<ul style="list-style-type: none"> • at DC-21 B at 440 V rated value 	100 A
<ul style="list-style-type: none"> • at DC-22 B at 120 V rated value 	100 A
<ul style="list-style-type: none"> • at DC-22 B at 240 V rated value 	100 A
<ul style="list-style-type: none"> • at DC-22 B at 440 V rated value 	50 A
<ul style="list-style-type: none"> • at DC-23 B at 120 V rated value 	80 A
<ul style="list-style-type: none"> • at DC-23 B at 240 V rated value 	80 A
<ul style="list-style-type: none"> • at DC-23 B at 440 V rated value 	25 A
let-through current with high-speed activation maximum permissible	10 kA
Main circuit	
operational current	
<ul style="list-style-type: none"> • rated value 	125 A
<ul style="list-style-type: none"> • with capacitive load at 400 V rated value 	72 A
<ul style="list-style-type: none"> • with capacitive load at 500 V rated value 	55 A
Auxiliary circuit	
number of CO contacts for auxiliary contacts	0
number of NC contacts for auxiliary contacts	0
number of NO contacts for auxiliary contacts	0
Suitability	
suitability for use	
<ul style="list-style-type: none"> • main switch 	No
<ul style="list-style-type: none"> • switch disconnecter 	Yes
<ul style="list-style-type: none"> • EMERGENCY OFF switch 	No
<ul style="list-style-type: none"> • safety switch 	Yes
<ul style="list-style-type: none"> • maintenance/repair switch 	Yes
Product details	
product component	
<ul style="list-style-type: none"> • undervoltage release 	No
<ul style="list-style-type: none"> • undervoltage release with leading contact 	No
product feature sealable	Yes
product extension auxiliary switch	Yes
product extension optional	
<ul style="list-style-type: none"> • locking capability 	Yes
<ul style="list-style-type: none"> • phase failure monitoring 	Yes
<ul style="list-style-type: none"> • fuse monitoring 	Yes
<ul style="list-style-type: none"> • voltage trigger 	No
<ul style="list-style-type: none"> • overvoltage protection monitoring 	Yes
Product function	

product function overvoltage protection monitoring	No
Connections	
arrangement of electrical connectors for main current circuit	other
connectable conductor cross-section for main contacts	
• solid or stranded minimum	1.5 mm ²
• solid or stranded maximum	50 mm ²
• finely stranded with core end processing minimum	1.5 mm ²
• finely stranded with core end processing maximum	35 mm ²
• stranded minimum	1.5 mm ²
• stranded maximum	50 mm ²
tightening torque with screw-type terminals	
• minimum	3.5 N·m
• maximum	4 N·m
type of connectable conductor cross-sections of the laminated conductors maximum	8 x 8 mm
type of connection technology	Box terminal

Mechanical Design	
height	141.7 mm
width	88.8 mm
depth	74.1 mm
fastening method	mounting plate
fastening method	
• floor mounting	Yes
• rail mounting	No
mounting position	horizontal/vertical
net weight	0.47 kg

Environmental conditions	
ambient temperature during operation	
• minimum	-25 °C
• maximum	55 °C
ambient temperature during storage	
• minimum	-50 °C
• maximum	80 °C

Certificates	
reference code according to IEC 81346-2	Q

General Product Approval



[Confirmation](#)



[Miscellaneous](#)



Declaration of Conformity

Test Certificates

Marine / Shipping



[Special Test Certificate](#)

[Type Test Certificates/Test Report](#)



other

Environment

[Confirmation](#)

[Miscellaneous](#)

[Environmental Confirmations](#)

Further information

Siemens has decided to exit the Russian market (see here).
<https://press.siemens.com/global/en/pressrelease/siemens-wind-down-russian-business>

Siemens is working on the renewal of the current EAC certificates.

Please contact your local Siemens office on the status of validity of the EAC certification if you intend to import or offer to supply these products to an

EAC relevant market (other than the sanctioned EAEU member states Russia or Belarus).

Information on the packaging

<https://support.industry.siemens.com/cs/ww/en/view/109813875>

Information- and Downloadcenter (Catalogs, Brochures,...)

<http://www.siemens.com/lowvoltage/catalogs>

Industry Mall (Online ordering system)

<http://mall.industry.siemens.com/mall/en/en/Catalog/product?mlfb=3NP1123-1CA20>

Service&Support (Manuals, Certificates, Characteristics, FAQs,...)

<https://support.industry.siemens.com/cs/ww/en/ps/3NP1123-1CA20>

Image database (product images, 2D dimension drawings, 3D models, device circuit diagrams, ...)

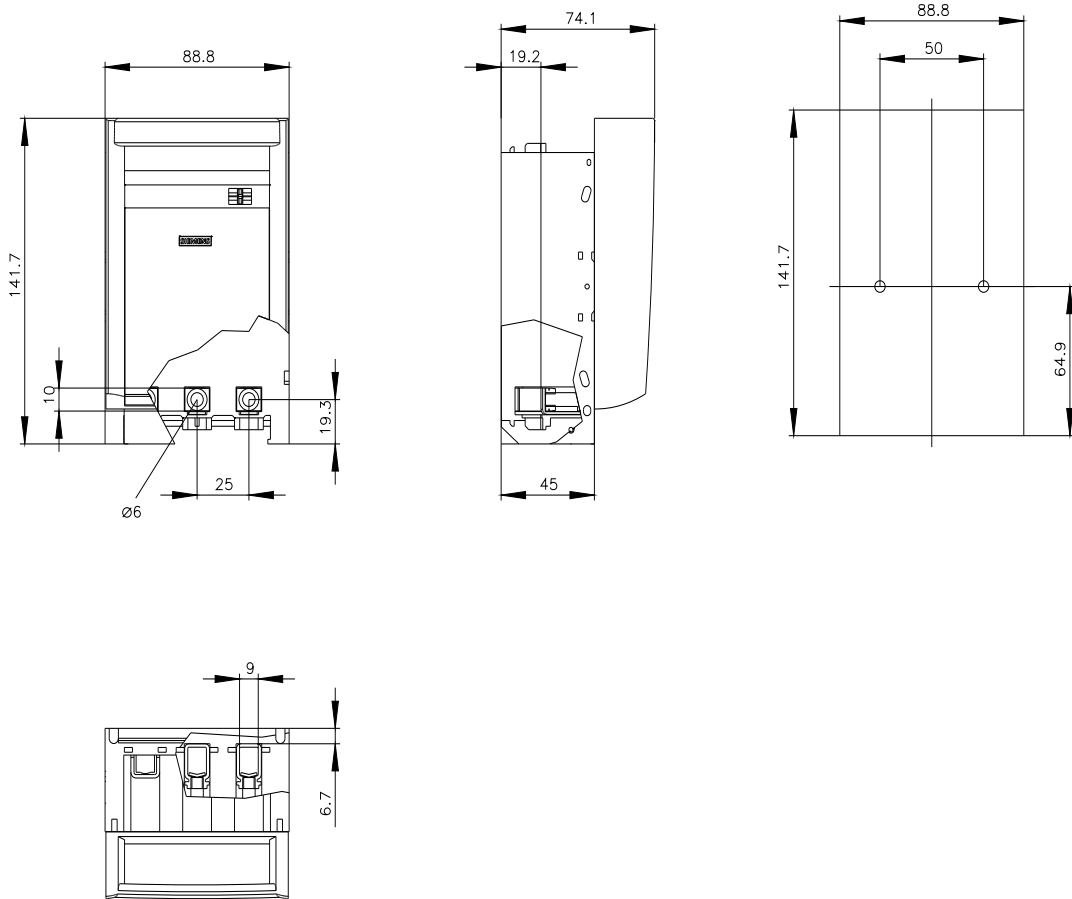
http://www.automation.siemens.com/bilddb/cax_en.aspx?mlfb=3NP1123-1CA20

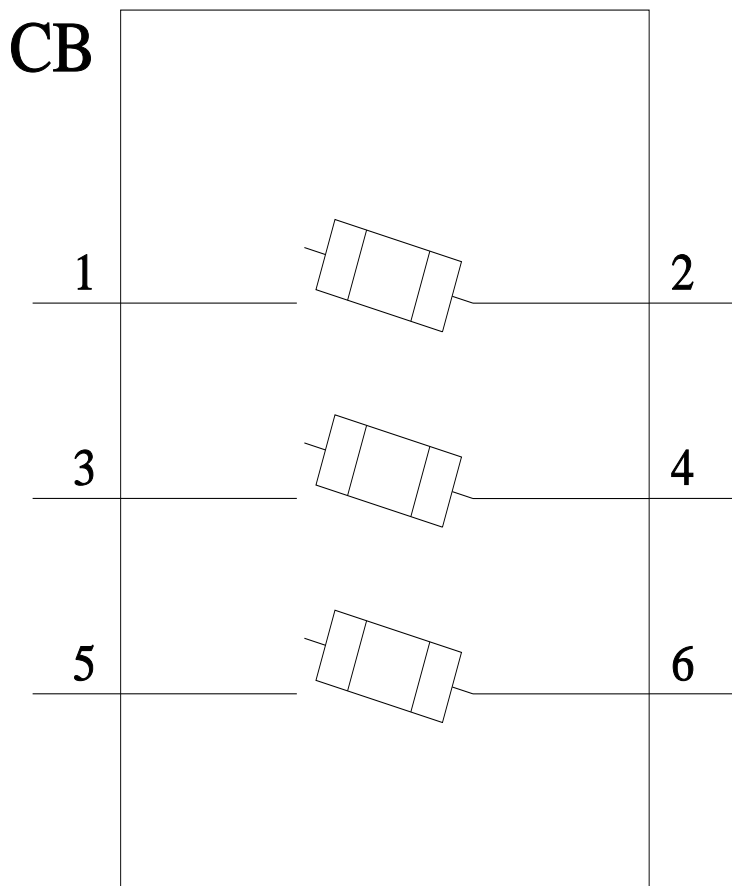
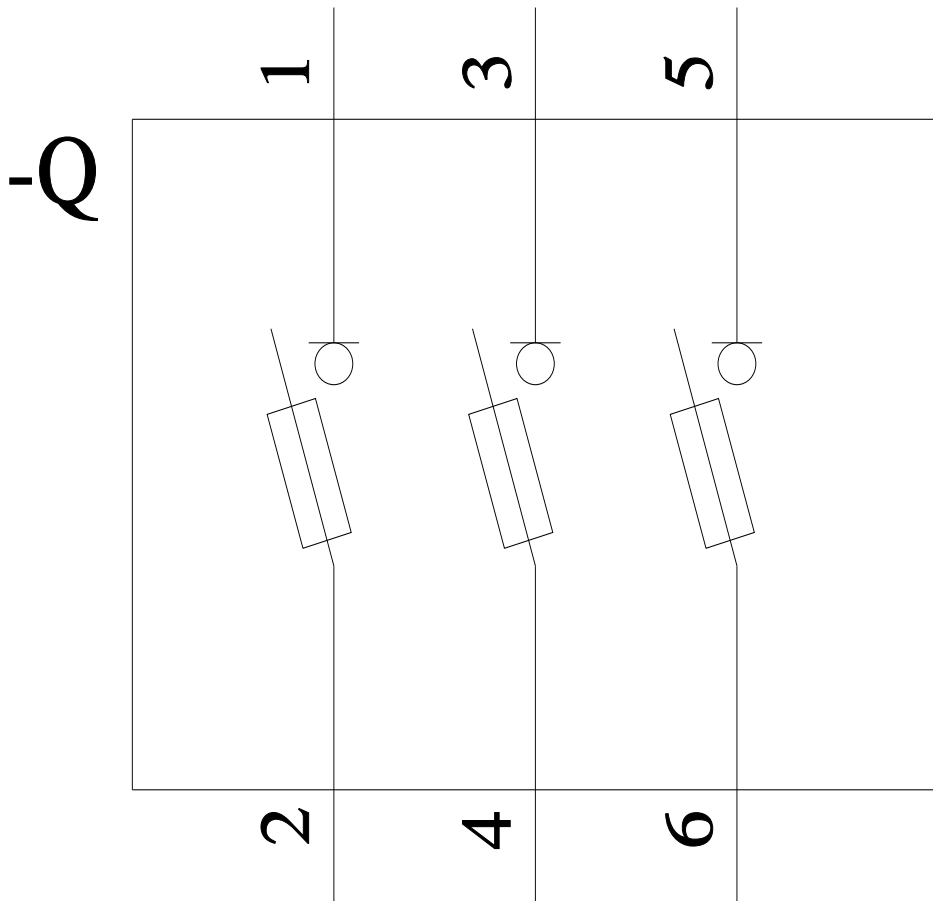
CAX-Online-Generator

<http://www.siemens.com/cax>

Tender specifications

<http://www.siemens.com/specifications>





last modified:

8/26/2022 

