



LV HRC fuse element, NH3, In: 500 A, gG, Un AC: 500 V, Un DC: 440 V, Front indicator, live grip lugs

Model	
product brand name	SETRON
product designation	LV HRC fuse link
design of the product	With blade contacts
design of an identification indicator	Front indicators
design of the switching contact	Non-corroding, silver-plated
design of the fuse link	LV HRC fuse link
General technical data	
size of fuse system according to EN 60269-1	NH3
operating class of the fuse link	gG
mounting type	non-insulated grip lugs
type of voltage of the operating voltage	AC/DC
supply voltage	
• at AC rated value	500 V
• at DC	440 V
Protection class	
protection class IP	IP20, with connected conductors
Breaking Capacity	
breaking capacity	
• at AC according to IEC 60269 rated value	120 kA
• at DC with time constant $\leq 10$ ms according to IEC 60269 rated value	25 kA
Dissipation	
power loss [W]	36.5 W
power loss [W] for rated value of the current at AC in hot operating state per pole	36.5 W
Mechanical Design	
width of the enclosure	71.2 mm
mounting position	Any, preferably vertical
net weight	966 g
Environmental conditions	
ambient temperature during operation	
• minimum	-5 °C
• maximum	40 °C
environmental category	-20 to +50 at 95% relative humidity
environmental category during storage	90% at 20°C
Certificates	
reference code according to IEC 81346-2	FC
Approvals Certificates	
General Product Approval	



[Confirmation](#)



Test Certificates	Marine / Shipping	other			Environment
-------------------	-------------------	-------	--	--	-------------

[Special Test Certificate](#)



[Confirmation](#)

[Miscellaneous](#)

[Miscellaneous](#)

[Environmental Confirmations](#)

### Further information

Siemens has decided to exit the Russian market (see here).

<https://press.siemens.com/global/en/pressrelease/siemens-wind-down-russian-business>

Siemens is working on the renewal of the current EAC certificates.

Please contact your local Siemens office on the status of validity of the EAC certification if you intend to import or offer to supply these products to an EAC relevant market (other than the sanctioned EAEU member states Russia or Belarus).

Information on the packaging

<https://support.industry.siemens.com/cs/ww/en/view/109813875>

Information- and Downloadcenter (Catalogs, Brochures,...)

<http://www.siemens.com/lowvoltage/catalogs>

Industry Mall (Online ordering system)

<https://mall.industry.siemens.com/mall/en/en/Catalog/product?mlfb=3NA3365>

Service&Support (Manuals, Certificates, Characteristics, FAQs,...)

<https://support.industry.siemens.com/cs/ww/en/ps/3NA3365>

Image database (product images, 2D dimension drawings, 3D models, device circuit diagrams, ...)

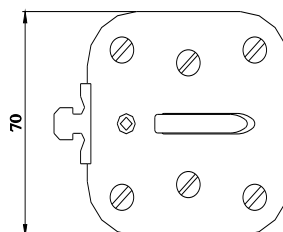
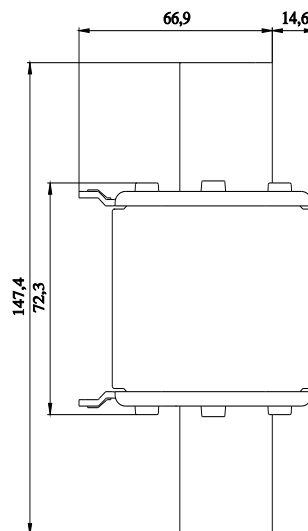
[http://www.automation.siemens.com/bilddb/cax\\_en.aspx?mlfb=3NA3365](http://www.automation.siemens.com/bilddb/cax_en.aspx?mlfb=3NA3365)

CAX-Online-Generator

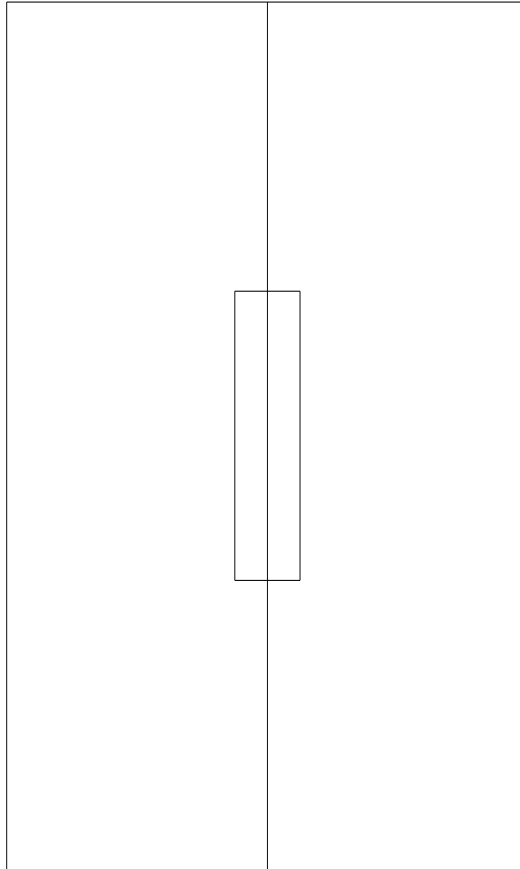
<http://www.siemens.com/cax>

Tender specifications

<http://www.siemens.com/specifications>



**-F**



**FU**

