



SIMATIC S7-1200, CM 1243-2 communication module AS-Interface master according to AS-i specification V3.0

General technical data		
product designation		AS-Interface Master
product type designation		CM 1243-2
protection class IP		IP20
type of electrical connection of the AS-Interface		Screw-type connection
type of voltage supply		via backplane bus
consumed current		
<ul style="list-style-type: none"> from profile conductors of the AS-Interface <ul style="list-style-type: none"> — at 30 V maximum 	mA	100
<ul style="list-style-type: none"> from backplane bus maximum 	mA	250
power loss [W]	W	2.9
insulation voltage rated value	V	500
product feature redundancy capability		No
product function suitable for AS-i Power24V		Yes
<ul style="list-style-type: none"> note 		All product versions
product function		
<ul style="list-style-type: none"> web-based management 		No
<ul style="list-style-type: none"> diagnostics via email 		No
<ul style="list-style-type: none"> galvanic isolation 		Yes
display version		
<ul style="list-style-type: none"> as status display by LED 		AS-i, PF, CM, CER, DIAG
type of configuration of the AS-Interface		With STEP7, command interface
Communication/ Protocol		
version of the AS-Interface specification		V 3.0
AS-Interface master profile is supported		M4 (in acc. with AS-interface specification V 3.0)
type of data transmission		S7-1200 backplane bus
number of units per CPU maximum		3
number of units per CPU maximum note		Max. 3 communication modules in total (CM /CP)
number of interfaces		
<ul style="list-style-type: none"> as AS-Interface 		1
<ul style="list-style-type: none"> according to RS 485 		0
<ul style="list-style-type: none"> according to Industrial Ethernet 		0
<ul style="list-style-type: none"> according to PROFINET 		0
<ul style="list-style-type: none"> according to wireless 		0
<ul style="list-style-type: none"> according to USB 		0
<ul style="list-style-type: none"> other 		0
product component optical interface		No
protocol is supported		
<ul style="list-style-type: none"> ASIsafe (Safety at work) protocol 		No
<ul style="list-style-type: none"> PROFIsafe protocol 		No

• PROFIBUS protocol		No
• PROFINET IO protocol		No
• PROFINET CBA protocol		No
• TCP/IP		No
• SNMP		No
standard for wireless communication IEEE 802.11		No

Inputs/ Outputs		
number of inputs for AS-Interface maximum		496
number of outputs for AS-Interface maximum		496
number of AS-i slaves per AS-Interface maximum		62
bus cycle time of the AS-Interface		
• for 31 slaves	ms	5
• for 62 slaves	ms	10
access to digital I/O data		via process image/peripheral addresses
access to analog I/O data		via process diagram/peripheral addresses and data record transfer

Mechanical data		
width	mm	30
height	mm	100
depth	mm	75
fastening method		snap-on fastening on 35 mm DIN rail
module format		S7-1200 design

Ambient conditions		
ambient temperature		
• if installed on horizontal mounting rail during operation	°C	0 ... 55
• if installed on vertical mounting rail during operation	°C	0 ... 45
• during transport	°C	-40 ... +70
• during storage	°C	-40 ... +70
relative humidity at 25 °C during operation maximum	%	95
installation altitude at height above sea level maximum	m	2 000

Safety related data		
suitability for use safety-related function		No
explosion protection marking for intrinsic safety of related equipment		
• EEx ia		No
• EEx ib		No
explosion protection category for gas		II 3 G Ex ec IIC T4 Gc
explosion protection category for dust		none

Certificates/ approvals	
General Product Approval	EMV



[Confirmation](#)

[FM](#)



For use in hazardous locations					Test Certificates
--------------------------------	--	--	--	--	-------------------



[other ex-certificates](#)



[Special Test Certificate](#)

Marine / Shipping	other	Environment	Industrial Communication
-------------------	-------	-------------	--------------------------



[Confirmation](#)

[Environmental Confirmations](#)



Further information

Information on the packaging

<https://support.industry.siemens.com/cs/ww/en/view/109813875>

Information- and Downloadcenter (Catalogs, Brochures,...)

<https://www.siemens.com/ic10>

Industry Mall (Online ordering system)

<https://mall.industry.siemens.com/mall/en/en/Catalog/product?mlfb=3RK7243-2AA30-0XB0>

Cax online generator

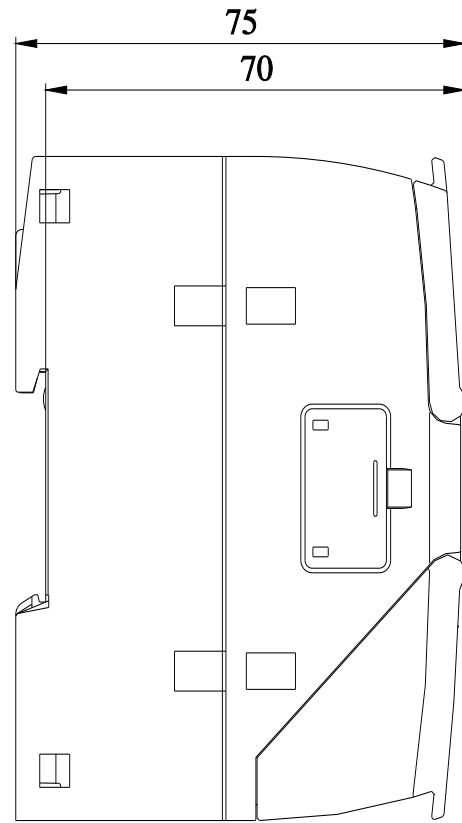
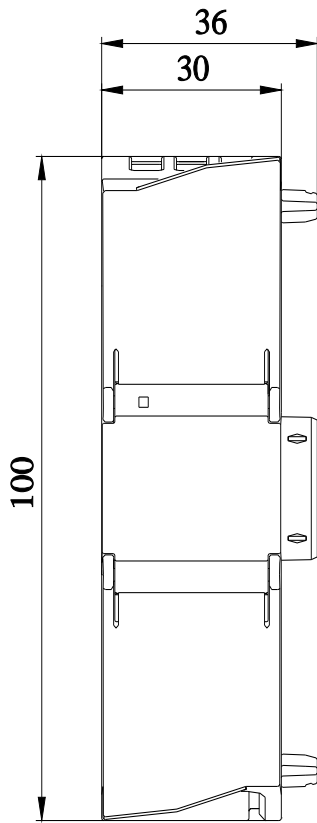
<http://support.automation.siemens.com/WW/CAXorder/default.aspx?lang=en&mlfb=3RK7243-2AA30-0XB0>

Service&Support (Manuals, Certificates, Characteristics, FAQs,...)

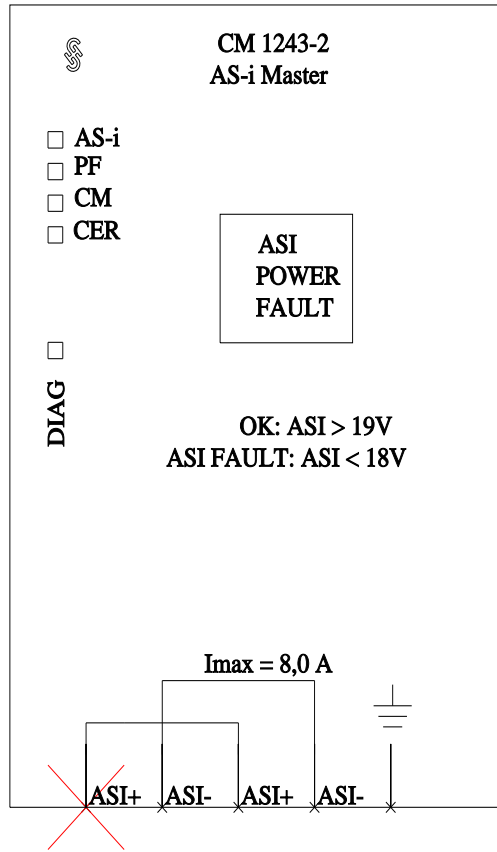
<https://support.industry.siemens.com/cs/ww/en/ps/3RK7243-2AA30-0XB0>

Image database (product images, 2D dimension drawings, 3D models, device circuit diagrams, EPLAN macros, ...)

http://www.automation.siemens.com/bilddb/cax_de.aspx?mlfb=3RK7243-2AA30-0XB0&lang=en



-A1



last modified:

3/11/2024