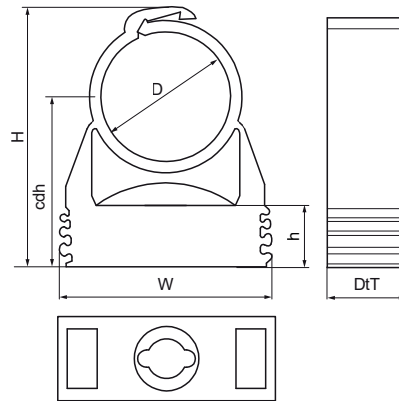


Walraven starQuick® Clamp (Grey)

(C0505)

for securing conduits and pipes to walls, floors, or ceilings



Features & benefits

- one-part clamp
- clamp closes by applying pressure to the pipe
- for outdoor use and installations in swimming pool environments, chemical factories, zinc factories, etc.
- due to a patented profile it is possible to tack several clamps to each other
- material: modified PA6 (polyamide), grey (according to RAL 7035)
- resistant to UV, ageing, oil and petrol
- no corrosion, recyclable, halogen free
- temperature resistance from approx. -40 °C to approx. +90 °C (constant); short to approx. +130 °C



| Product Number | Outside Pipe Diameter | Fixing Hole | Total Height | Total Width | Total Depth | Clamp Center Distance Height | Height | Connection Thread | Maximum Allowed Load Faz | Breaking Load Fbz |
|------------------|-----------------------|-------------|--------------|-------------|-------------|------------------------------|--------|-------------------|--------------------------|-------------------|
| Reference Letter | D | FH | H | W | DtT | cdh | h | G | Fa,z | Fb,z |
| Unit description | mm | mm | mm | mm | mm | mm | mm | | N | N |
| 0854010 | 10 - 12 | 8 | 34 | 29 | 17 | 24 | 10.6 | None | 170 | 500 |
| 0854012 | 12 - 14 | 8 | 36 | 29 | 17 | 25 | 10.6 | None | 180 | 550 |
| 0854015 | 14 - 16 | 8 | 36 | 29 | 17 | 25 | 10.6 | None | 200 | 600 |
| 0854018 | 16 - 20 | 8 | 40 | 29 | 17 | 27 | 10.6 | None | 230 | 700 |
| 0854022 | 20 - 23 | 8 | 43 | 29 | 17 | 28 | 10.6 | None | 270 | 800 |
| 0854028 | 24 - 28 | 8 | 50 | 40 | 18 | 32 | 10.6 | None | 280 | 850 |
| 0854031 | 28 - 32 | 8 | 55 | 40 | 17 | 36 | 10.6 | None | 300 | 900 |
| 0854035 | 32 - 35 | 8 | 59 | 43 | 17 | 37 | 10.6 | None | 330 | 1,000 |
| 0854038 | 35 - 40 | 8 | 68 | 47 | 17 | 44 | 12.1 | None | 330 | 1,000 |
| 0854042 | 40 - 44 | 8 | 70 | 52 | 17 | 44 | 12.1 | None | 330 | 1,000 |
| 0854050 | 44 - 50 | 8 | 79 | 57 | 17 | 50 | 12.1 | None | 330 | 1,000 |
| 0854054 | 48 - 55 | 8 | 82 | 63 | 17 | 50 | 12.1 | None | 330 | 1,000 |
| 0854063 | 59 - 65 | 8 | 95 | 74 | 20 | 57 | 12.1 | None | 500 | 1,500 |