

ROBUS[®]

QUALITY PRODUCTS BY LED GROUP

Universal 360° Occupancy Sensor, Surface mounted or recessed RU360

Please read instruction before commencing installation and retain for future reference.



Specification:

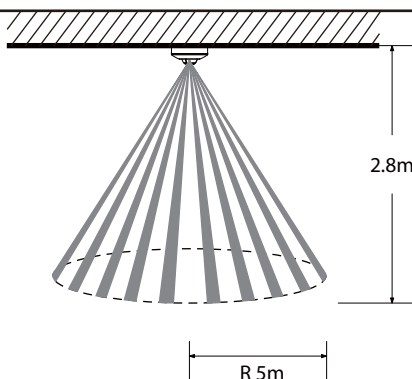
Stand alone Passive infra-red sensor switch (PIR). Further energy saving with photocell allows for day time and or night time operation, ceiling and recessed mounted indoor use only.

Electrical Protection:	Class II
Supply:	220-240V 50/60Hz
Output load:	Max. 2000W incandescent lamp, 600W fluorescent, 300W LED
Operating Temp:	5°C < ta < 25°C
Dimensions	Surface Ø106X57mm Recessed Ø174xØ106x66mm
Weight:	0.2Kg
Detection range:	360° detection angle, 10m motion, 6m occupancy sensor range
Time Delay:	Adjustable time delay 10 seconds~40 minutes
Light Level Adjustment:	Daylight to night adjustable
IP:	IP20
Material:	PC

Terminals suitable for cable sizes from 0.75mm² to 1.5mm².
Suitable for mounting on normally flammable surface

Note:
Product technical information and specification may change over time without prior notification. For the latest technical information please visit our web site
www.ledgrouprobust.com or www.robustdirect.com

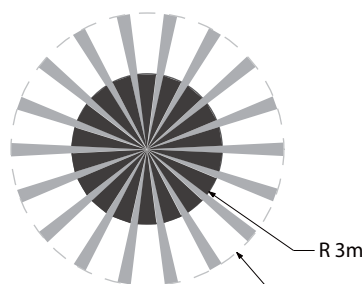
Features:



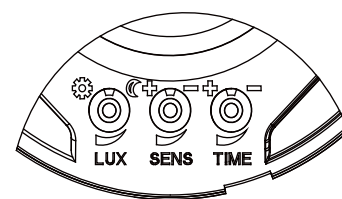
Surface



Recessed



360° detection angle
Occupancy sensor area R3m



Lux, sens, time adjustable

The Installation must be carried out by an electrician

LED Group
Western Retail Park
Nangor Road
Dublin 12
Ireland
Issue 4 150414

Tel: +353 1 7099000
Fax: +353 1 7099060
Email: info@led.ie
Website: www.led.ie



Features:

Adjusting the Lux(Light) control level:

The Lux control is a built-in sensing device (photocell) that detects daylight and darkness.

(☀) position denotes the light can be turned on during daylight and night.

(🌙) position denotes the light can be turned only at night.

Can set to operate the unit at the desired level by adjusting the LUX knob

Adjusting the Duration Time:

The duration time is "the length of time that light switches 'on' after activation. The duration time can be adjusted from (10±5) seconds to (40±5) minutes. Rotating the TIME knob from (+) to (-) will reduce the duration time. Note: Once the light has been triggered by the PIR sensor any subsequent detection will start the timed period again from the beginning.

Adjusting the Sensitivity:

The sensitivity means the Maximum distance which PIR Sensor can be triggered by movement body. Turning the SENS knob from (+) to (-) will decrease the sensitivity.

Installation:

! Electrical products can cause death or injury, or damage to property. If in any doubt about the installation or use of this product, consult a competent electrician.

1 Ensure mains supply is switched off before commencing work.

2 Location:

- a. max 2.8m above ground level
- b. Avoid: positions close to exhaust gas flues, heat extraction vents, or heat sources to avoid false triggering. Also avoid pointing toward bright lights which may prevent operation (or cause hunting i.e. flashing lights on and off) when Lux level set for night operation. Do not mount on surfaces subject to vibration.

Surface Mounted:

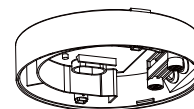
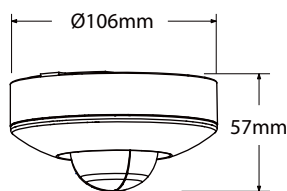


Figure 1, Use the housing to mark the position of screw holes. Check location of buried wires before drilling fixing holes.

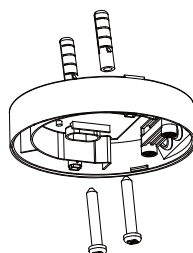


Figure 2, Drill the wall and fit the screws plugs, then fix housing to the mounting surface with mounting screws

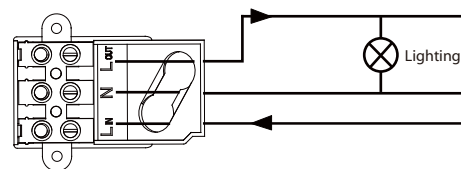
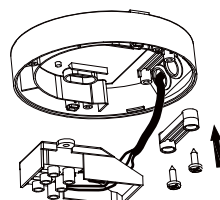


Figure 3, Connect supply cables, and fit the terminal to the housing. Wiring see right detail.

The Installation must be carried out by an electrician

LED Group
Western Retail Park
Nangor Road
Dublin 12
Ireland

Tel: +353 1 7099000
Fax: +353 1 7099060
Email: info@led.ie
Website: www.led.ie



Installation:

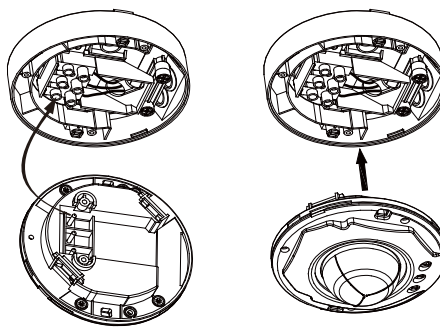


Figure 4, Refit the Sensor to the housing

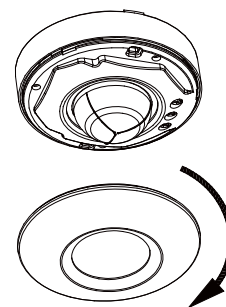


Figure 5, Refit the front cover

Recessed Mounted:

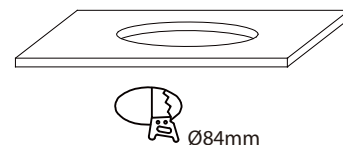
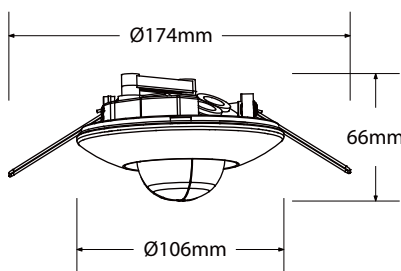


Figure 1, Mark ceiling with Ø84mm cut-out size



Figure 2, Insert spring tension leg into recess



Figure 3, Adjust the position of the spring so that the hole of spring is inserted by arm



Figure 4, Push the spring to the right side to let it is held by right arm

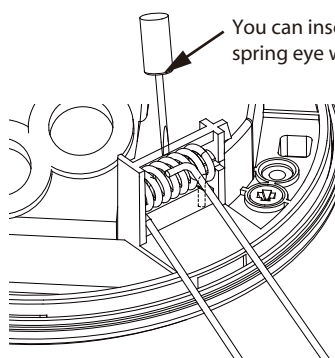


Figure 4, Push springs coils together until eye will attach to opposite arm

You can insert the pin to the spring eye with a help of a screwdriver

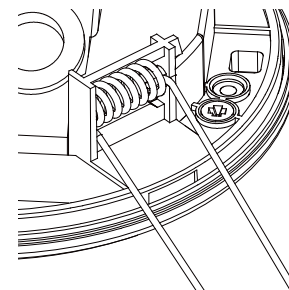


Figure 5, Place free part of the spring into the eye, repeat process for other spring

The Installation must be carried out by an electrician

LED Group
Western Retail Park
Nangor Road
Dublin 12
Ireland

Tel: +353 1 7099000
Fax: +353 1 7099060
Email: info@led.ie
Website: www.led.ie



Installation:

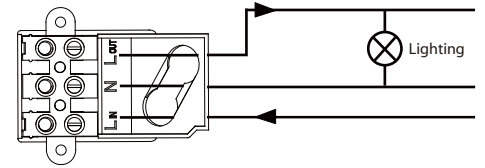
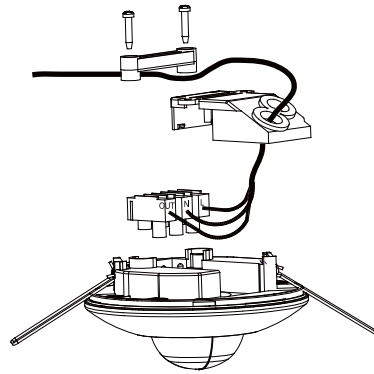


Figure 5, Remove the Junction box and connect the supply Wiring see right detail

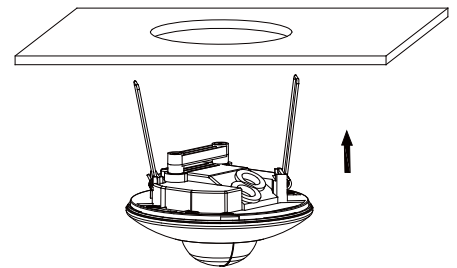
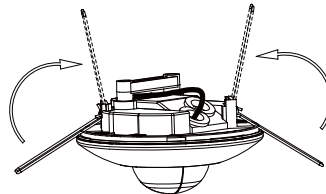


Figure 6, Offer the Sensor up to cut-out with the springs being held vertically

Information for the Product user

1. Please note the requirement to dispose of Waste Electrical & Electronic Equipment separately from household waste (WEEE marked with crossed out wheelie bin symbol).
2. Please consider your role in contributing to re-use and recycling by returning this product at end of life to a collection centre for waste electrical equipment or a Civic Amenity site, or to a retail outlet from which you are purchasing a replacement.
3. This equipment may contain substances that are hazardous to health and the environment if disposed of carelessly. It is important that it is separated from normal household waste and recycled in the WEEE chain
4. The "crossed out wheelie bin symbol" on a product indicates this equipment must not be disposed of in normal household waste, but should be disposed of according to local WEEE regulations

The Installation must be carried out by an electrician

LED Group
Western Retail Park
Nangor Road
Dublin 12
Ireland

Tel: +353 1 7099000
Fax: +353 1 7099060
Email: info@led.ie
Website: www.led.ie

