



FUSERBLOC and high speed fuses (uR)

Fuse load break switches

Protection for power semiconductors up to 1250 A

Fuse protection



fuser_437_a_1_cat

FUSERBLOC
630 to 1250 A



fuser_439_a_1_cat

FUSERBLOC
from 25 to 400 A

The solution for

- > Protection for inverters and variable speed drives



Strong points

- > Limiting the short-circuit current

Extended range

- > For different setups, please contact us (uR 1250 V fuses, 80 mm or 110 mm size notch fuses, different sizes, etc.).

Function

FUSERBLOC fuse combination switches combined with high speed fuses (uR curve) ensure the best operation under load, safe switching and protection for your power semiconductors (dimers, inverters, etc.).

Advantages

Limiting the short-circuit current

This fuse solution for limiting the short-circuit current is by far the most efficient and economical on the market (uR fuses)

FUSERBLOC and high speed fuses (uR)

Fuse combination switches

Protection for power semiconductors up to 1250 A

FUSERBLOC for cylindrical uR 690 VAC fuses

Characteristics

FUSERBLOC CD 50 A for 14 x 51 fuses									
Fuse rating (A)	10	12	16	20	25	32	40	50	
I max. for FUSERBLOC (A)	10	12	16	20	25	29	36	40	
FUSERBLOC CD 125 A for 22 x 58 fuses									
Fuse rating (A)	20	25	32	40	50	63	80	100	
I max. for FUSERBLOC (A)	20	25	32	40	50	63	71	85	

References

Direct side operation

Rating (A) / Fuse size / Casing size	No. of poles	Case	Direct handle	Auxiliary contact for pre-break and position signalling
50 A / 14 x 51 1	2 P	3615 2005	Black 3629 7900	1 contact NO/NC 3999 0021
	3 P	3615 3005		
	4 P	3615 6005		
125 A / 22 x 58 3	2 P	3615 2011	Black 3629 7901	2 contacts NO/NC 3999 0022
	3 P	3615 3011		
	4 P	3615 6011		

Front or right-side external controls

Rating (A) / Fuse size / Casing size	No. of poles	Case	External front handle	External side handle	Shaft for external operation	Auxiliary contact for pre-break and position signalling
50 A / 14 x 51 11	2 P	3831 2005	Black IP55 1411 2111	Black IP55 1415 2111	320 mm 1400 1032	1 contact NC 3999 0701
	3 P	3831 3005	Red/Yellow IP65 1414 2111	Red / Yellow IP65 1418 2111		
	4 P	3831 6005				
125 A / 22 x 58 13	2 P	3831 2011	Black IP55 1421 2111	Black IP55 1425 2111		1 contact NO 3999 0702
	3 P	3831 3011	Red IP65 1424 2111	Red/Yellow IP65 1428 2111		
	4 P	3831 6011				

Accessories

For other accessories, see FUSERBLOC.

FUSERBLOC and high speed fuses (uR)

Fuse combination switches

Protection for power semiconductors up to 1250 A

FUSERBLOC for 690 V AC uR solid knife blade fuses DIN 43620

Characteristics

FUSERBLOC 160 A for fuses size 000 and 00															
Fuse rating (A)	10	16	20	25	32	40	50	63	80	100	125	160	200	250	315
I max. for FUSERBLOC (A)	10	16	20	25	32	32	37	44	51	92	105	121	140	140	140
FUSERBLOC 250 A for fuses size 1*															
Fuse rating (A)				40	50	63	80	100	125	160	200	250	315	350	400
I max. for FUSERBLOC (A)				40	50	63	80	100	125	155	178	205	210	215	220
FUSERBLOC 400 A for fuses size 2															
Fuse rating (A)						200	250	315	350	400	450	500	550	630	700
I max. for FUSERBLOC (A)						120	150	169	210	330	330	340	340	350	350
FUSERBLOC 630 A for fuses size 3															
Fuse rating (A)									500	550	630	700	800	900	1000
I max. for FUSERBLOC (A)									360	380	420	450	480	500	510

References

Direct side operation

Rating (A) / Fuse / Casing size	No. of poles	Case	Direct handle	Pre-break Auxiliary contact and position	Fuse caps
160 A / 00 3	2 P	3615 2015	Black 3629 7901	1 contact NO/NC 3999 0021	3990 7015 ⁽¹⁾
	3 P	3615 3015			3990 8015 ⁽¹⁾
	4 P	3615 6015			3990 9015 ⁽¹⁾
160 A / 0 4	2 P	3615 2016			3990 7016 ⁽¹⁾
	3 P	3615 3016			3990 8016 ⁽¹⁾
	4 P	3615 6016			3990 9016 ⁽¹⁾
250 A / 1 5	2 P	3615 2024		2 NO/NC contacts 3999 0022	3990 7024 ⁽¹⁾
	3 P	3615 3024			3990 8024 ⁽¹⁾
	4 P	3615 6024			3990 9024 ⁽¹⁾
400 A / 2 6	2 P	3615 2039			3990 7039 ⁽¹⁾
	3 P	3615 3039			3990 8039 ⁽¹⁾
	4 P	3615 6039			3990 9039 ⁽¹⁾
630 A / 3 17	2 P	3811 2063	Black 3899 6011	1 contact NC 3999 0701	3990 7063 ⁽¹⁾
	3 P	3811 3063			3890 8063 ⁽¹⁾
	4 P	3811 6063		1 contact NO 3999 0702	3890 9063 ⁽¹⁾

(1) Terminal shrouds for FUSERBLOC devices equipped with auxiliary contacts for fuse blown signal.

External right-side or front control

Rating (A) / Fuse / Casing size	No. of poles	Case	External front handle	External side handle	Shaft for external operation	Auxiliary contact for pre-break and position signalling	Fuse caps		
160 A / 00 13	2 P	3831 2015	Black IP55 1421 2111	Black IP55 1425 2111	200 mm 1400 1020	1 contact NC 3999 0701	3990 7015 ⁽¹⁾		
	3 P	3831 3015					3990 8015 ⁽¹⁾		
	4 P	3831 6015					3990 9015 ⁽¹⁾		
160 A / 0 14	2 P	3831 2016					3990 7016 ⁽¹⁾		
	3 P	3831 3016					3990 8016 ⁽¹⁾		
	4 P	3831 6016					3990 9016 ⁽¹⁾		
250 A / 1 15	2 P	3831 2024		Red/Yellow IP65 1424 2111	Red/Yellow IP65 1428 2111	320 mm 1400 1032	1 contact NO 3999 0702	3990 7024 ⁽¹⁾	
	3 P	3831 3024						3990 8024 ⁽¹⁾	
	4 P	3831 6024						3990 9024 ⁽¹⁾	
400 A / 2 16	2 P	3831 2039						3990 7039 ⁽¹⁾	
	3 P	3831 3039						3990 8039 ⁽¹⁾	
	4 P	3831 6039						3990 9039 ⁽¹⁾	
630 A / 3 17	2 P	3811 2063	Black IP65 1433 3111	Black IP65 1437 3111	200 mm 1400 1220	1 contact NO 3999 0702	3990 7063 ⁽¹⁾		
	3 P	3811 3063					3890 8063 ⁽¹⁾		
	4 P	3811 6063					Red/Yellow IP65 1434 3111	Red/Yellow IP65 1438 3111	320 mm 1400 1232

(1) Terminal shrouds for FUSERBLOC devices equipped with auxiliary contacts for fuse blown signal.

FUSERBLOC and high speed fuses (uR)

Fuse combination switches

Protection for power semiconductors up to 1250 A

Accessories

Terminal shrouds for FUSERBLOC devices equipped with auxiliary contacts for fuse blown signal.

Use

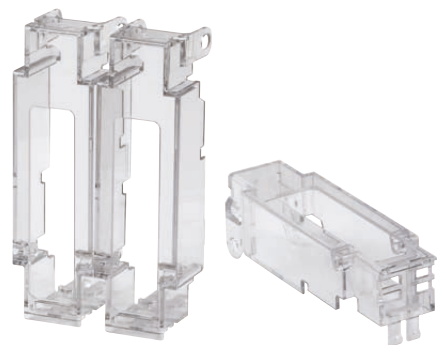
Protection from direct contact with live parts located in the fuse compartment, for FUSERBLOC devices equipped with uR fuses with auxiliary contacts for fuse blown signal.

Rating (A)	Fuses ⁽¹⁾	No. of poles	Option ⁽²⁾	Accessories ⁽³⁾
			(factory fit) References	(client fit) References
160	00	2 P	3990 7015	3999 7015
160	00	3 P	3990 8015	3999 8015
160	00	4 P	3990 9015	3999 9015
160	0	2 P	3990 7016	3999 7016
160	0	3 P	3990 8016	3999 8016
160	0	4 P	3990 9016	3999 9016
250	1	2 P	3990 7024	3999 7024
250	1	3 P	3990 8024	3999 8024
250	1	4 P	3990 9024	3999 9024
400	2	2 P	3990 7039	3999 7039
400	2	3 P	3990 8039	3999 8039
400	2	4 P	3990 9039	3999 9039
630	3	3 P	3890 8063	3899 8063
630	3	4 P	3890 9063	3899 9063

(1) For fuses, see "uR fuses 10 to 2000 A".

(2) If ordered with the main device.

(3) If otherwise controlled.



access_221_a

For other accessories, see FUSERBLOC.

FUSERBLOC for 690 V AC uR type K/50 fuses

Characteristics

FUSERBLOC V 800 A for BK size 2 fuse														
Fuse rating (A)	400	450	500	550	630	700	800	900	1000	1100	1250			
I max. for FUSERBLOC (A)	380	420	440	450	500	520	530	530	530	540	550			
FUSERBLOC 1250 A for fuses size 3														
Fuse rating (A)	500	550	630	700	800	900	1000	1100	1250	1400	1500	1600	1800	2000
I max. for FUSERBLOC (A)	500	550	620	630	720	790	870	940	1050	1100	1100	1100	1100	1100

References

Front operation

Rating (A) / Fuse	No. of poles	Switch body ⁽¹⁾	Direct handle	External handle	Shaft for external operation	Fuse caps	Auxiliary contact for pre-break and position signalling	Terminal shrouds
800 A / 2	3 P	3680 3081	3999 6012	Black IP55 1443 3111 ⁽²⁾ Red/Yellow IP65 1444 3111	200 mm 1400 1220 320 mm 1400 1232	included	1 NO/NC 3999 0051 2e NO/NC 3999 0052	3998 3063
	4 P	3680 6081						3998 4063
1250 A / 3	3 P	3680 3121						3998 3120
	4 P							3998 4120

(1) Please contact us.

(2) Standard.

FUSERBLOC and high speed fuses (uR)

Fuse combination switches

Protection for power semiconductors up to 1250 A

FUSERBLOC for K/110 uR fuses

Characteristics

FUSERBLOC 250 A for fuses size 1* at 690 VAC⁽¹⁾																		
Fuse rating (A)	40	50	63	80	100	125	160	200	250	315	350	400	450	500	550	630		
I max. for FUSERBLOC (A)	40	50	63	80	100	120	140	165	195	215	230	240	240	240	230	240		
FUSERBLOC 400 A for fuses size 1* at 690 VAC⁽¹⁾																		
Fuse rating (A)							200	250	315	350	400	450	500	550	630	700	800	900
I max. for FUSERBLOC (A)							145	165	200	220	240	265	290	310	340	370	395	395
FUSERBLOC 500 A for fuses size 2* at 690 VAC⁽¹⁾																		
Fuse rating (A)											400	450	500	550	630	700		
I max. for FUSERBLOC (A)											320	345	370	390	425	460		
FUSERBLOC 630 A for fuses size 2 at 690 VAC⁽¹⁾																		
Fuse rating (A)											800	900	1000	1100	1250			
I max. for FUSERBLOC (A)											495	545	590	610	620			
FUSERBLOC 800 A for fuses size 3 at 690 VAC⁽¹⁾																		
Fuse rating (A)			500	550	630	700	800	900	1000	1100	1250	1400	1500	1600	1800	2000		
I max. for FUSERBLOC (A)			370	395	440	480	535	590	645	695	760	800	800	800	800	800		
FUSERBLOC 1250 A for fuses size 3, contact us.																		

(1) For uR fuses type K/110 1250 VAC, please contact us.

References

Direct right-side or front control

Rating (A) / Fuse / Casing size	No. of poles	Case	Direct side handle	Direct front handle	Fuse caps	Auxiliary contact for pre-break and position signalling	Terminal shrouds			
250 A / 1* / 6	2 P	36U1 2024	Black 3629 7901		2 P 3990 2839 ⁽¹⁾	1 contact NO/NC 3999 0021	2 P 3998 2025			
	3 P	36U1 3024					3 P 3998 3025			
400 A / 1 / 6	2 P	36U1 2039			Black 1437 7911		Black 3899 6011	3 P 3990 3839 ⁽¹⁾	1 contact NC 3999 0701	3 P 3998 3025
	3 P	36U1 3039								2 P 3898 2080
500 A / 2 / 17	2 P	38U1 2050	3 P 3898 3080	3 P 3890 3U63 ⁽¹⁾		1 contact NO 3999 0702		3 P 3898 3080		
	3 P	38U1 3050								
630 A / 2 / 17	2 P	38U1 2063	3 P 3898 3080	3 P 3890 3U63 ⁽¹⁾		1 contact NO 3999 0702		3 P 3898 3080		
	3 P	38U1 3063								
800 A / 3 / 18	2 P	38U1 2080	3 P 3898 3080	3 P 3890 3U63 ⁽¹⁾	1 contact NO 3999 0702	3 P 3898 3080				
	3 P	38U1 3080								
1250 A / 3 / 18	2 P	38U1 2120	3 P 3898 3080	Standard		3 P 3898 3080				
	3 P	38U1 3120					3 P 3898 3120			

(1) Terminal shrouds for FUSERBLOC devices equipped with auxiliary contacts for fuse blown signal.

FUSERBLOC and high speed fuses (uR)

Fuse combination switches

Protection for power semiconductors up to 1250 A

Part numbers (continued)

External right-side or front control

Rating (A) / Fuse size / Casing size	No. of poles	Case	External front handle	External side handle	Shaft for external operation	Fuse caps	Auxiliary contact for pre-break and position signalling	Terminal shrouds					
250 A / 1* / 16	2 P	38U1 2024	Type S2 Black IP55 1421 2111	Type S2 Black IP55 1425 2111	320 mm 1400 1032	2 P 3990 2839 ⁽¹⁾		2 P 3998 2025					
	3 P	38U1 3024							3 P 3998 3025				
400 A / 1 / 16	2 P	38U1 2039	Red IP65 1424 2111	Red/Yellow IP65 1428 2111		3 P 3990 3839 ⁽¹⁾							
	3 P	38U1 3039								3 P 3998 3025			
500 A / 2 / 17	2 P	38U1 2050	Type S3 Black IP65 1433 3111	Type S3 Black IP65 1437 3111	320 mm 1400 1232	2 P 3890 2U63 ⁽¹⁾	1 contact NC 3999 0701 1 contact NO 3999 0702	2 P 3898 2080					
630 A / 2 / 17	3 P	38U1 3050							3 P 3898 3080				
	2 P	38U1 2063				Red/Yellow IP65 1434 3111		Type S3 Black IP65 1437 3111	3 P 3890 3U63 ⁽¹⁾				
3 P	38U1 3063	3 P 3898 3080											
800 A / 3 / 17	2 P	38U1 2080	Type S4 Black IP65 1443 3111	Red/Yellow IP65 1438 3111				2 P 3898 2120					
	3 P	38U1 3080							3 P 3898 3120				
1250 A / 3 / 18	2 P	38U1 2120						Red/Yellow IP65 1444 3111			Standard		2 P 3898 2120
	3 P	38U1 3120											

(1) Terminal shrouds for FUSERBLOC devices equipped with auxiliary contacts for fuse blown signal.

Accessories

Terminal shrouds for FUSERBLOC devices equipped with auxiliary contacts for fuse blown signal.

Use

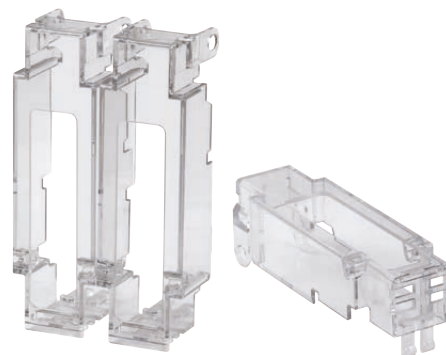
Protection from direct contact with live parts located in the fuse compartment, for FUSERBLOC devices equipped with uR fuses with auxiliary contacts for fuse blown signal.

Rating (A)	Fusibles ⁽³⁾	No. of poles	Option ⁽²⁾ (factory fit)	Accessories ⁽¹⁾ (client fit)
			Reference	Reference
250 - 400	1* / 1	2 P	3990 2839	3999 2839
250 - 400	1* / 1	3 P	3990 3839	3999 3839
500 ... 800	2 / 3	2 P	3890 2U63	3899 2U63
500 ... 800	2 / 3	3 P	3890 3U63	3899 3U63
500 ... 800	2 / 3	2 P	3890 2U63	3899 2U63
1250	3	2 P	Standard	Standard
1250	3	3 P	Standard	Standard

(1) If otherwise controlled.

(2) If ordered with the main device.

(3) For fuses, see "uR fuses 10 to 2000 A".



access_221_a

For other accessories, see FUSERBLOC.