

Product data sheet Spirotech

Product name

SpiroTrap MB3 -22mm -Magnet -Uni

Product properties

A brass dirt separator with magnet and a 22 mm - 2" universal connection

- Very small particles, from 5 μm (= 0.005 mm) are separated and removed
- Including a magnet for extra protection and high efficient removal of magnetite
- Dirt can be drained while the system is in operation
- No shut-off valves or bypass required
- Applicable with 50/50 Ethylene Glycol / Water (Volume)
- Constant low pressure drop
- Maintenance only takes a few seconds and is not a dirty job
- No unnecessary downtime
- Connection diameters from 22 mm - 2" (G2)

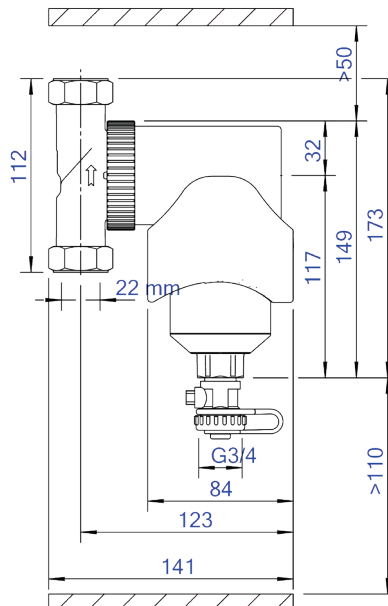
Article number

UE022WJ

Product image



Product dimensions



Product data sheet Spirotech

ETIM product data

| | | | |
|---|---------------------|---------------------------------------|---------------------------|
| Housing material | Brass | Suitable for closed system | Yes |
| With drain valve | Yes | Suitable for solar | No |
| Housing material quality | Other | Whirl operating principle | No |
| Backwash filter | No | Negative pressure operating principle | No |
| Medium temperature (continuous) | 0 - 110 °C | With dismountable filter | No |
| Max. operating pressure | 10 bar | Filter volume | 0.36 l |
| KVS value [m ³ /h] at ΔP 1 bar | 9.07 | Magnet operating principle | Yes |
| Variable flow direction | Yes | Thrust operating principle | No |
| With insulation | No | With automatic de-aerator | No |
| Separator type | Dirt | Partial flow principle | No |
| Connection | Compression ring | Principle full flow with settling | Yes |
| Model | Horizontal/vertical | With integrated replenishment automat | No |
| Nominal diameter | Other | With couplers | Yes |
| Max. glycol mixture | 50 % | Cleaning possible during operation | Yes |
| Suitable for heating | Yes | Material of connection | Brass |
| Suitable for cooling | Yes | Inlet/outlet offset distance | 0 mm |
| Outer pipe diameter | 22 mm | Material quality connection | Other |
| Construction length | 92 mm | Flow-through capacity | 0 - 1.3 m ³ /h |
| Article compression class | PN 10 | Operating principle | Magnet |
| Surface protection | Untreated | Magnet location | External |
| Suitable for open system | No | | |

Disclaimer

This product sheet has been compiled with the greatest possible care. Nevertheless, it may contain errors or omissions. For the most current and correct information we refer you to our website

