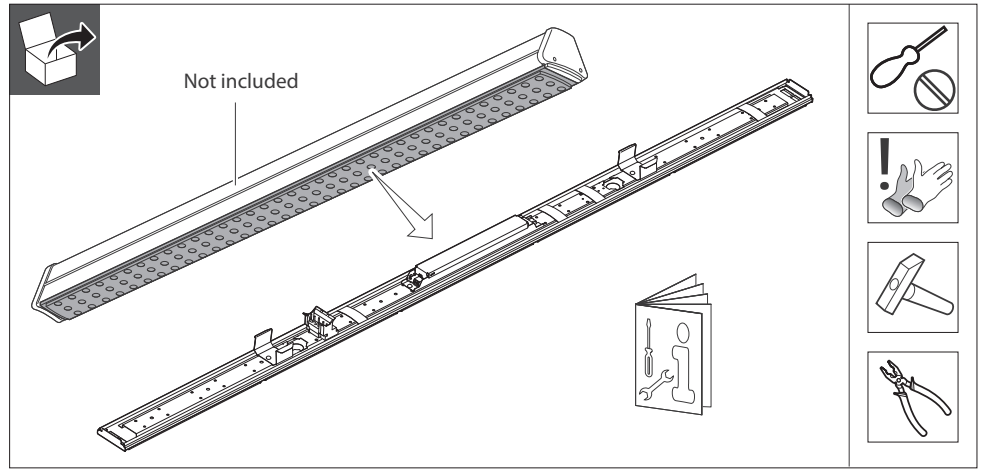


# PHILIPS

## Maxos LED General Lighting

4MX850



220V  
240V

50Hz  
60Hz



LEDs

IP20

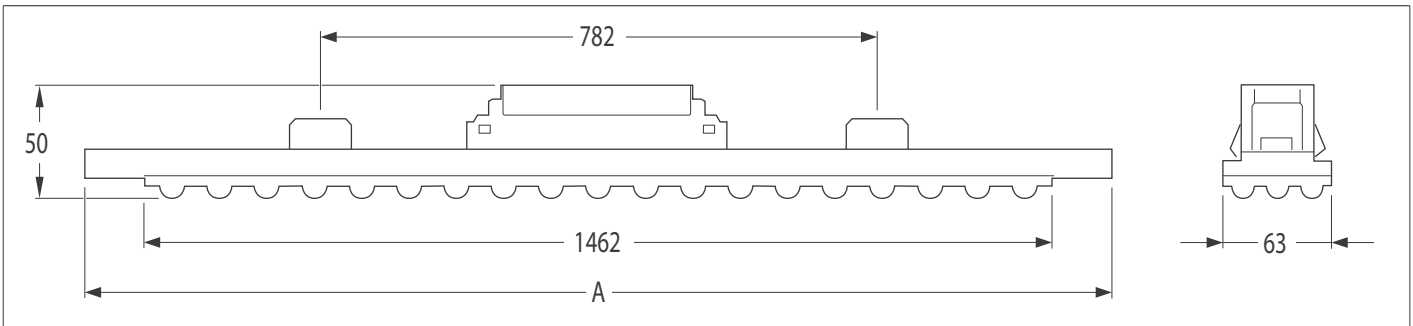


GLOW  
WIRE  
650 °C

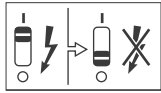
Max.  
35 °C  
Min.  
-20 °C



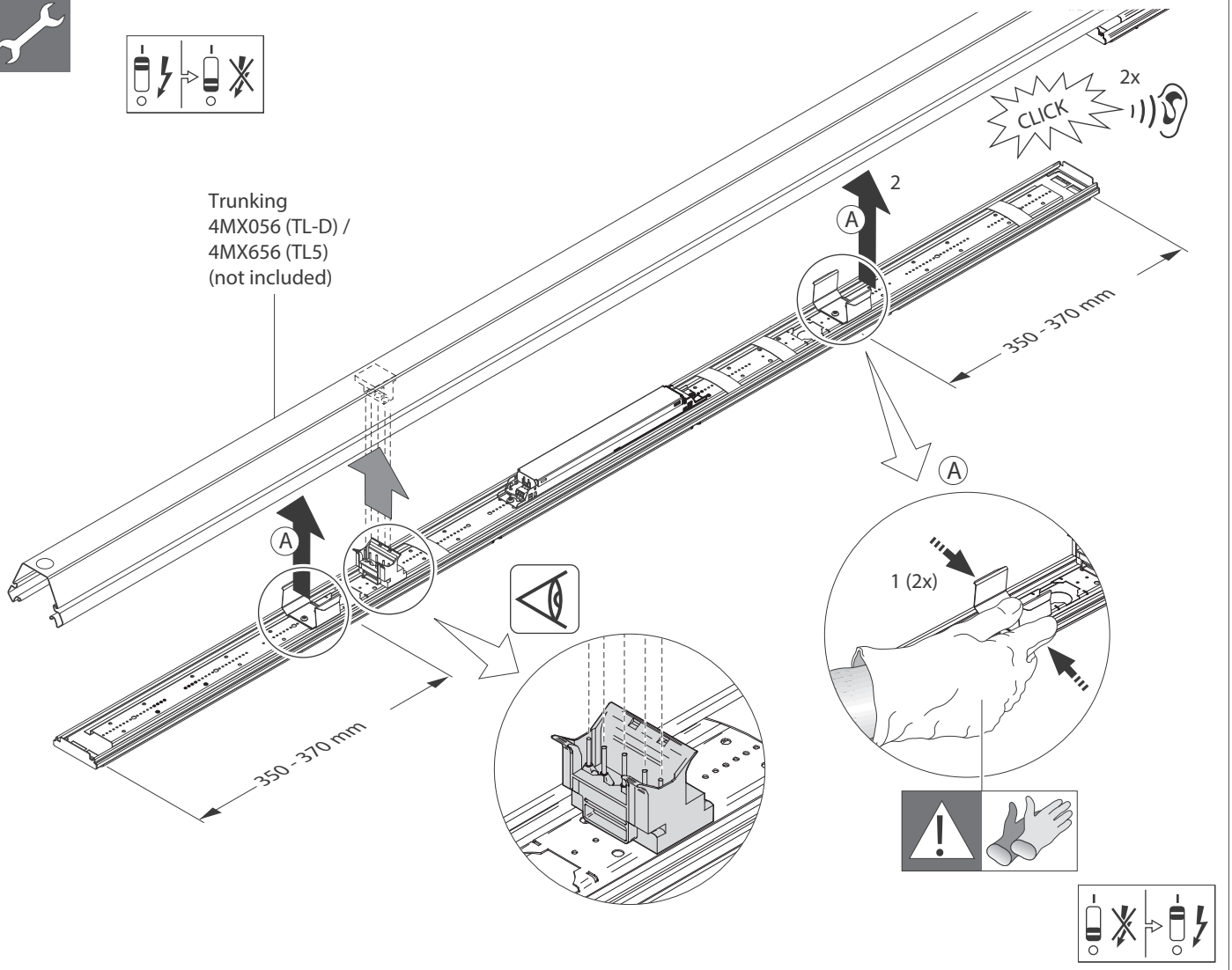
LEDs	CCT	Type	A	kg		
4MX850		491	1478	1.80		
4MX866 40S/55S/66S/80S	830/840/850/865	581	1528	1.85		
4MX883						



The light source contained in this luminaire shall only be replaced by the manufacturer or his service agent or a similar qualified person.

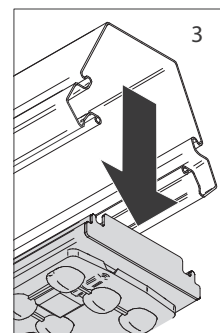
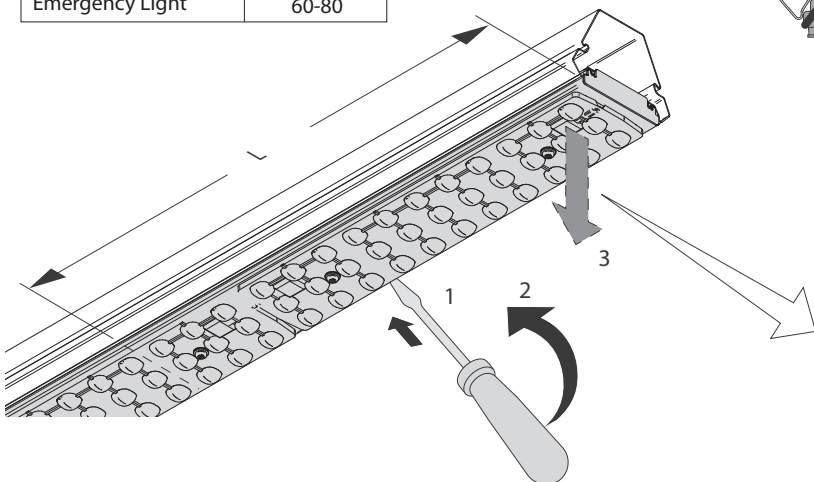
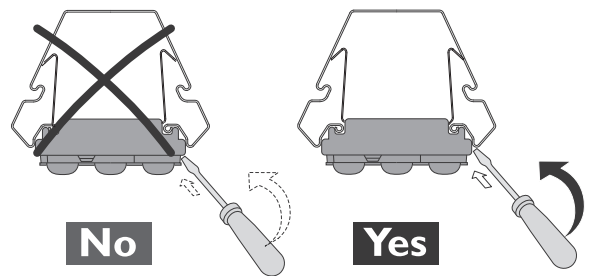


Trunking  
4MX056 (TL-D) /  
4MX656 (TL5)  
(not included)



Service

	L [mm]
Standard	350-370
Asymmetric	350-370
Emergency Light	60-80

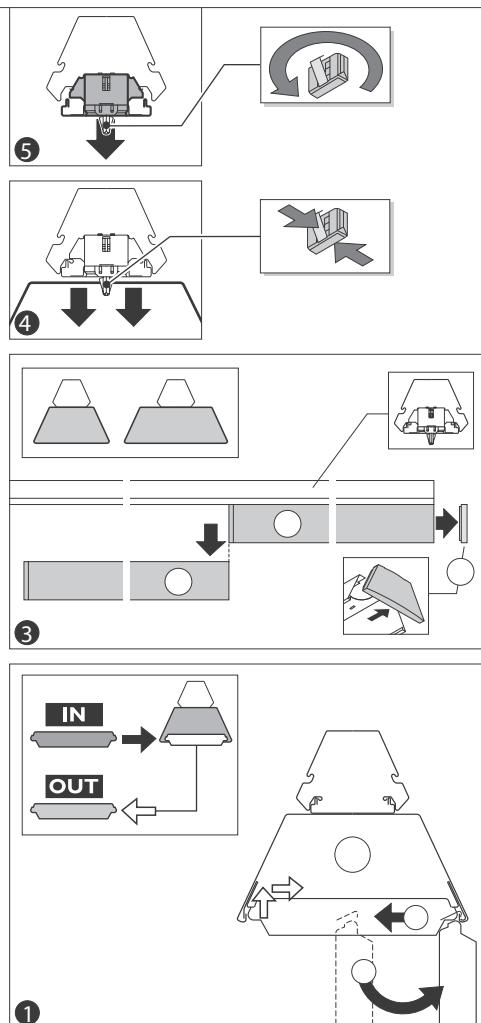
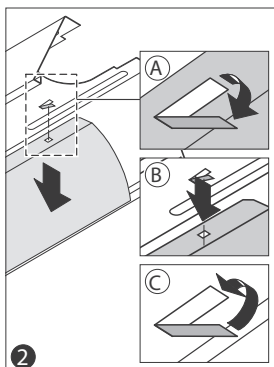
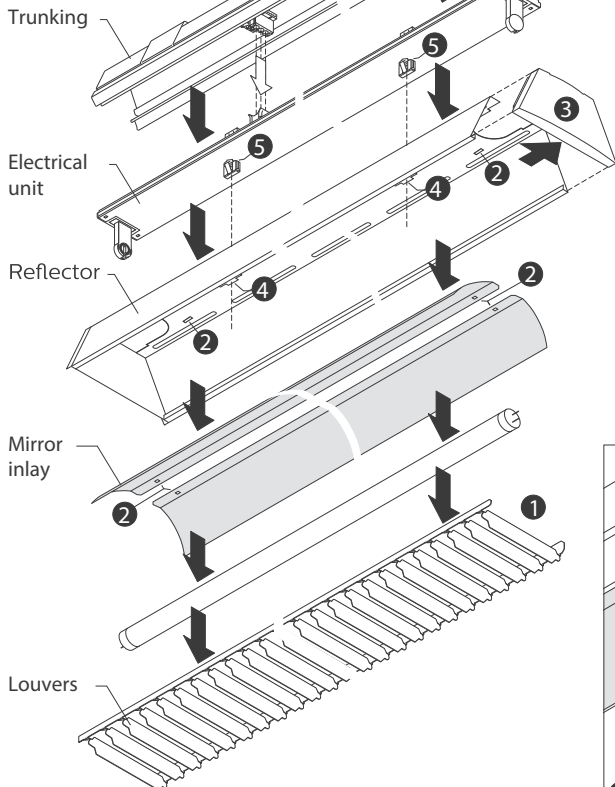




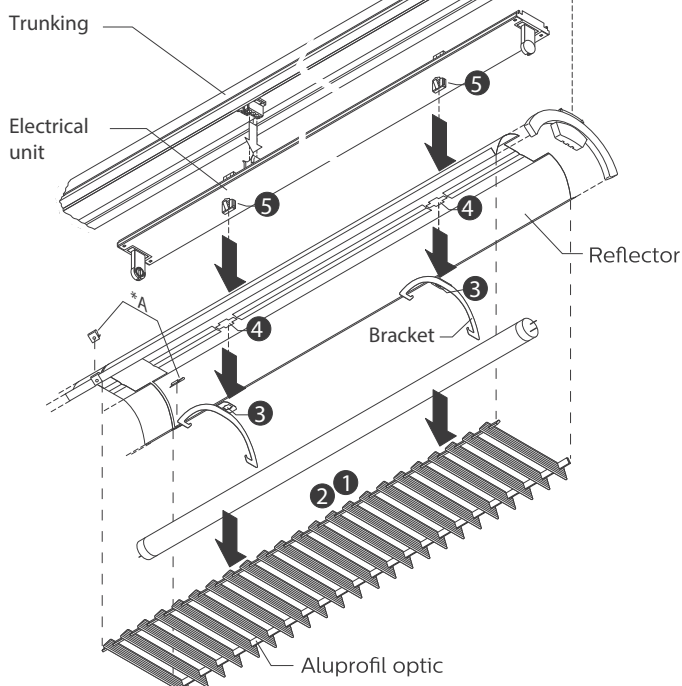
# Way of retrofit

## Reflectors and optics

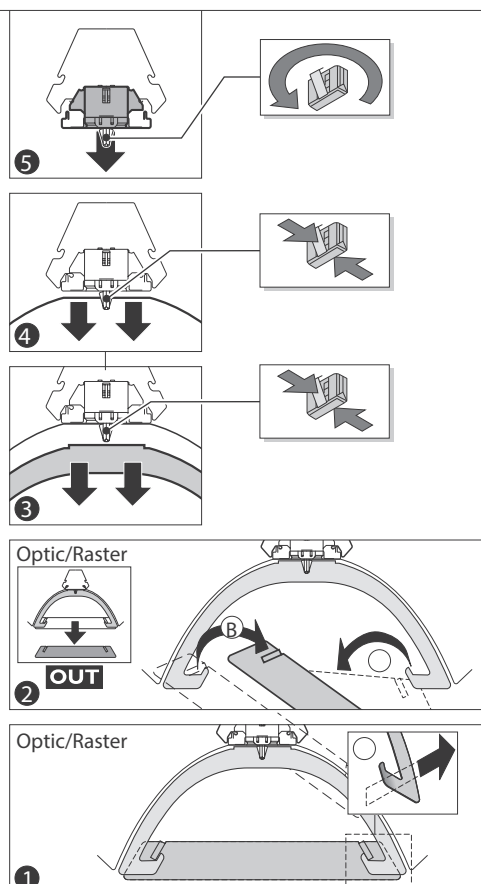
Check suspension distances. See pag. 4

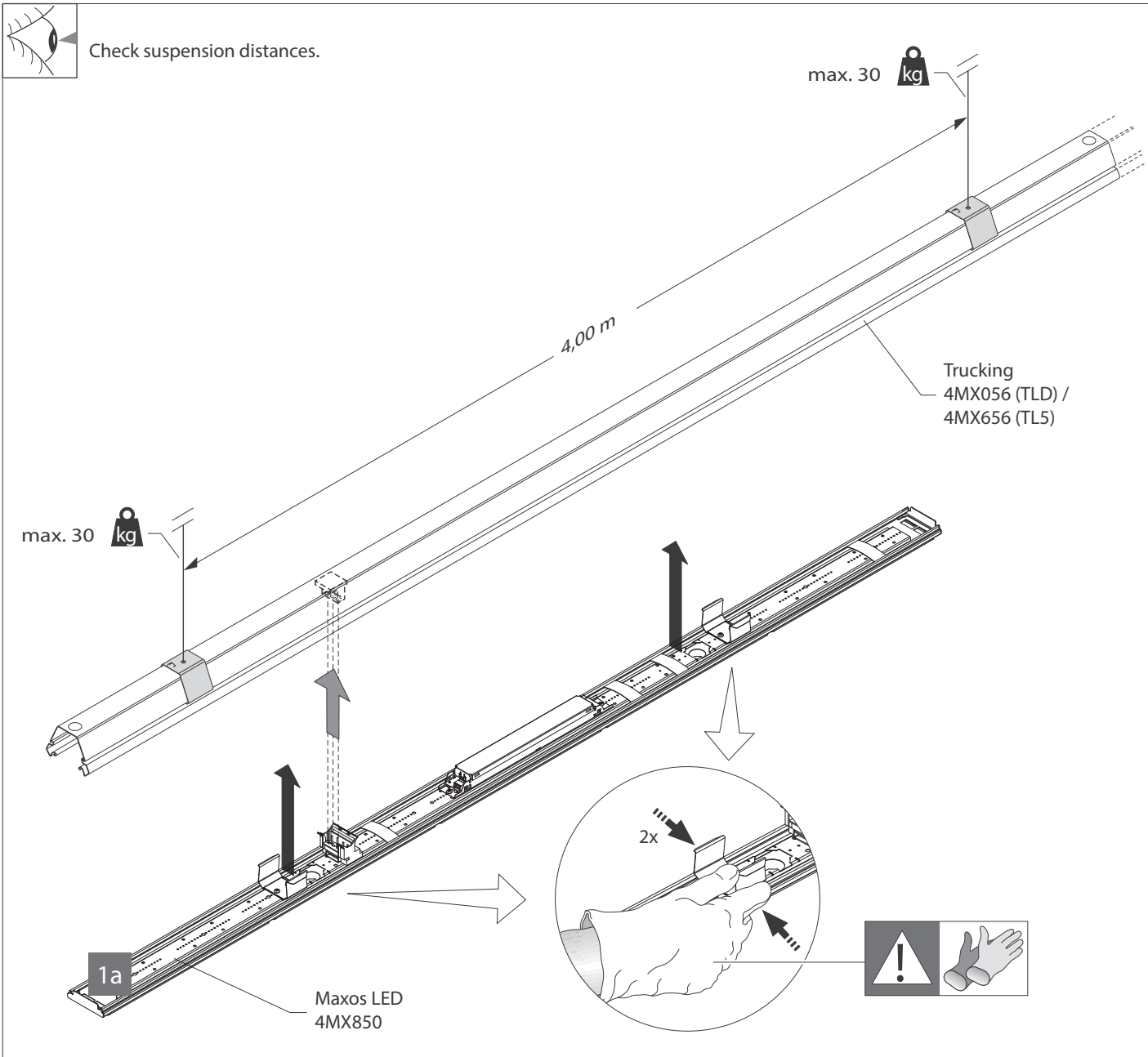


## Reflectors and optics



\* Clip (optional)

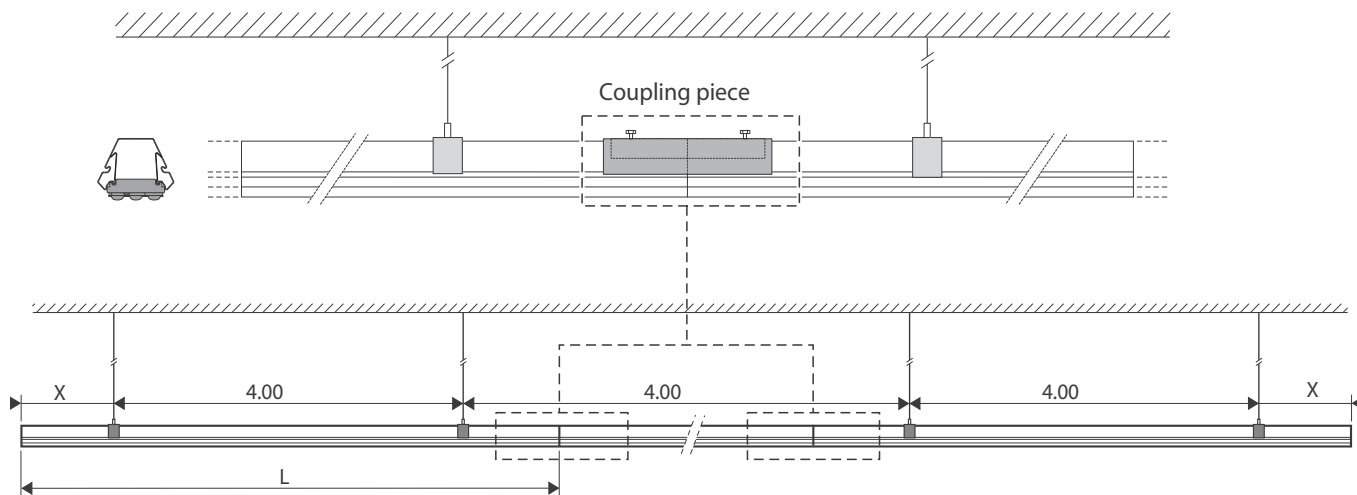


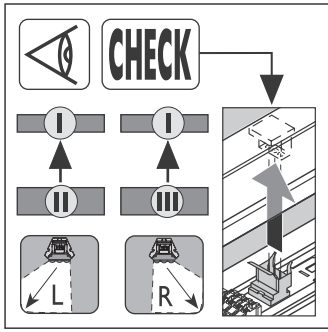


### Suspension distances with coupling piece

$x = 0.1 - 0.7$  m

Type	L	
491	1479	1.80
581	1530	1.85



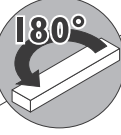


max. 30 kg

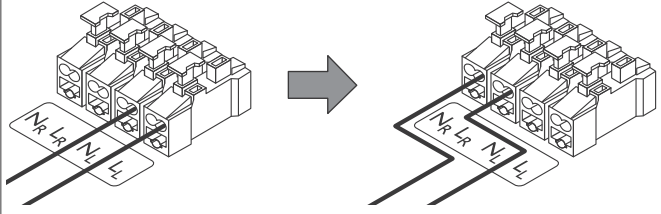
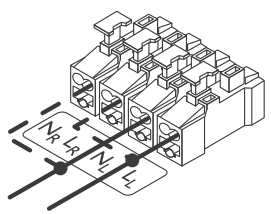
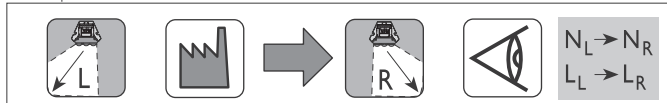
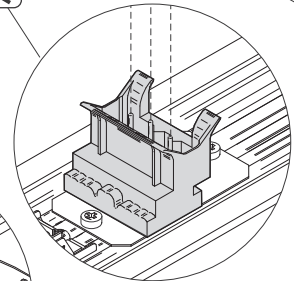
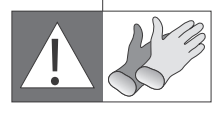
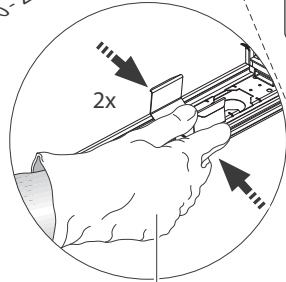
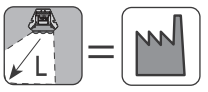
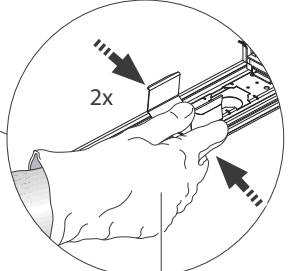
Trunking  
4MX056 (TLD) /  
4MX656 (TL5)

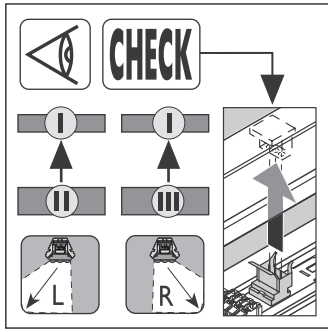
max. 30 kg

Start



190-225 mm





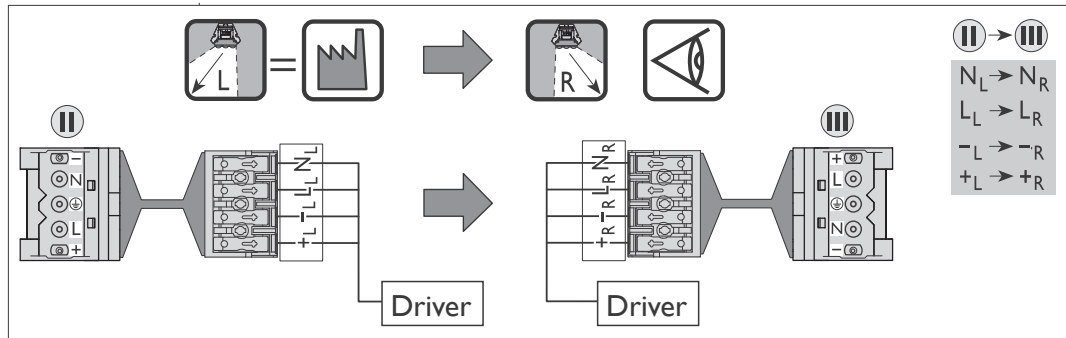
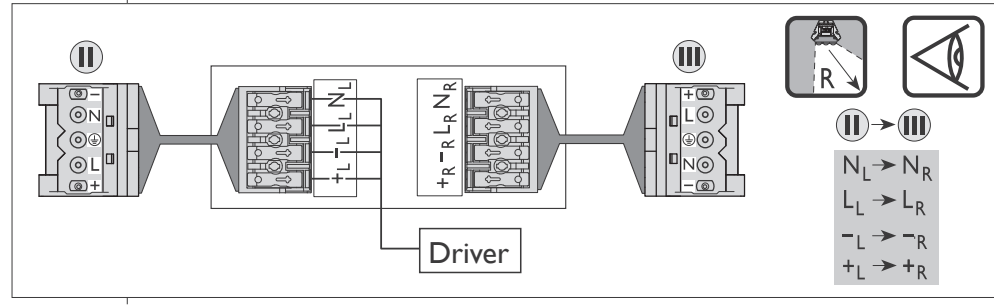
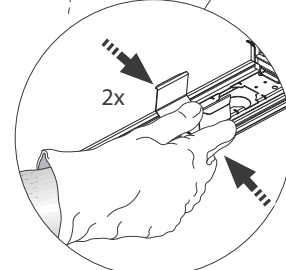
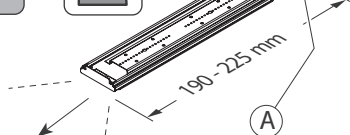
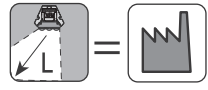
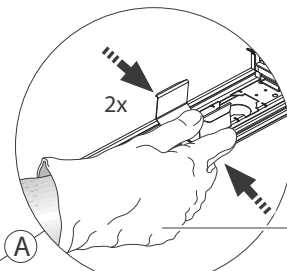
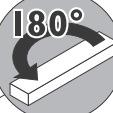
max. 30 kg

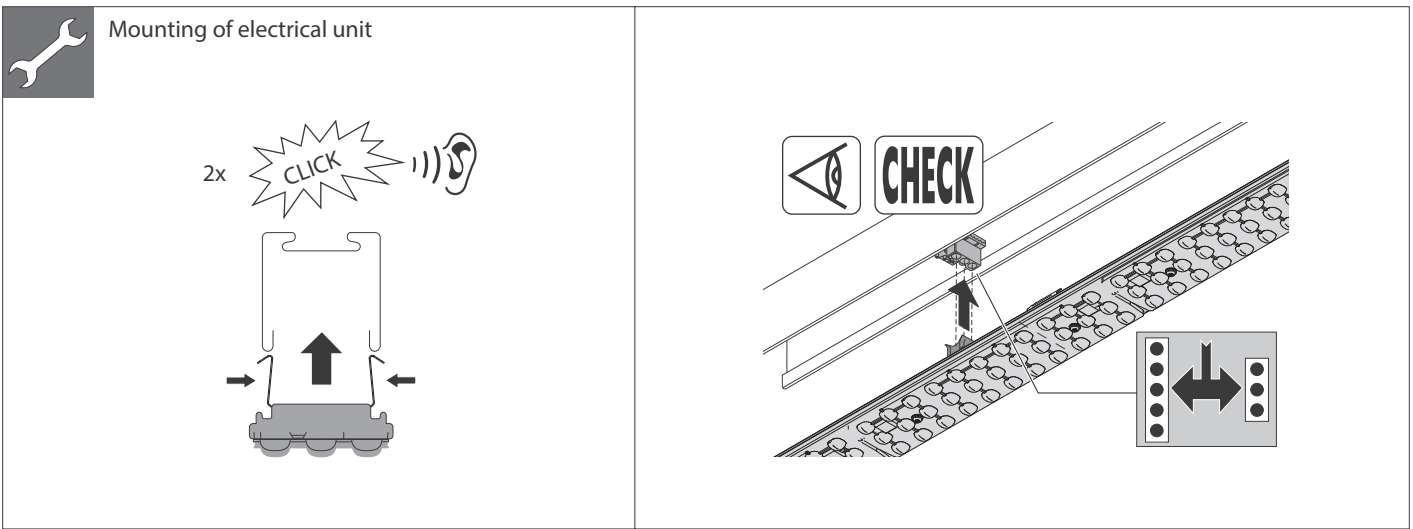
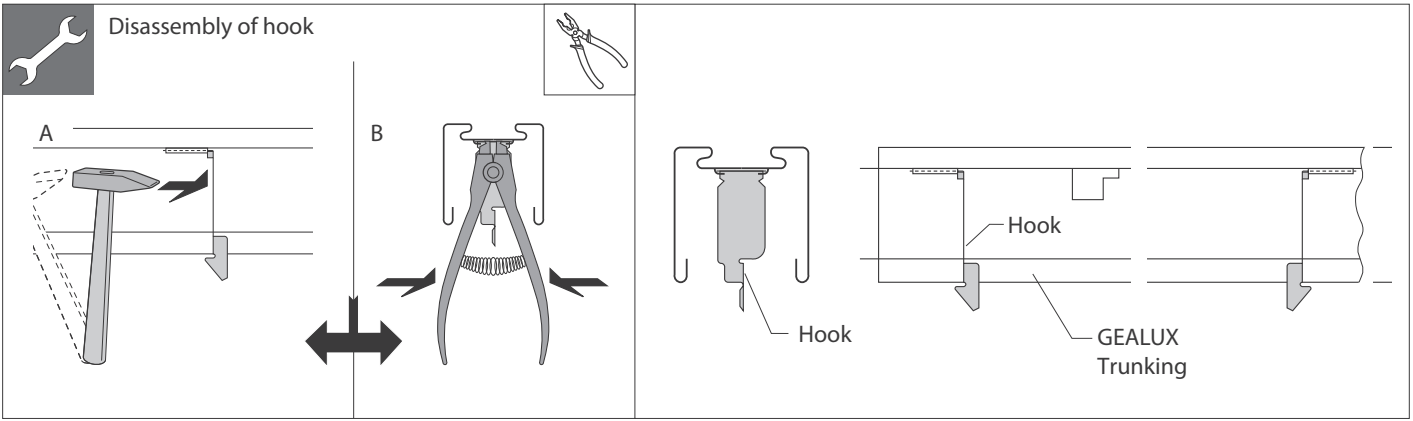
Trunking  
4MX056 (TLD) /  
4MX656 (TL5)



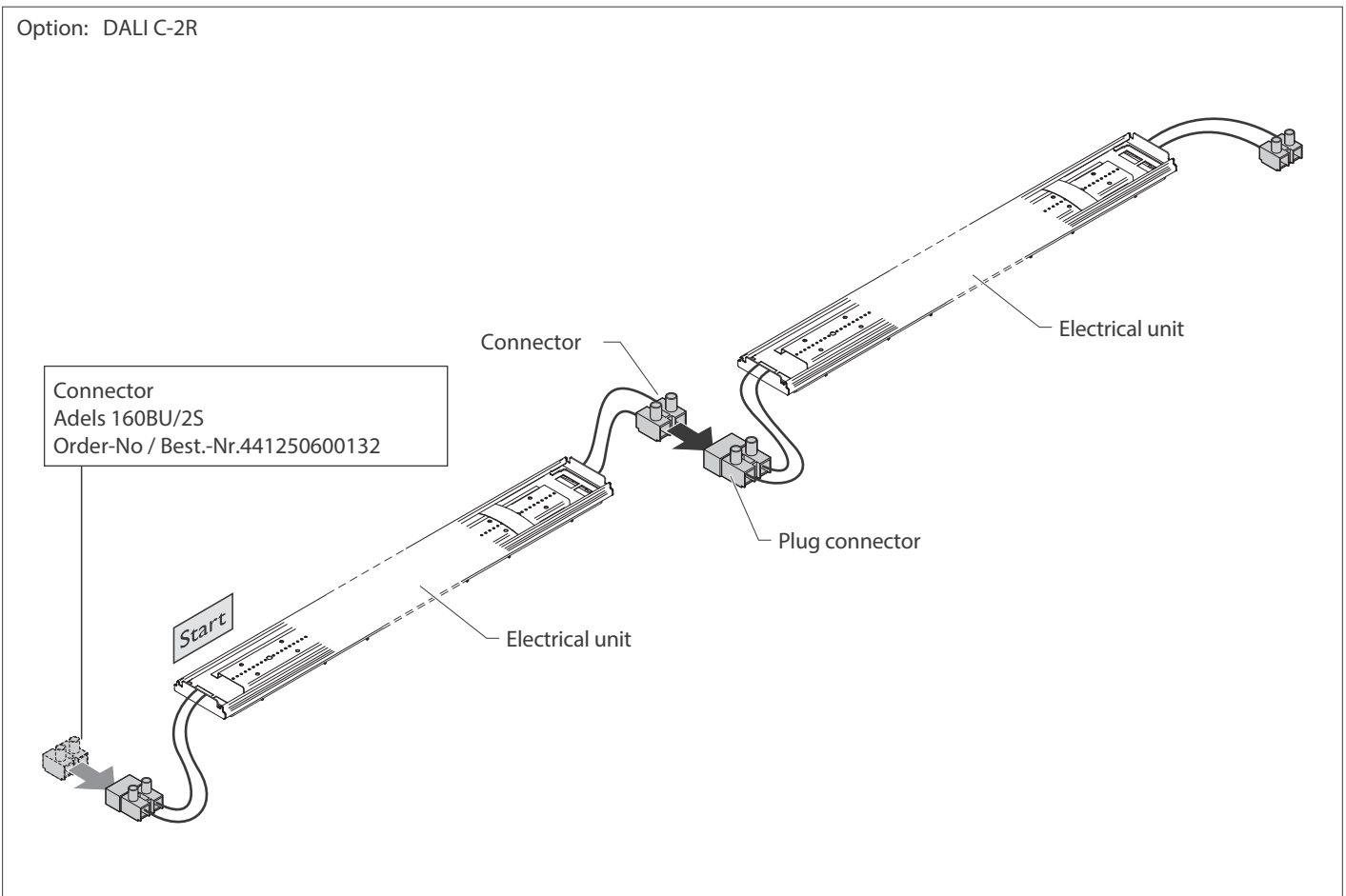
max. 30 kg

Start






Option: DALI C-2R



Given the choices made in this unique lighting concept, there are a few instructions regarding the maintenance.

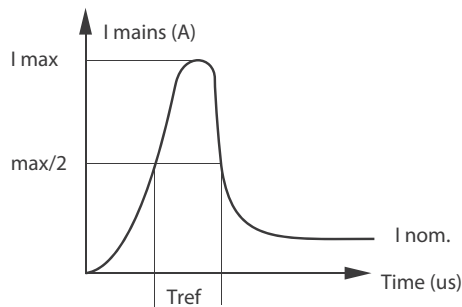
- Prevent water from entering on or in the luminaire at installation and during use of the luminaire
- During installation or maintaining the luminaire please use gloves to avoid spots on the cover.
- Do not clean with a dry cloth as it will cause the product to attract dust. Dirty spots can be removed:
  - Only dust: use a dampened cloth (no dripping water), preferably anti-static.
  - Fingerprints etc: use a dampened cloth (no dripping water) with a cleaner appropriate for polycarbonate/PMMA plastics
- Do not touch electronic components as they are ESD sensitive.
- Do not stare into LED beam.
- Luminaire should not be used for illumination during building activities. due to dust accumulation inside the luminaire.





**LASER RADIATION**  
 AVOID DIRECT EYE EXPOSURE  
 CLASS 2M LASER PRODUCT  
 210J/M<sup>2</sup>/10S 443.533.552nm  
 wg PN-EN 60825-1 -2005

Inrush current



	PSD	PSU
I <sub>max</sub> (A)	21	17,8
T <sub>ref</sub> (μs)	280	282
MCB	Drivers Max.	
B-10 A	14	14
B-16 A	24	24
C-10 A	24	24
C-16 A	40	40



© 2019 Signify Holding

All rights reserved. This document contains information relating to the product portfolio of Signify which information may be subject to change. No representation or warranty as to the accuracy or completeness of the information included herein is given and any liability for any action in reliance thereon is disclaimed. The information presented in this document is not intended as any commercial offer and does not form part of any quotation or contract. Philips and the Philips Shield Emblem are registered trademarks of Koninklijke Philips N.V.. All other trademarks are owned by Signify Holding or their respective owners.

Signify Holding.  
The Netherlands