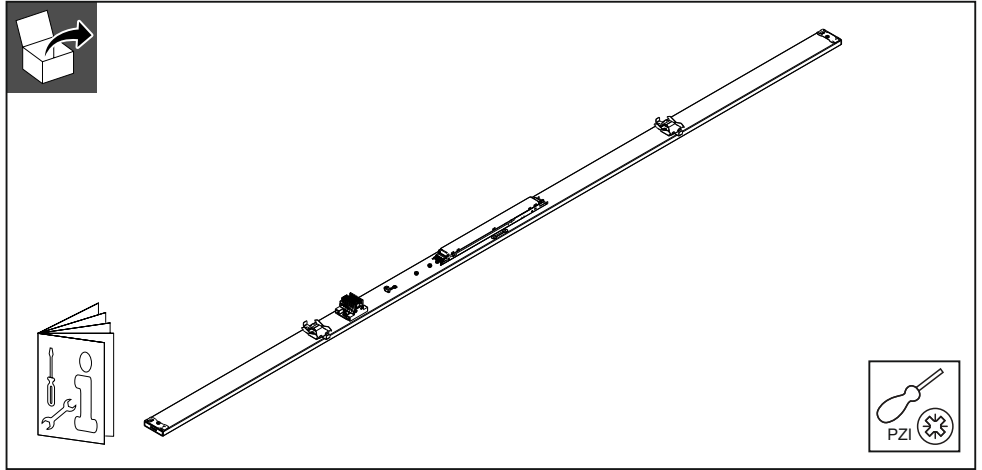


PHILIPS

Maxos Fusion

LL500X / LL600X



50Hz
60Hz

220V
240V



LEDs

IP54
LL600X

IP20
LL500X

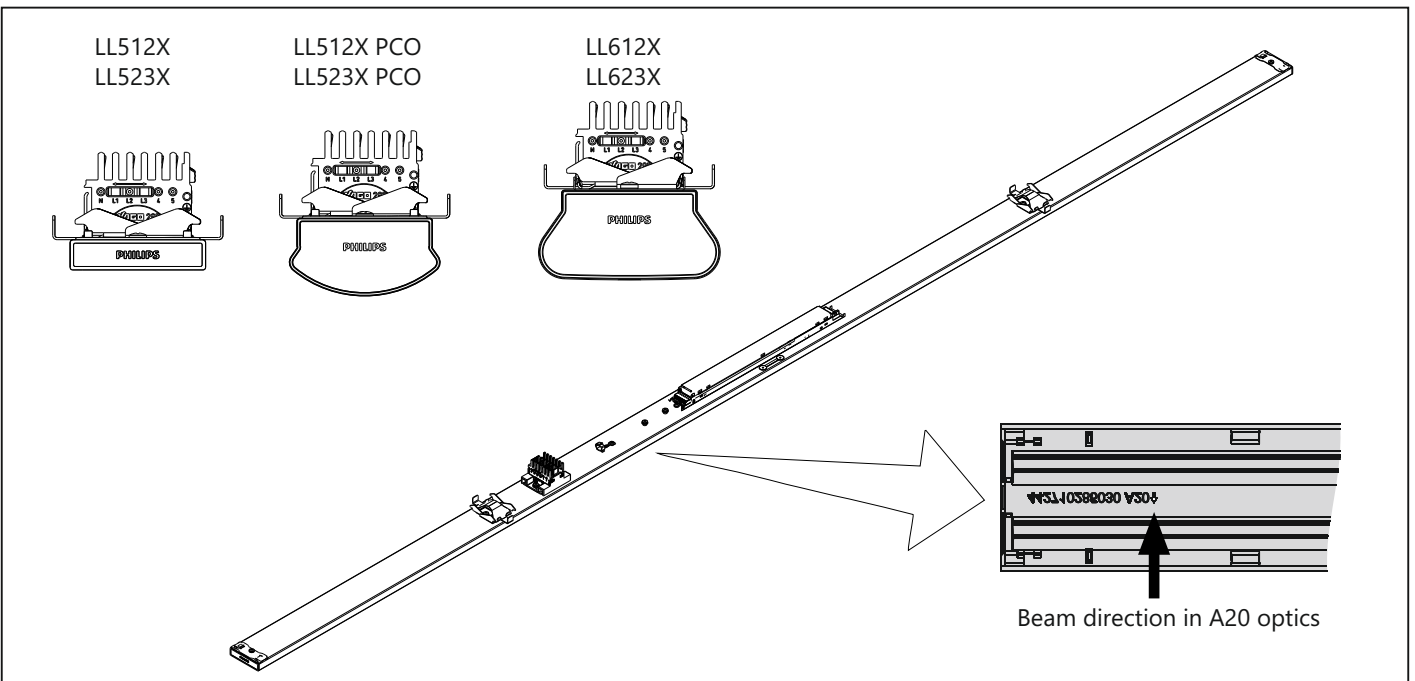
IK02

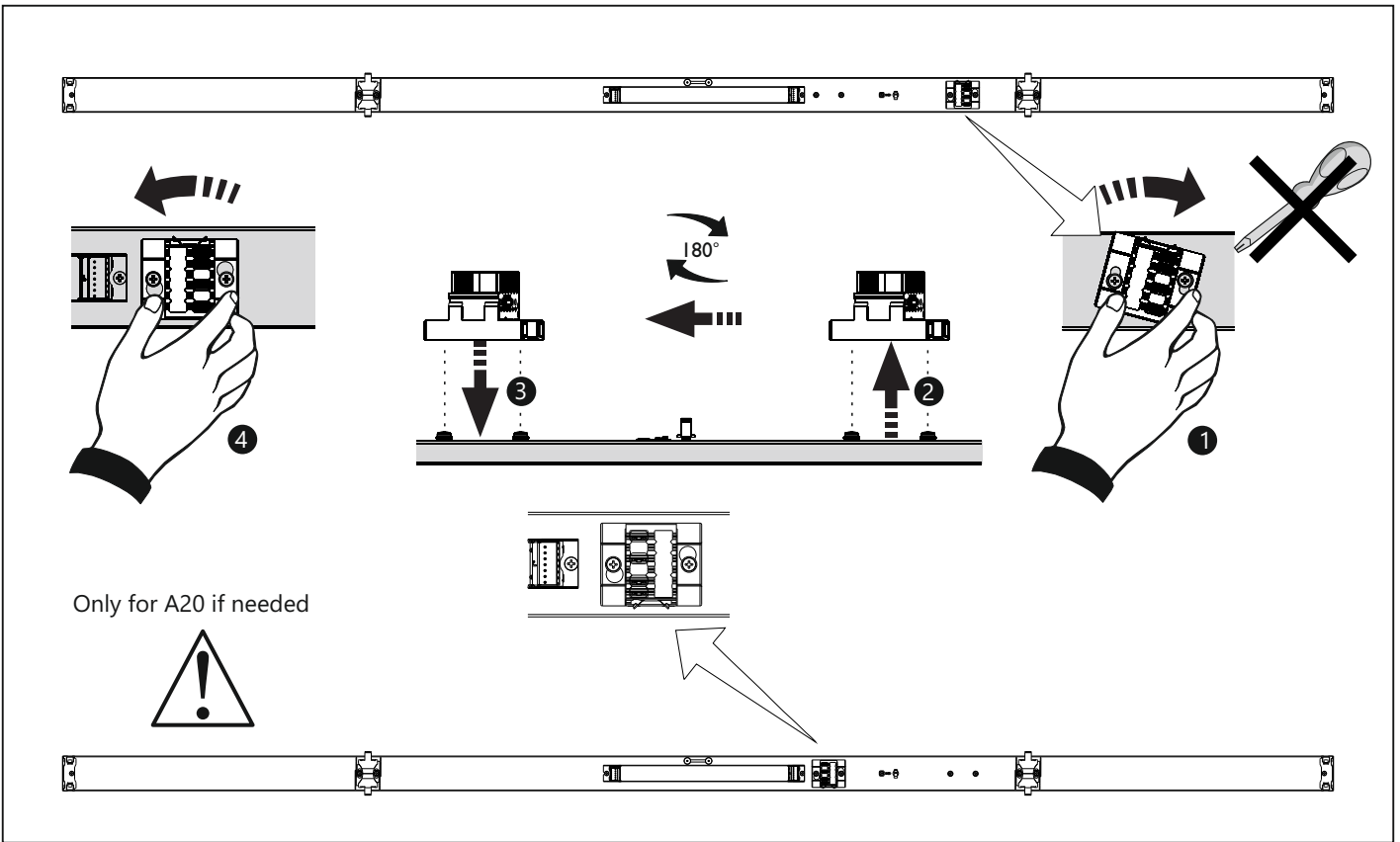


| | L(mm) | LED31S PSD/SR P(W) | LED50S PSD/SR P(W) | LED61S PSD/SR P(W) | LED62S PSD/SR P(W) | LED100S PSD/SR P(W) | LED123S PSD/SR P(W) | LED160S PSD/SR P(W) | |
|--------|-------|--------------------------|--------------------------|--------------------------|--------------------------|---------------------------|---------------------------|---------------------------|------|
| LL512X | 1138 | 21 | 36 | 45 | | | | | 1.30 |
| LL523X | 2276 | | | | 41 | 71 | 89 | 127 | 2.40 |
| LL612X | 1257 | 21 | 36 | 45 | | | | | 4.25 |
| LL623X | 2395 | | | | 41 | 71 | 89 | | 6.00 |

Emergency Lighting PSED / SRED Versions

| | LED31S | LED50S | LED50S XT | LED61S | LED61S XT | LED62S | LED100S LED100S XT | LED123S LED123S XT | LED160S LED160S XT |
|-----------------------|-------------|--------|-----------|--------|-----------|--------|-----------------------|-----------------------|-----------------------|
| Driver Type | 35W | 35W | Xit 100W | 60W | Xit 100W | 60W | Xit 100W | Xit 100W | Xit 150W |
| AC Lument output [lm] | 3100 | 5000 | | 6100 | | 6200 | 10000 | 12300 | 16000 |
| AC Power [W] | 21 | 36 | 36 | 45 | 45 | 41 | 71 | 89 | 127 |
| DC Lumen Output [lm] | 465 | 750 | 750 | 915 | 915 | 930 | 1500 | 1845 | 2400 |
| DC Power [W] | 3 | 5 | 5 | 7 | 7 | 6 | 11 | 13 | 19 |
| DC Voltage Range [V] | 168 ... 275 | | | | | | | | |
| PSED / SRED FUSE | 1 x 0.8A | | | | | | | | |





Phase Selection
L1 / L2 / L3

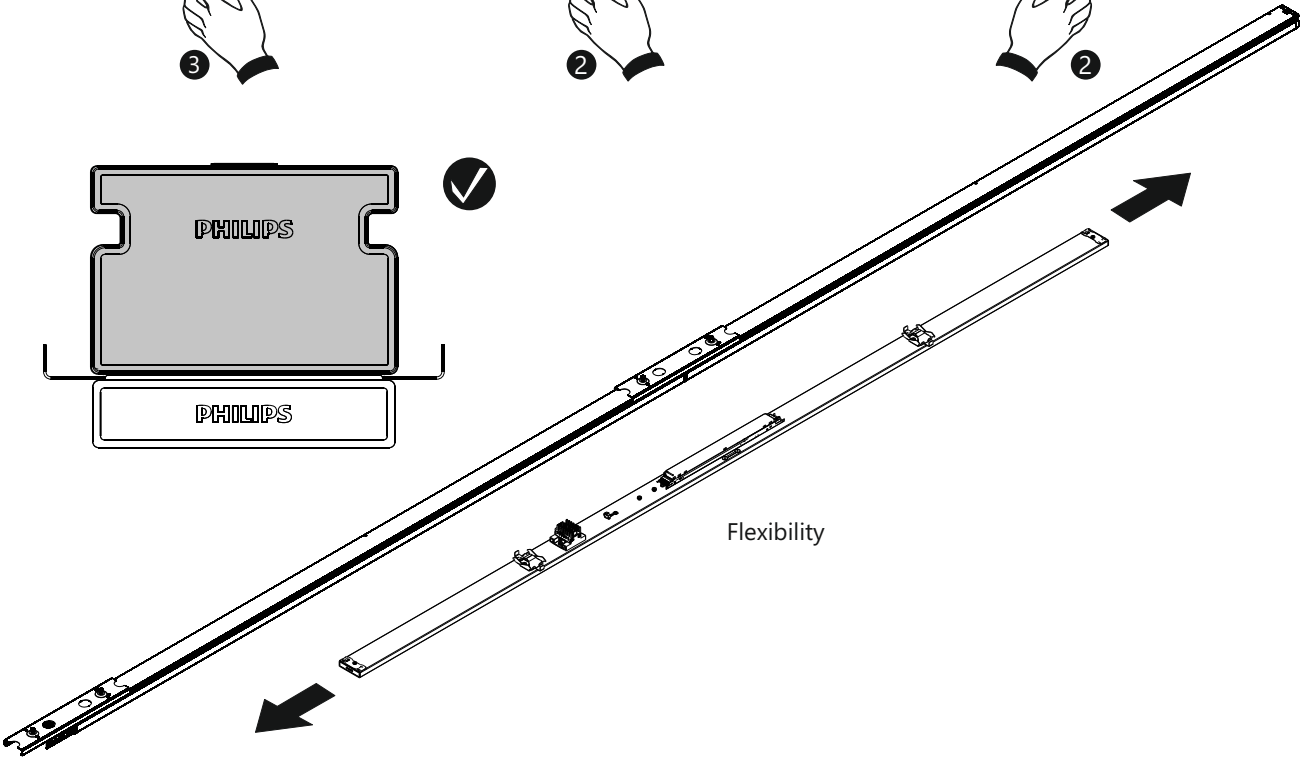
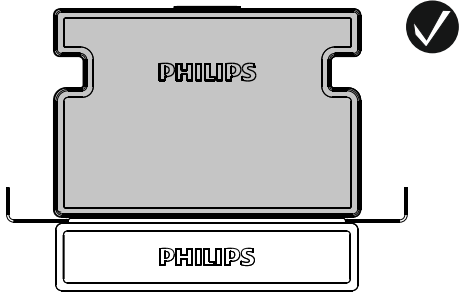
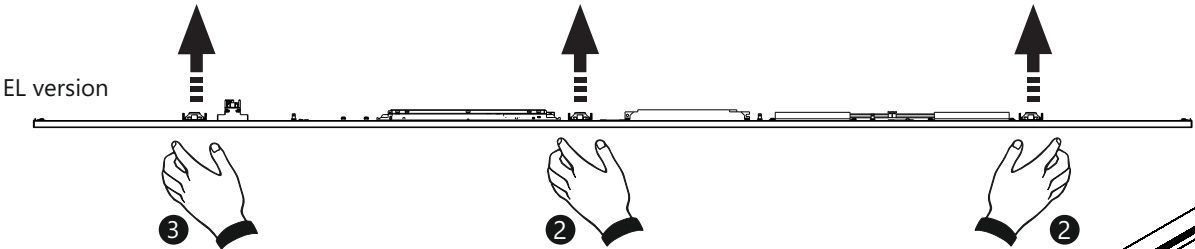
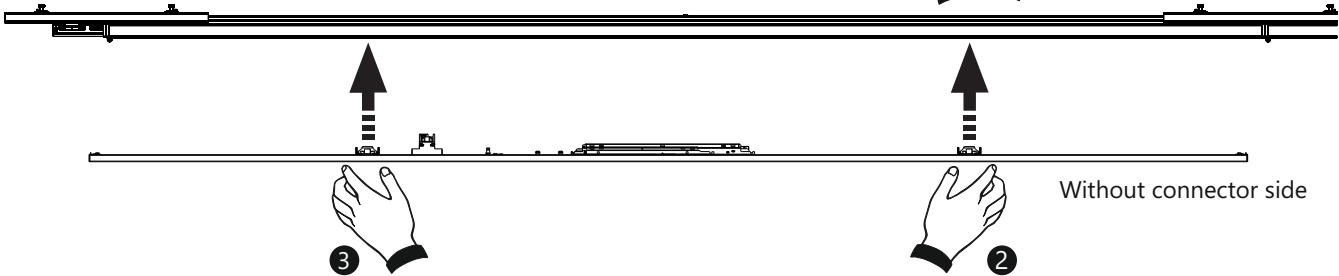
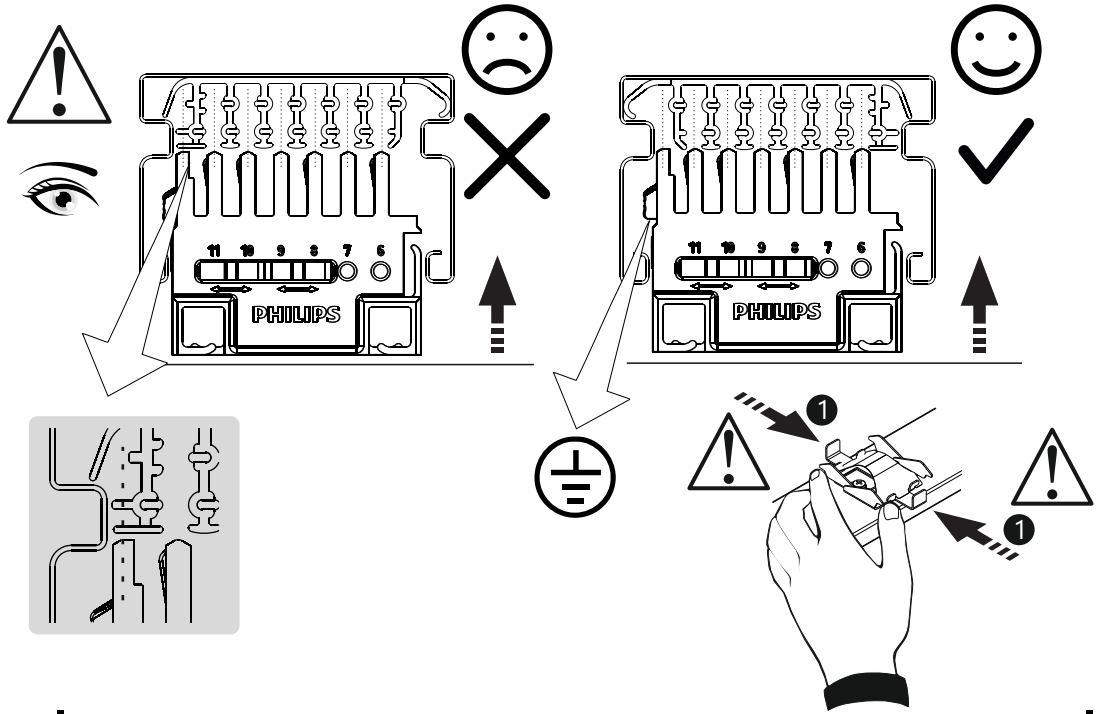
FRONT SIDE

BACK SIDE

| | PE | N | FRONT SIDE | | | BACK SIDE | | | | | | Trunk Compatibility | | | | |
|----------------------|----|---|------------|----|----|-----------|---------|---|---|----------------------|---|---------------------|----|------------|------------|-------------|
| | | | L1 | L2 | L3 | 4 | 5 | 6 | 7 | 8 | 9 | 10 | 11 | LL...T7... | LL...T9... | LL...T13... |
| PSD7 / SR7 | PE | N | ← L → | → | | DA+/SR+ | DA-/SR- | | | | | | | ✓ | ✓ | ✓ |
| PSD13 ELP / SR13 ELP | PE | N | ← L → | → | | DA+/SR+ | DA-/SR- | | | LL / NN ** | | | ✗ | ✓*** | ✓ | ✓ |
| PSD13 ELD / SR13 ELD | PE | N | ← L → | → | | DA+/SR+ | DA-/SR- | | | LL, NN / DA+, DA- ** | | | ✗ | ✗ | ✓ | ✓ |
| PSED7 / SRED7 | PE | N | ← L → | → | | DA+/SR+ | DA-/SR- | | | | | | | ✓ | ✓ | ✓ |
| PSED13 / SRED13 | PE | * | ← * → | → | | DA+/SR+ | DA-/SR- | | | * | | | | ✗ | ✓*** | ✓ |

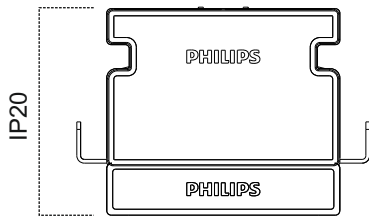
* Wires to be connected by installer (available PINs: N, L1-L3, 6-11)
 ** Wires to be connected by installer (available PINs: 6-11)
 *** Available lines in trunk (N, L1-L3, 4, 5, 6, 7)

| | LED31S | LED50S | LED50S XT | LED61S | LED61S XT | LED62S | LED100S | LED123S | LED160S | |
|-----------------------|------------------|---------------|--------------------|---------------|--------------------|---------------|----------------------------------|----------------------------------|----------------------------------|--|
| Driver Type | 35W PSD SR | 35W PSD SR | Xit 100W PSD/SR | 60W PSD SR | Xit 100W PSD/SR | 60W PSD SR | LED100S XT Xit 100W PSD/SR | LED123S XT Xit 100W PSD/SR | LED160S XT Xit 150W PSD/SR | |
| I _{max} (A) | 21 | 21 | 4.5 | 21 | 4.5 | 21 | 4.5 | 4.5 | 5.1 | |
| T _{ref} (μs) | 280 | 280 | 1000 | 280 | 1000 | 280 | 1000 | 1000 | 760 | |
| MCB | Max No Of Panels | | | | | | | | | |
| B 10A | 15 13 | 15 13 | 11 | 15 13 | 11 | 15 13 | 11 | 11 | 7 | |
| B 13A | 19 17 | 19 17 | 14 | 19 17 | 14 | 19 17 | 14 | 14 | 9 | |
| B 16A | 24 21 | 24 21 | 18 | 24 21 | 18 | 24 21 | 18 | 18 | 12 | |
| B 20A | 30 26 | 30 26 | 22 | 30 26 | 22 | 30 26 | 22 | 22 | 15 | |
| B 25A | 37 32 | 37 32 | 28 | 37 32 | 28 | 37 32 | 28 | 28 | 18 | |
| C 10A | 24 21 | 24 21 | 18 | 24 21 | 18 | 24 21 | 18 | 18 | 12 | |
| C 13A | 32 28 | 32 28 | 24 | 32 28 | 24 | 32 28 | 24 | 24 | 16 | |
| C 16A | 40 35 | 40 35 | 30 | 40 35 | 30 | 40 35 | 30 | 30 | 20 | |
| C 20A | 49 43 | 49 43 | 37 | 49 43 | 37 | 49 43 | 37 | 37 | 24 | |
| C 25A | 62 54 | 62 54 | 46 | 62 54 | 46 | 62 54 | 46 | 46 | 31 | |



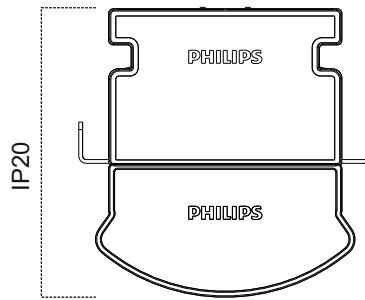
SYSTEM IP

LL500T + LL500X



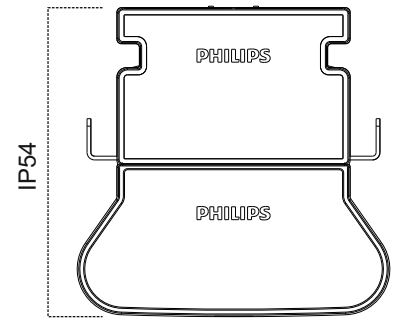
↑ ↑ ↑
IP53
OPTICAL AREA
ONLY

LL500T + LL500XPCO



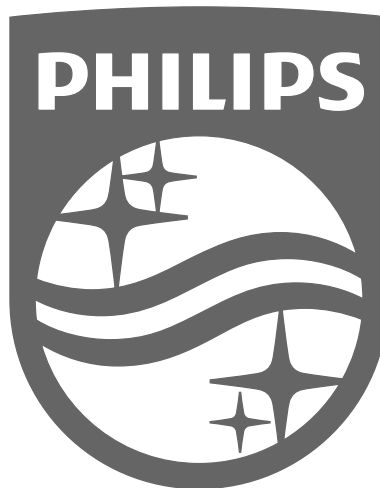
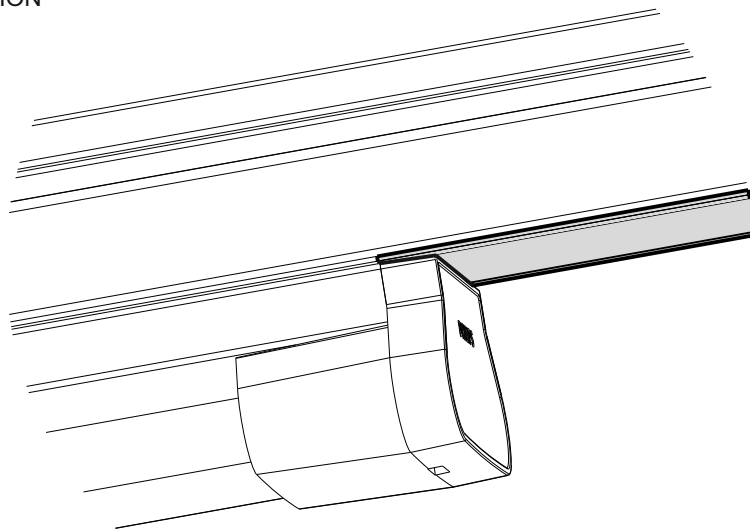
↑ ↑ ↑
IP54
OPTICAL AREA
ONLY

LL600T + LL600X



↑ ↑ ↑
IP65
OPTICAL AREA
ONLY

IP54 BLIND COVER POSITION



© 2019 Signify Holding.

All rights reserved. This document contains information relating to the product portfolio of Signify which information may be subject to change. No representation or warranty as to the accuracy or completeness of the information included herein is given and any liability for any action in reliance thereon is disclaimed. The information presented in this document is not intended as any commercial offer and does not form part of any quotation or contract. Philips and the Philips Shield Emblem are registered trademarks of Koninklijke Philips N.V.. All other trademarks are owned by Signify Holding or their respective owners.

Signify Holding.
The Netherlands