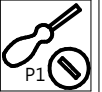
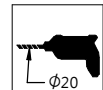
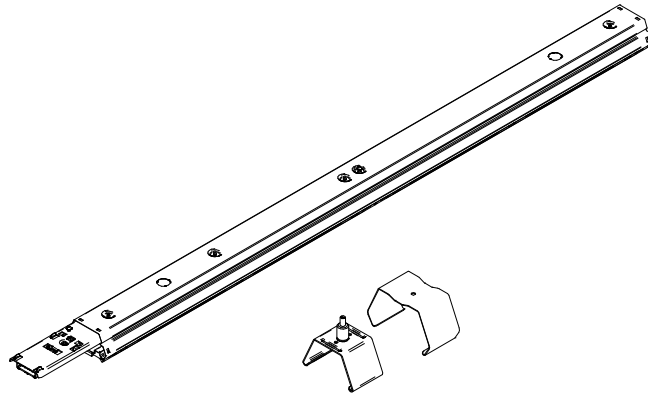
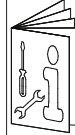


PHILIPS

CoreLine Trunking Gen2

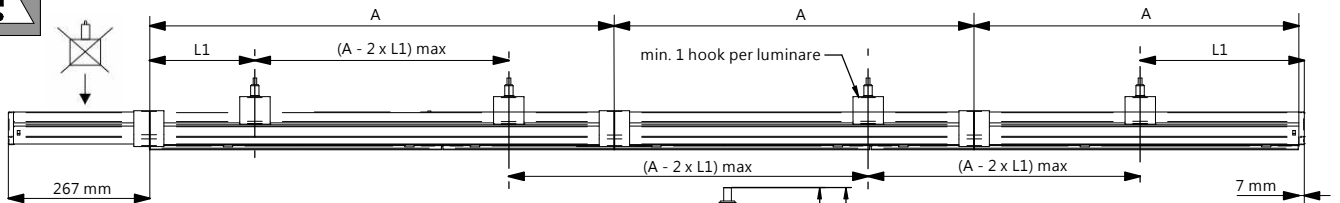
LL212X, LL217X, LL234X



GLOW WIRE
850°C



Prevent water from entering on or in the luminaire at installation and during use of the luminaire.

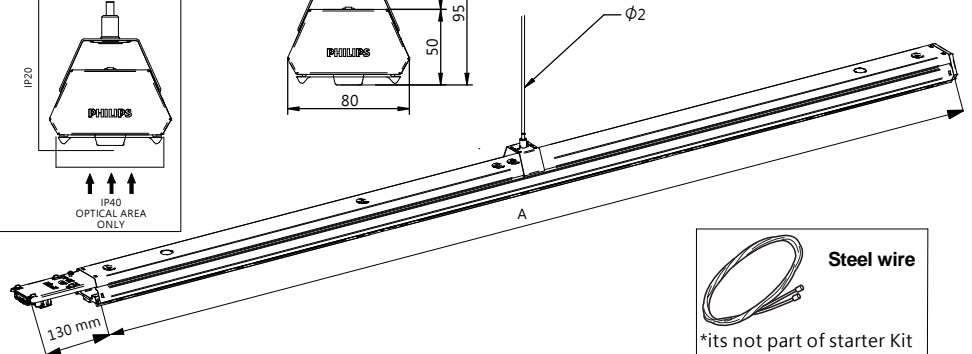
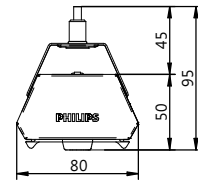
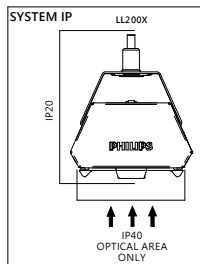


STARTER KIT

max 2,5 mm²

5 and 7 wires 9 wires

Starter kit is ordered separately depending on the matching version

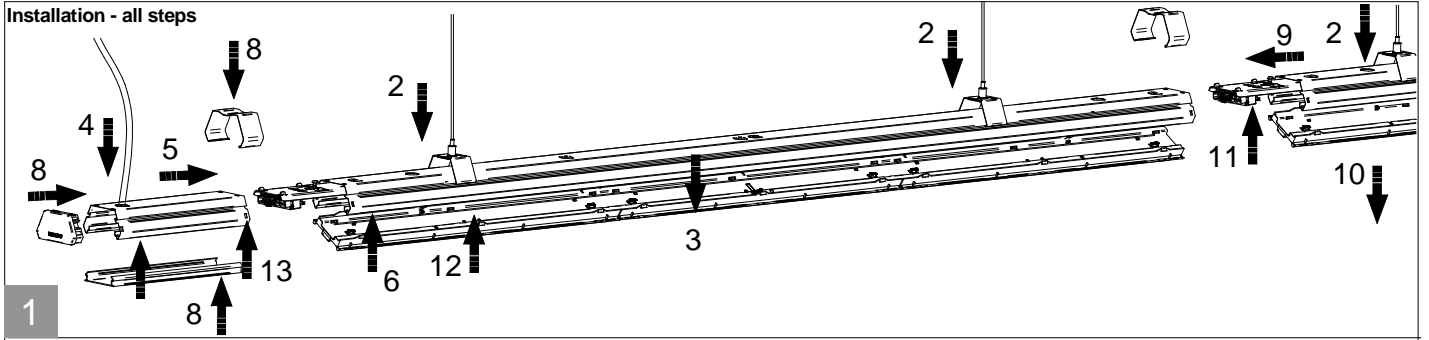


Steel wire

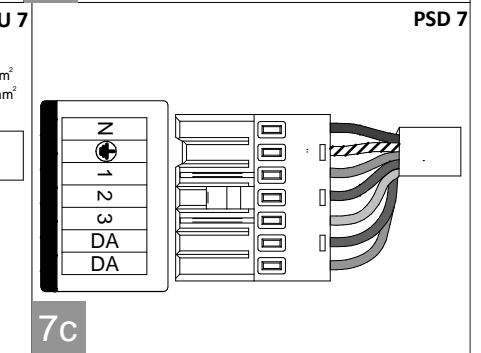
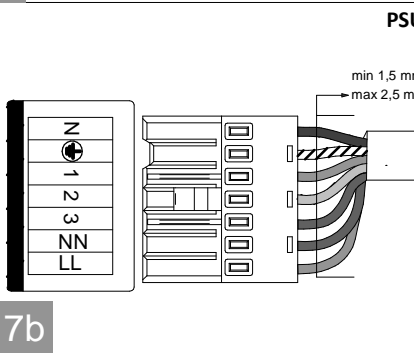
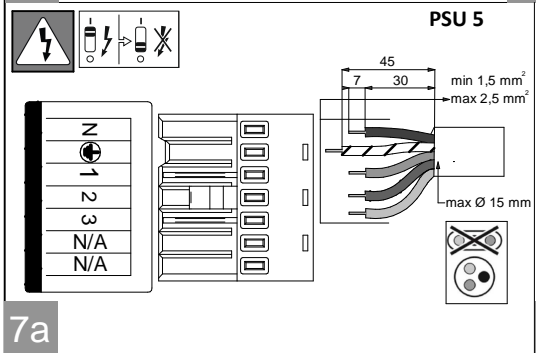
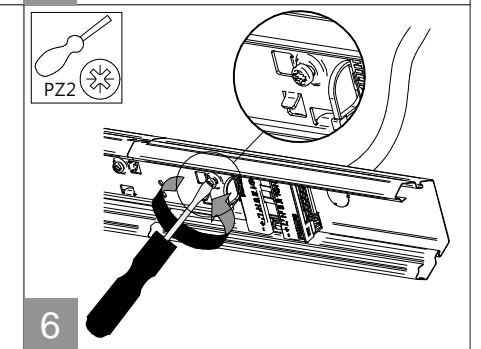
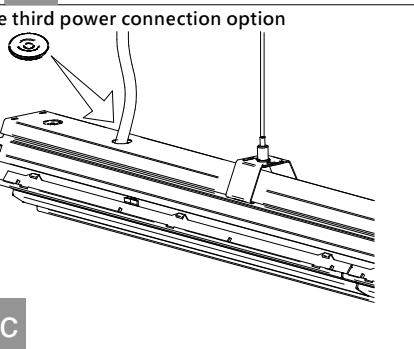
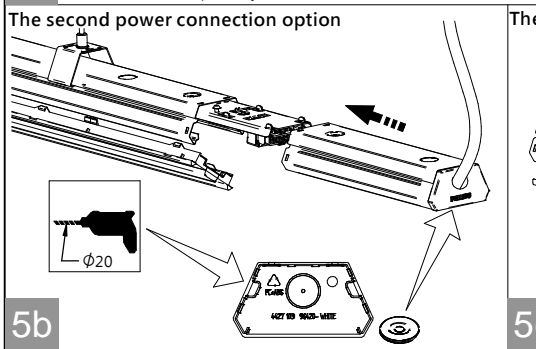
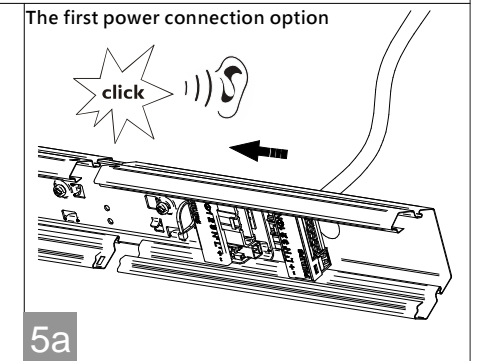
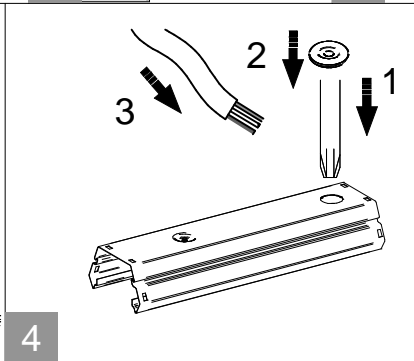
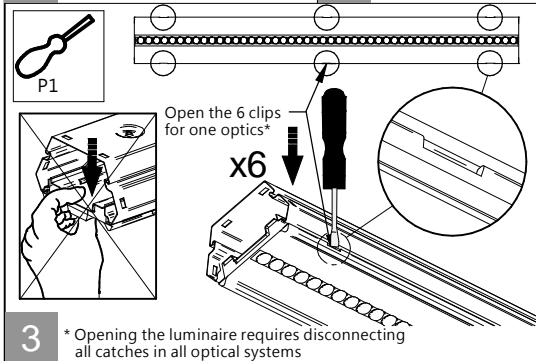
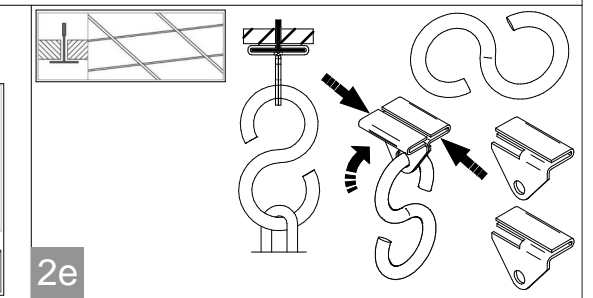
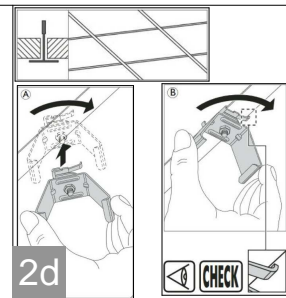
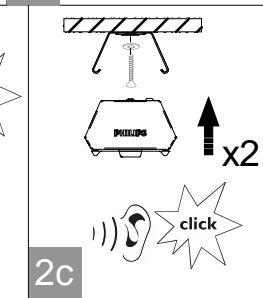
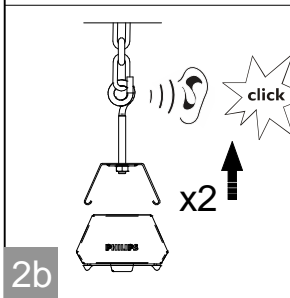
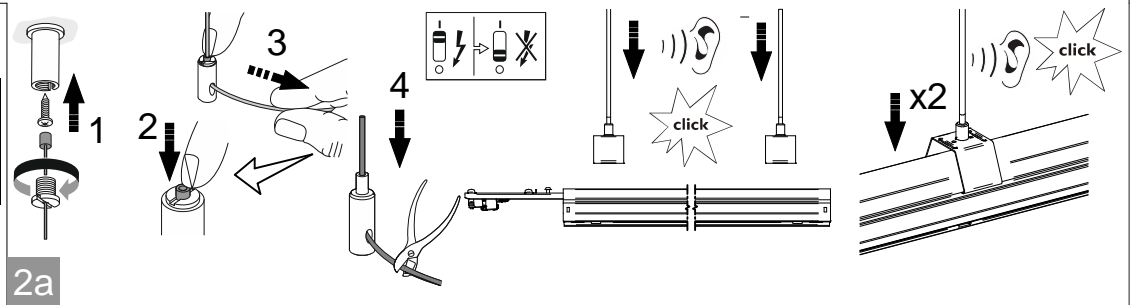
*its not part of starter Kit
*can be ordered as an accessory

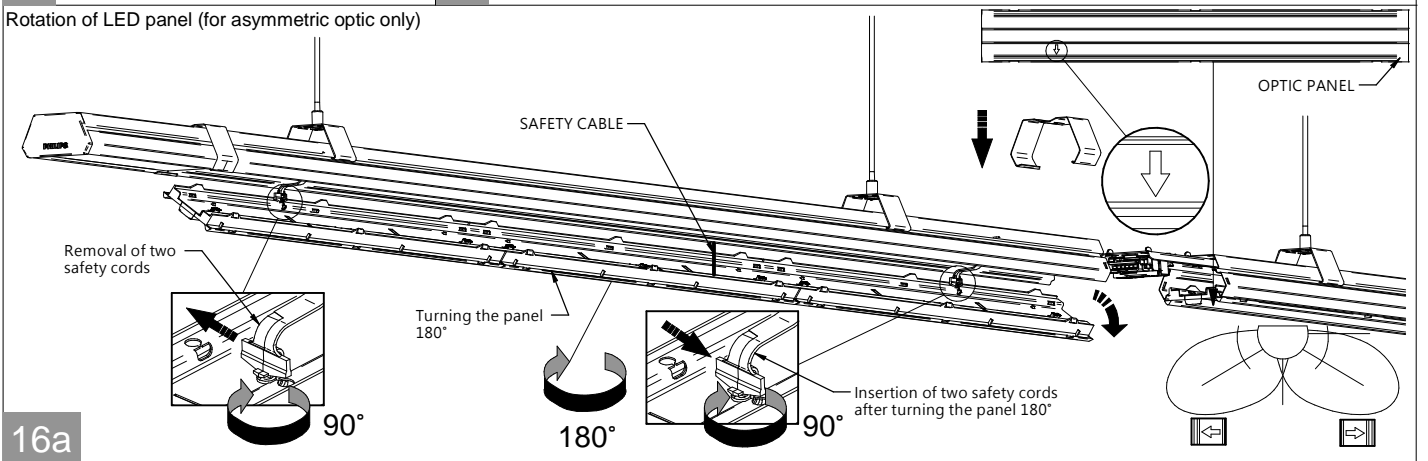
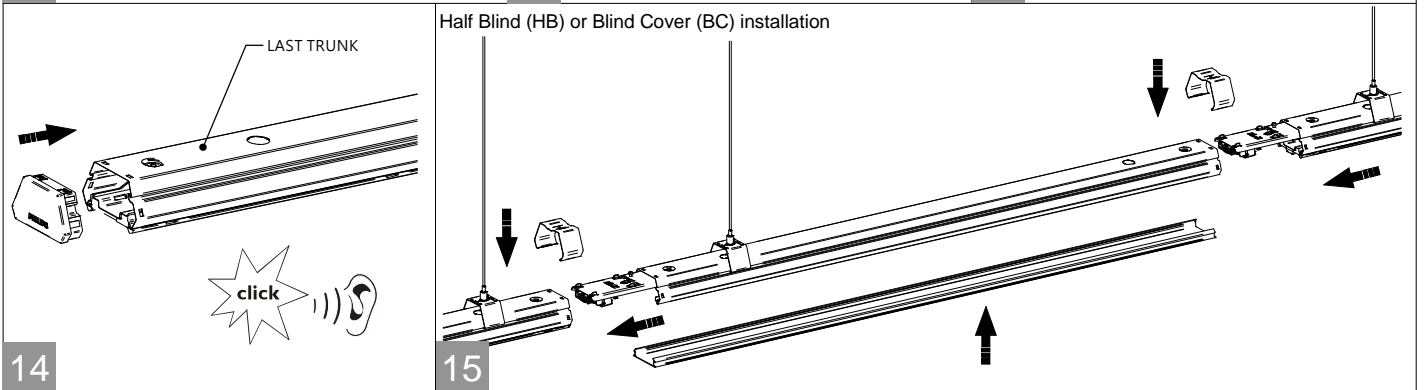
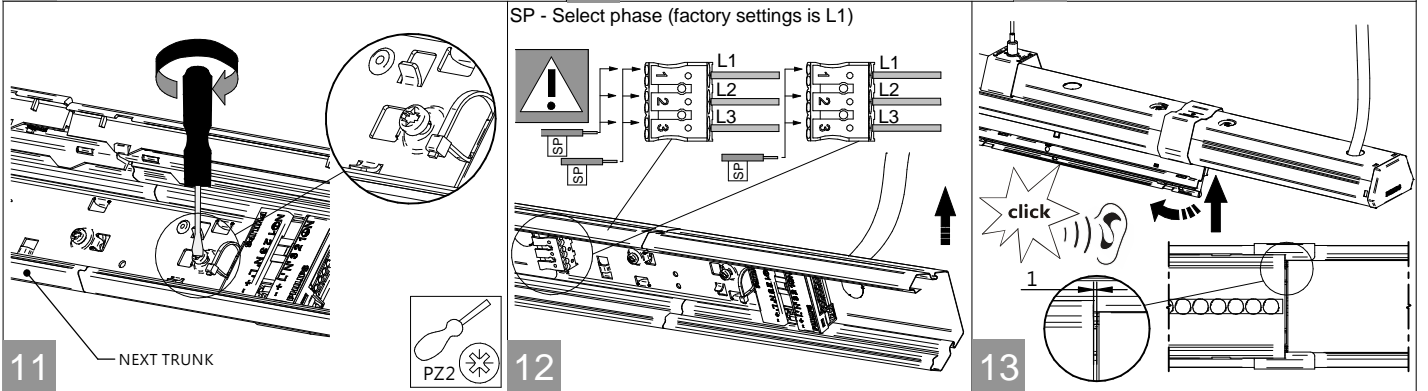
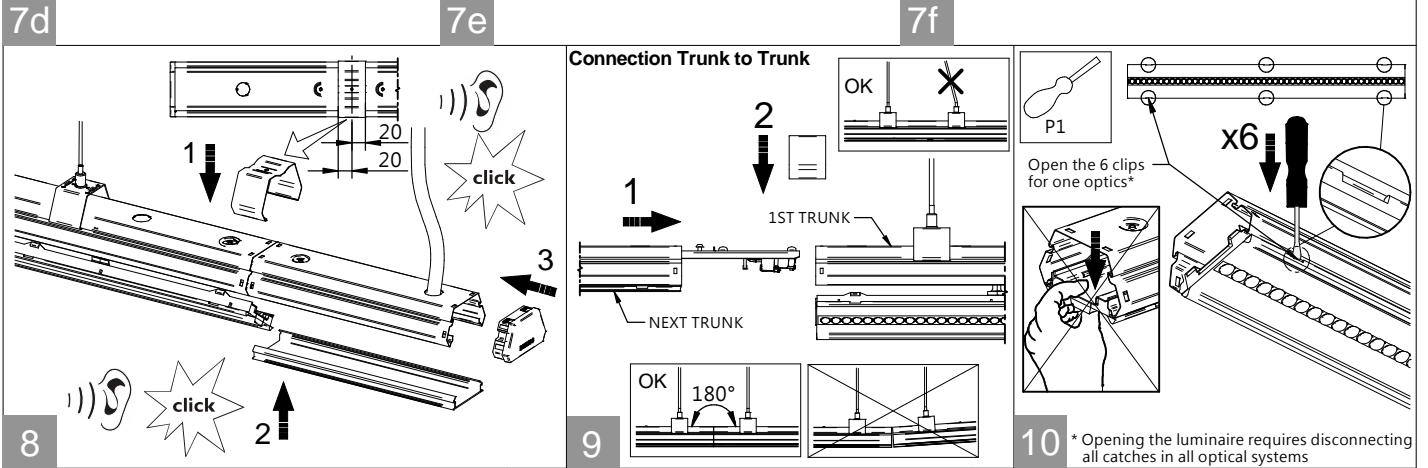
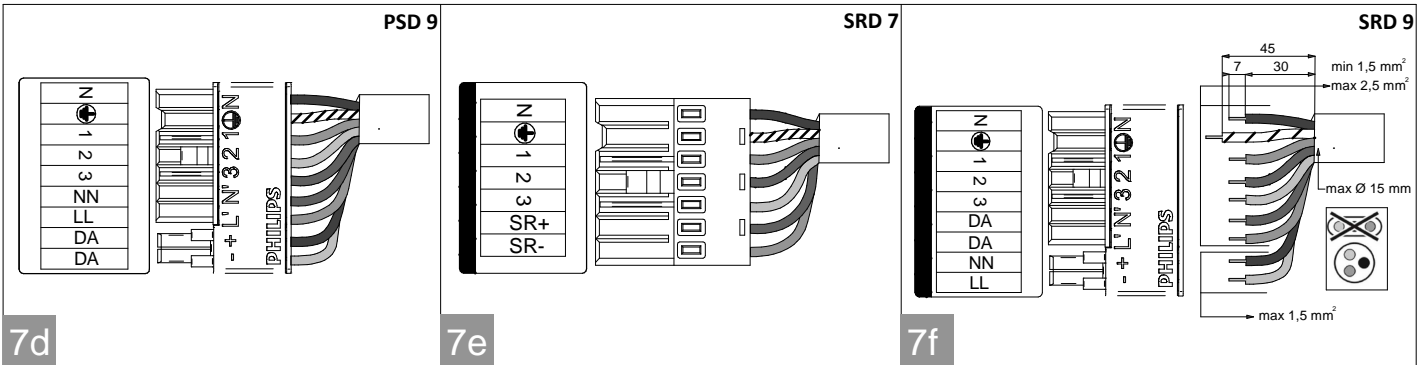
Luminaire type	System flux [lm]	Wattage [W]	A [mm]	L1 [mm]	kg
LL212X	30S PSU	3.000	1130	200 - 400	2,3
	53S PSU N/HE	5.300			2,3
	80S PSU N/HE	8.000			2,3
	30S PSD/SRD	3.000			2,4
	53S PSD/SRD N/HE	5.300			2,4
	80S PSD/SRD N/HE	8.000			2,4
LL217X	45S PSU N/HE	4.500	1700	500 - 800	2,8
	80S PSU	8.000			2,8
	120S PSU N/HE	12.000			2,8
	45S PSD/SRD	4.500			2,9
	80S PSD/SRD N/HE	8.000			2,9
	120S PSD/SRD N/HE	12.000			2,9
LL234X	90S1xPSU	9.000	3400	500 - 800	5,4
	160S 1xPSU	16.000			5,4
	240S 1xPSU	24.000			5,4
	90S 2xPSU	9.000			5,5
	160S 2xPSU N/HE	16.000			5,5
	240S 2xPSU N/HE	24.000			5,5
	90S 1xPSD/SRD	9.000			5,4
	90S 2xPSD/SRD	9.000			5,4
	160S 1xPSD/SRD N/HE	16.000			5,6
	160S 2xPSD/SRD N/HE	16.000			5,7
	240S 1xPSD/SRD	24.000			5,7
	240S 2xPSD/SRD N/HE	24.000			5,8

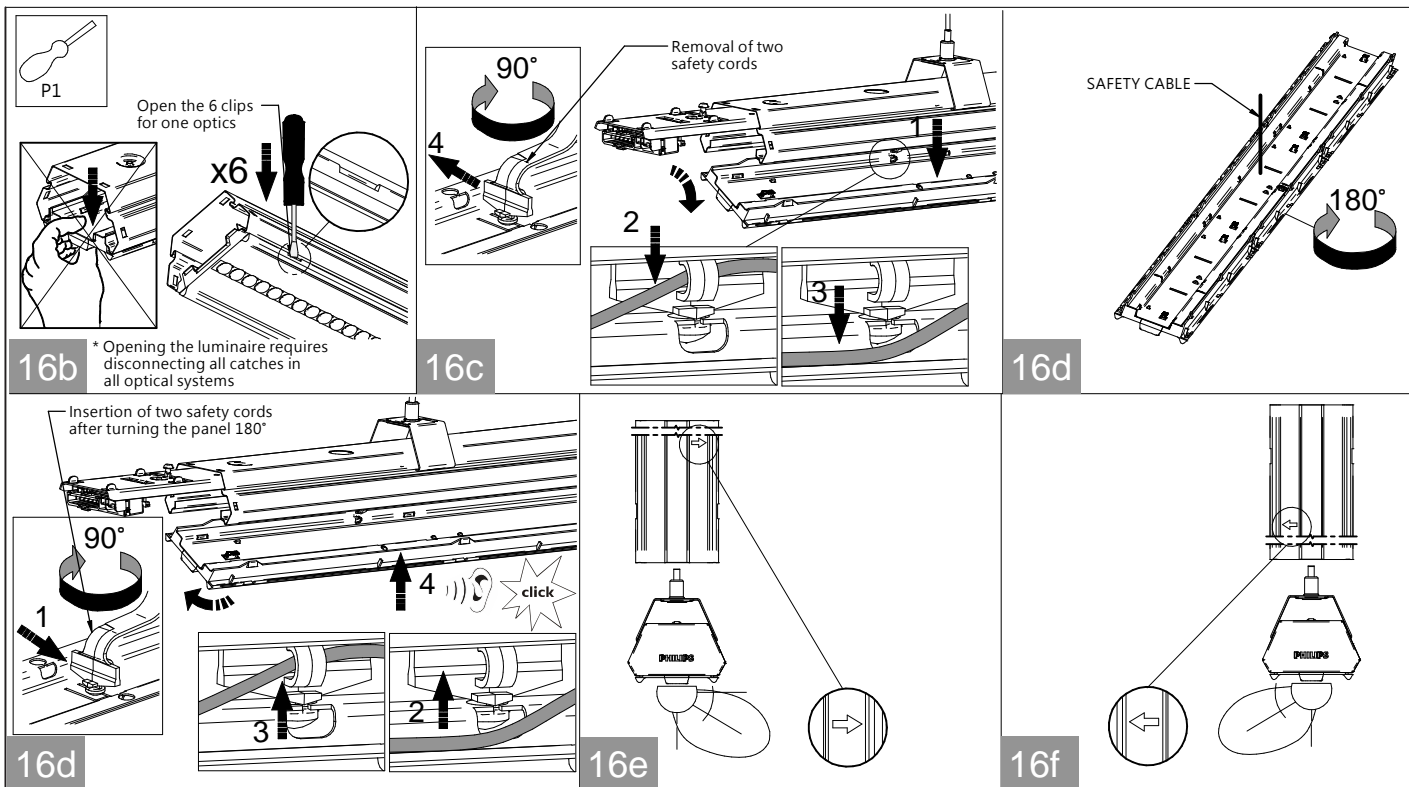
Installation - all steps



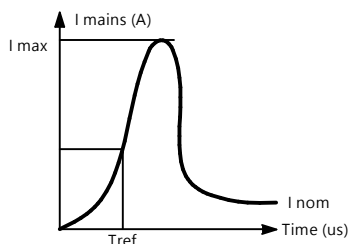
Drawing	Accessories
2a	LL200Z MB-SW
2b	LL200Z CB
2c	LL200Z SMB
2d	LL200Z PB
2e	LL200Z SMB-TPM SET







Inrush current



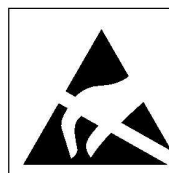
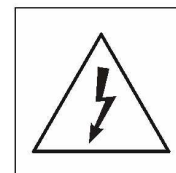
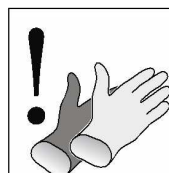
TYPE	535 1xPSU (36W)	305/455 1xSRD (35W)	905 2x SRD (35W)	305/455 1xPSD (35W)	905 2xPSD (35W)	305/455/535/805 1xPSD (60W)	905 1605 2xPSD (60W)	535/805 1xSRD (60W)	1605 2xSRD (60W)	455/805 1xPSU (75W)	905/1605 2xPSU (75W)	805/1205 1xPSU (100W)	2405 2xPSU (100W)	805/905/1205 1xPSD (100W)	2405 2xPSD (100W)	805/905/1205 1xSRD (100W)	2405 2xSRD (100W)	805/1205/1605 1xPSD (150W)	2405 2xPSD (150W)	1605 1xSRD (150W)
I _{max} [A]	14,0	21,0	42,0	23,1	46,2	25,1	50,2	21,0	42,0	19,0	38,0	22,5	45,0	10,0	20,0	4,5	9,0	5,1	10,2	5,1
T _{ref} [µs]	250	280	280	221	221	214	214	280	280	280	280	30	30	35,9	35,9	1000	1000	760	760	760
cable Ø [mm ²]	1,5 / 2,5*																			
MCB B-6A	13/13	8/8	4/4	8/8	4/4	8/8	4/4	8/8	4/4	9/9	4/4	9/9	4/4	7/7	3/3	7/7	3/3	6/6	3/3	4/4
MCB B-10A	20/20	13/13	6/6	13/13	6/6	13/13	6/6	13/13	6/6	15/15	7/7	14/14	7/7	11/11	5/5	11/11	5/5	10/10	5/5	7/7
MCB C-10A	34/34	21/21	10/10	22/22	11/11	21/21	10/10	21/21	10/10	24/24	12/12	23/23	11/11	18/18	9/9	18/18	9/9	16/16	8/8	12/12
MCB B-13A	26/26	17/17	8/8	17/17	8/8	17/17	8/8	17/17	8/8	19/19	9/9	18/18	9/9	14/14	7/7	14/14	7/7	12/12	6/6	9/9
MCB C-13A	40/44	28/28	14/14	29/29	14/14	28/28	14/14	28/28	14/14	32/32	16/16	30/31	15/15	24/24	12/12	24/24	12/12	20/21	10/10	16/16
MCB B-16A	33/33	21/21	10/10	22/22	11/11	21/21	10/10	21/21	10/10	24/24	12/12	23/23	11/11	18/18	9/9	18/18	9/9	16/16	8/8	12/12
MCB C-16A	40/56	35/35	17/17	37/37	18/18	35/35	17/17	35/35	17/17	40/40	20/20	30/39	15/15	30/30	15/15	30/30	15/15	20/27	10/13	20/20

* Warning! The values on the left are for 1.5 mm thick cables, the values on the right are for 2.5 mm thick cables

Maintenance instructions

To assure the lighting quality of this unique LED lighting concept there are a few instructions regarding the maintenance of this LED luminaire:

- Do not touch electronic components!
Electronic components are under high voltage.
Electronic components are ESD sensitive.
- During installation or when maintaining the luminaire please use static free gloves to avoid marks on the luminaire.
- To remove dirt and spots use the following:
Dust: only use micro fiber cloths
Fingerprints, etc.: use a cleaner for synthetic materials with antistatic properties.
- Do not stare into the LED light beam.
- To avoid scratches and dirt on optical parts remove protective foil after installation.
- The luminaire shall be installed by a qualified electrician and wired in accordance with the latest IEE electrical regulations or the national requirements.
- The light source of this luminaire is not replaceable: when the light source reaches its end of life whole luminaire shall be replaced.
- Driver insulation: Basic according to IEC 61847-1.



ATTENTION
OBSERVE PRECAUTIONS
FOR HANDLING
ELECTROSTATIC
SENSITIVE
DEVICES