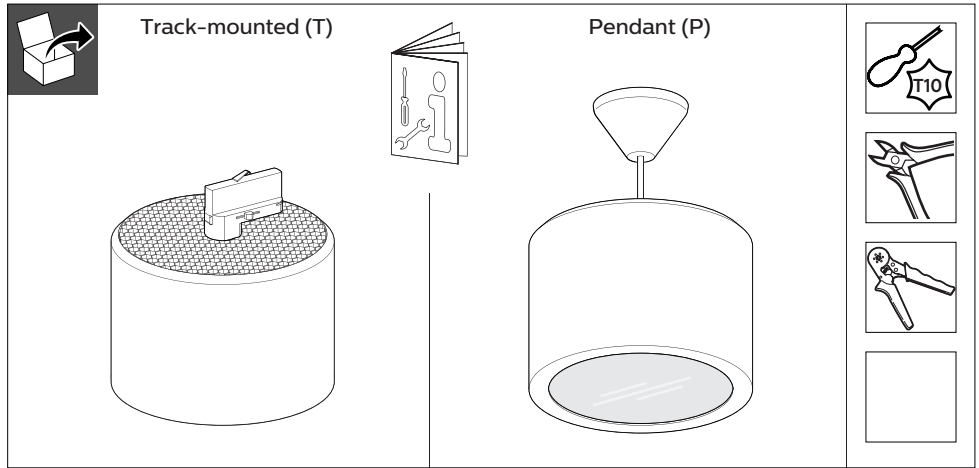


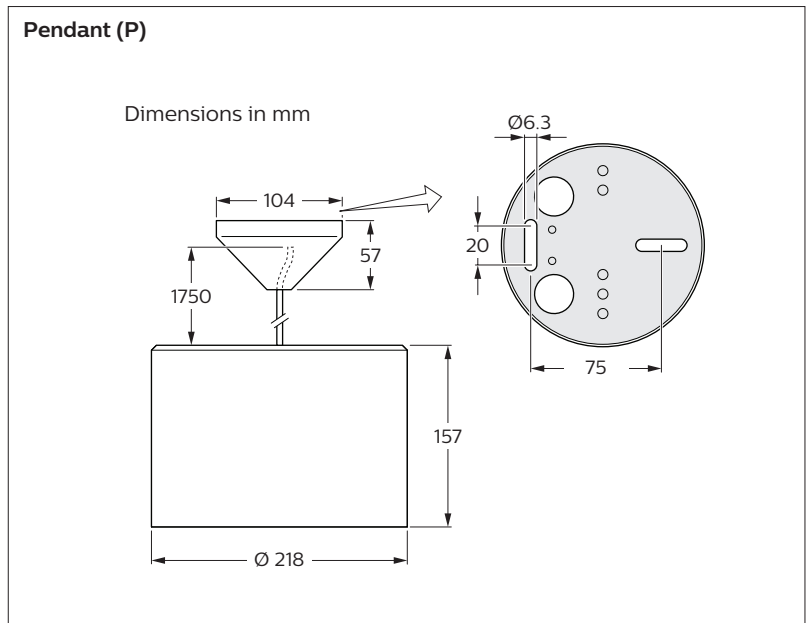
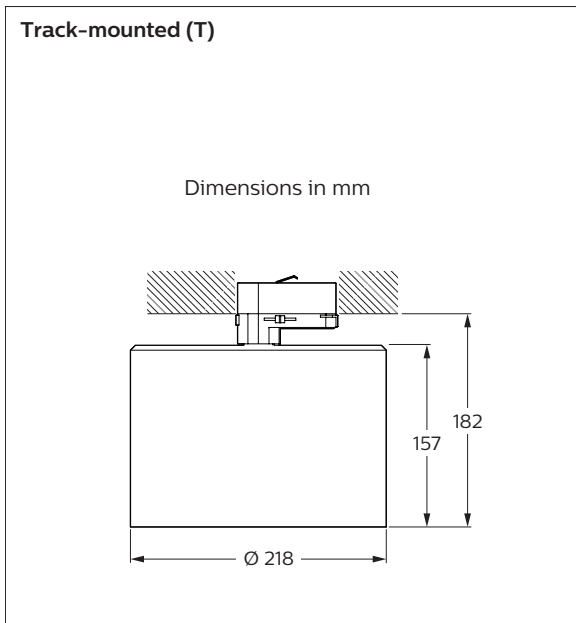
PHILIPS



GreenSpace

- Track mounted
- Pendant



	Lumen (lm)	CCT (K)	Power (W)	Driver	UGR	Through-wiring	kg
DN470T	2000	830	16.4	PSU	22	Yes	1.3
			16.2	DIA-VLC			
		840	16.4	PSU			
			16.2	DIA-VLC			
DN471P		830	16.4	PSU			
			16.2	DIA-VLC			
		840	16.4	PSU			
16.2	DIA-VLC						



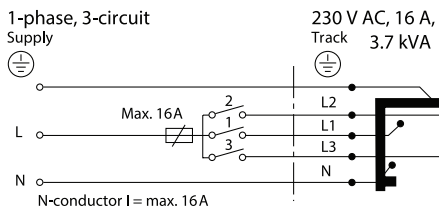
- 
- The luminaire shall be installed by a qualified electrician and wired in accordance with the latest IEE electrical regulations or the national requirements.
 - This luminaire is not suitable for use as emergency lighting.
 - The light source of this luminaire is not replaceable; when the light source reaches its end of life the whole luminaire shall be replaced.
 - If the external flexible cable or cord of this luminaire is damaged, it shall be exclusively replaced by the manufacturer or his service agent or a similar qualified person in order to avoid a hazard.
 - Clean with dry cloth.
- 
- ATTENTION**
OBSERVE PRECAUTIONS
FOR HANDLING
ELECTROSTATIC
SENSITIVE
DEVICES



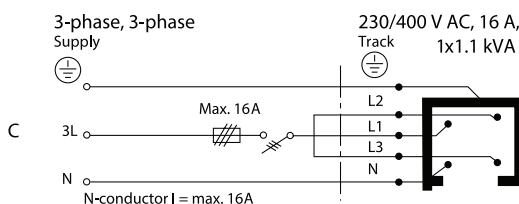
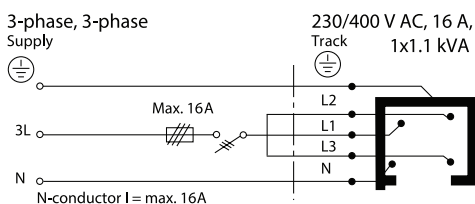
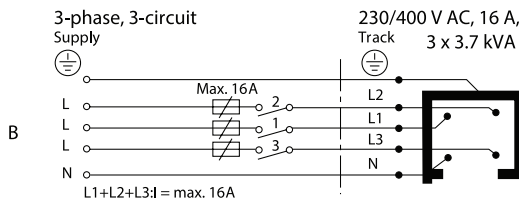
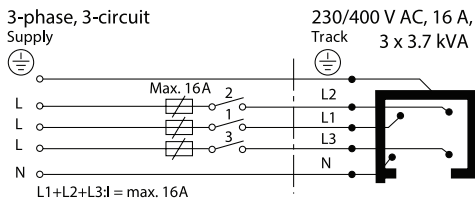
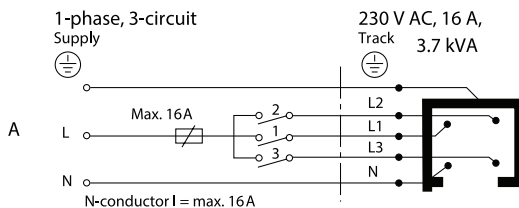
Track-mounted (T)

GLOBAL Trac connecting diagrams

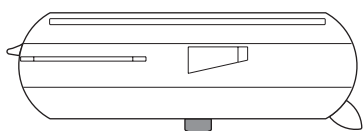
GLOBAL Trac Pro none dimming



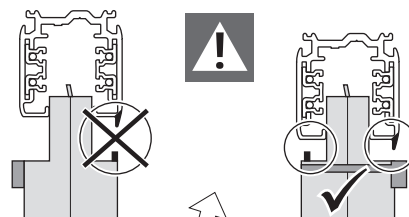
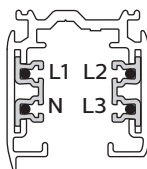
GLOBAL Trac Pulse control DALI dimming



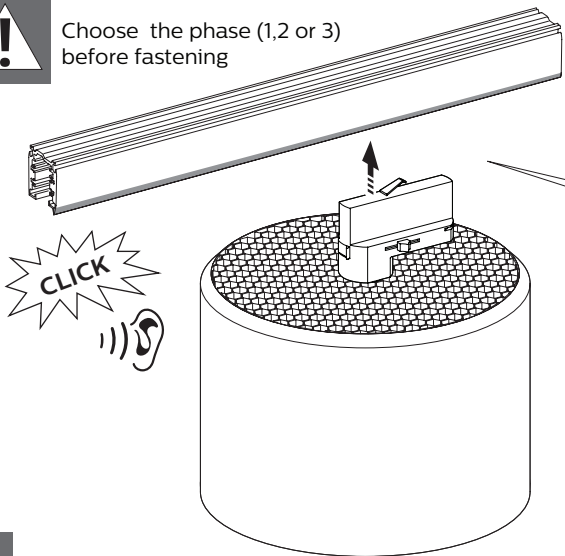
1



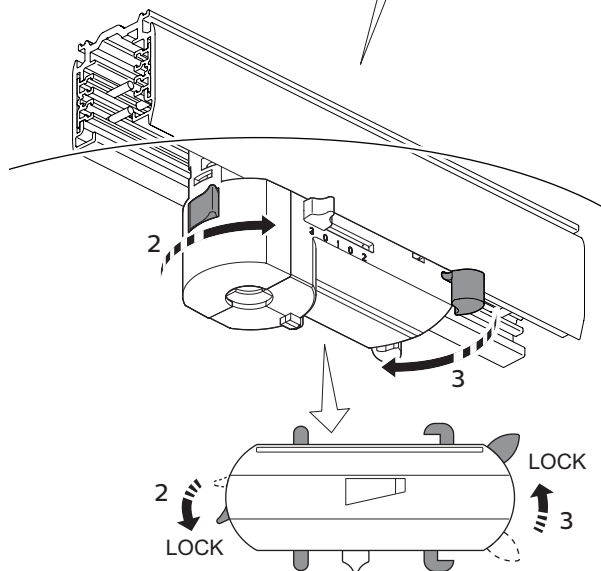
3-0-1-0-2



Choose the phase (1, 2 or 3) before fastening



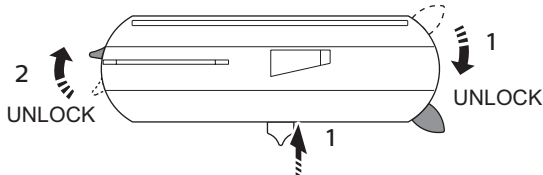
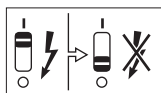
2



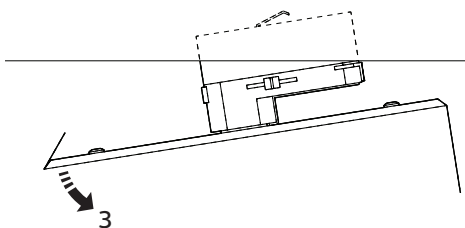
Unlock



Never shift the luminaire while light is on.

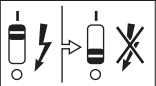


3

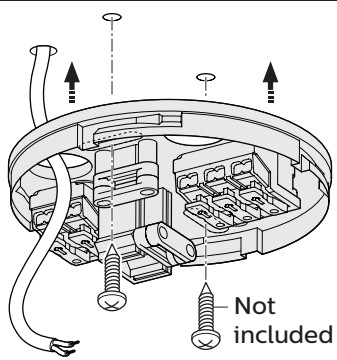




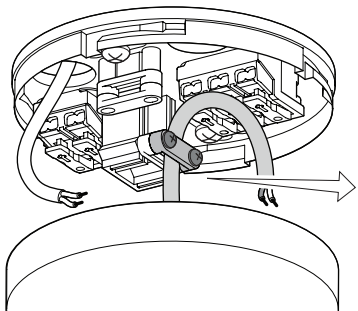
Pendant (P)



1

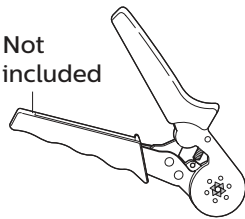


2



T10
0.8Nm

Not included



PSU

Yellow-Green
Brown or black
Blue



0.8Nm

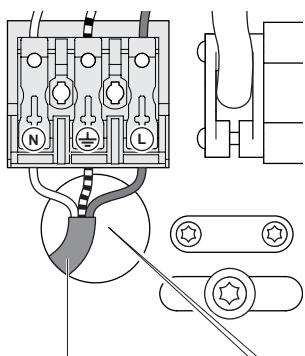
3x (Included)
5x (Included)

DALI

	N	L	DA+	DA-
Alu/transparent cable	Blue	Black	Violet	Orange
Black/white cable	Blue	Brown	Grey	Black

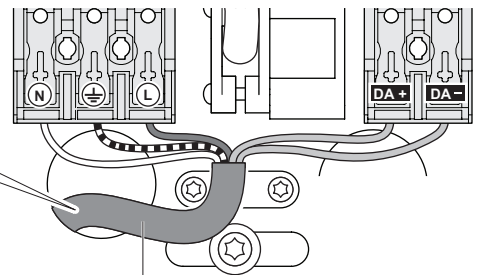
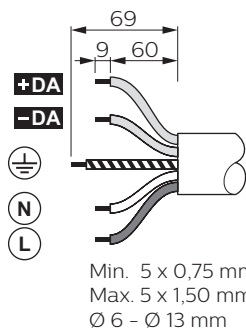


PSU



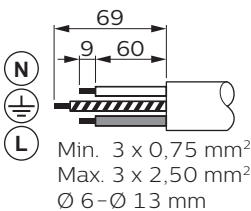
Only for 'fixed installation cable'. Flexible installation cables need to go through strain relief.

DALI

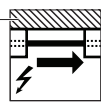


Only for 'fixed installation cable'. Flexible installation cables need to go through strain relief.

4a

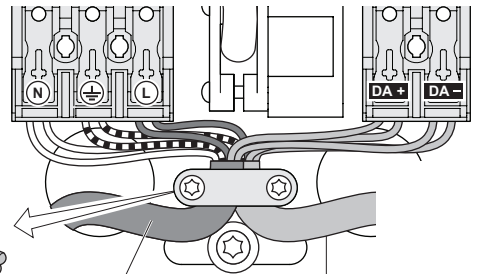


Only for 'fixed installation cable'. Flexible installation cables need to go through strain relief.



through-wiring possible. Outgoing cable needs to go through strain-relief when it is not fixed to the installation.

T10
0.8Nm



Outgoing cable needs to go through strain-relief when it is not fixed to the installation.

Only for 'fixed installation cable'. Flexible installation cables need to go through strain relief.

4b





© 2020 Signify Holding.

All rights reserved. This document contains information relating to the product portfolio of Signify which information may be subject to change. No representation or warranty as to the accuracy or completeness of the information included herein is given and any liability for any action in reliance thereon is disclaimed. The information presented in this document is not intended as any commercial offer and does not form part of any quotation or contract. Philips and the Philips Shield Emblem are registered trademarks of Koninklijke Philips N.V.. All other trademarks are owned by Signify Holding or their respective owners.

Signify Holding.
The Netherlands